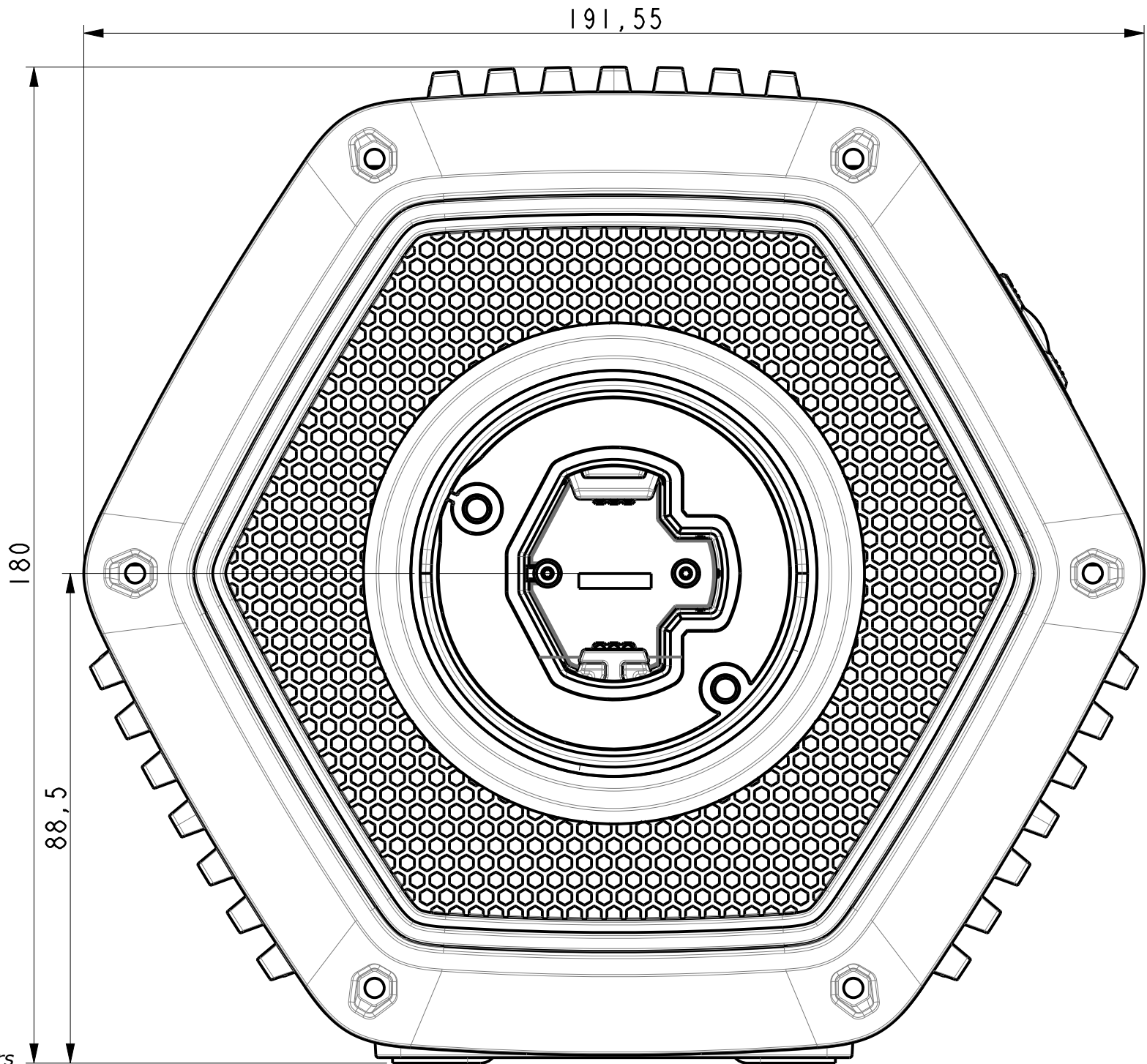


T818
Base

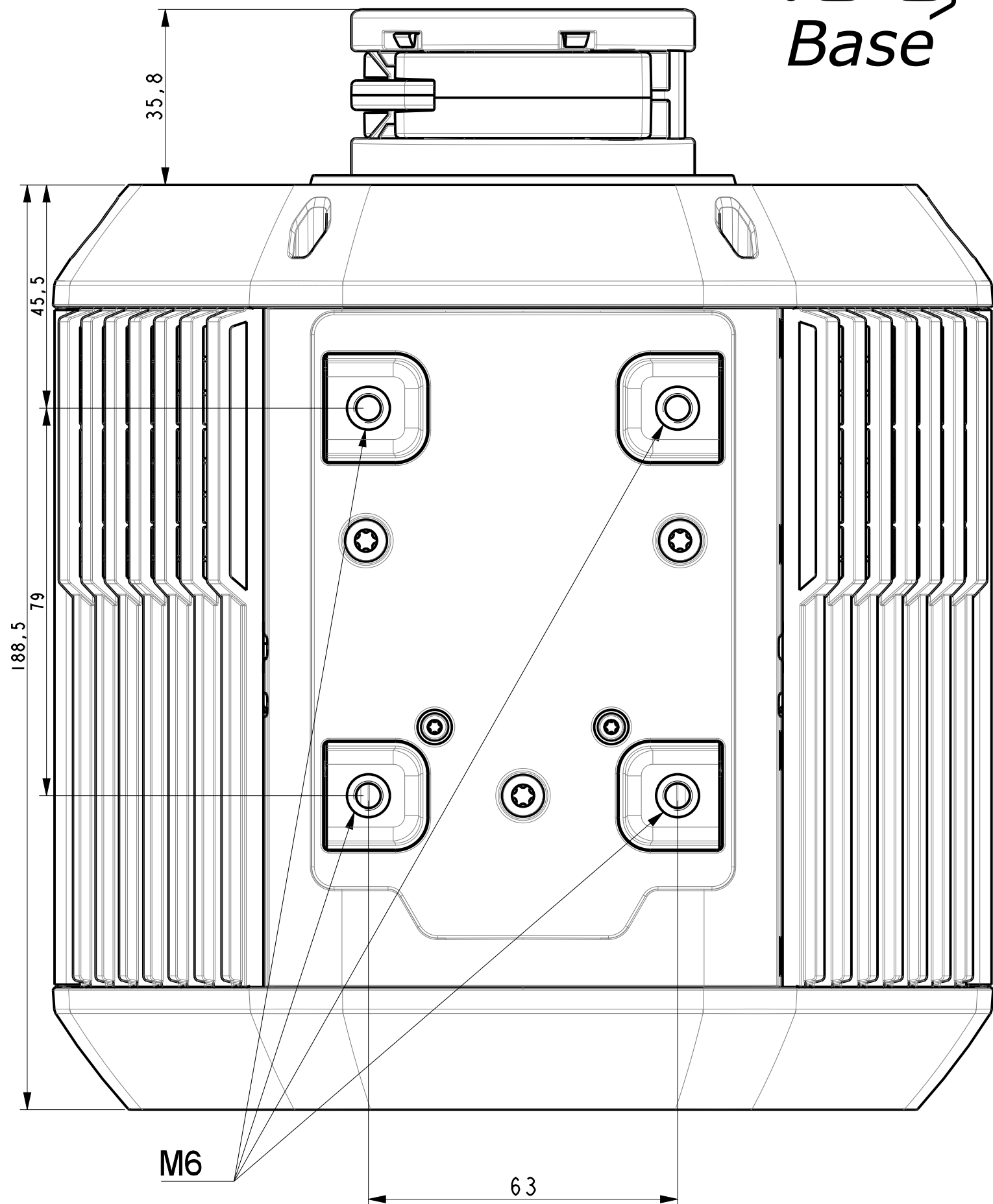


SCALE: 1,000
All dimensions are in millimeters

To drill the holes on the cockpit, be sure to print the template at actual size (1/1 scale).

After printing, check the distances with a ruler

T818 Base



M6

63

M6 screws not included with the T818 base
- Max length 25mm -

SCALE: 1,000

All dimensions are in millimeters