

## Europe, Middle East

ENGLISH

FRANÇAIS

DEUTSCH

NEDERLANDS

ITALIANO

ESPAÑOL

PORTUGUÊS

РУССКИЙ

ČESTINA

TÜRKÇE

POLSKI

SVENSKA

SUOMI

SLOVENCINA

MAGYAR NYELV

עברית

العربية

## North America/

### Norteamérica

ENGLISH

FRANÇAIS

ESPAÑOL

## Latin America/

### América Latina

ENGLISH

ESPAÑOL

PORTUGUÊS

## Asia Pacific

日本語

简体中文

繁體中文

한국어

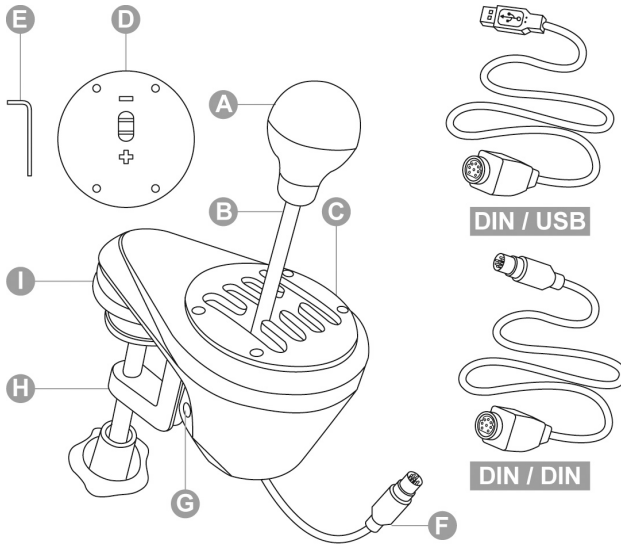
ENGLISH

# **THRUSTMASTER®**

# TH0A

ADD-ON SHIFTER

## PlayStation®4/PlayStation®5 – Xbox One/Xbox Series – PC User Manual



### TECHNICAL FEATURES

- A** Removable gear shift knob  
*(not installed by default)*
  - B** Stick
  - C** Adjustable “H-pattern (7+1)” shift plate  
*(installed by default)*
  - D** Adjustable “Sequential (+/-)” shift plate  
*(not installed by default)*
  - E** 2.5 mm Allen key (included)
  - F** Cable and DIN connector
  - G** Internal tensioning screw
  - H** Adjustable clamping system
  - I** “Screw threads” for cockpit mounting
- DIN / USB** Detachable DIN / USB cable  
**DIN / DIN** Detachable DIN / DIN cable

## WARNING

Before using this product, be sure to read through this manual carefully. Retain this manual for future reference.



### **Warning – Electric shock**

- \* Keep this product in a dry place, and do not expose it to dust or sunlight.
- \* Respect the direction of insertion for connectors.
- \* Do not twist or pull on the connectors and cables.
- \* Do not spill liquid on the product or its connector.
- \* Do not short-circuit the product.
- \* Do not dismantle this product (apart from for the possible adjustments described in this manual), do not attempt to burn the product and do not expose the product to high temperatures.



### **Warning – Injuries due to repetitive movements**

Playing with a shifter may result in muscle and joint pains. To avoid any problems:

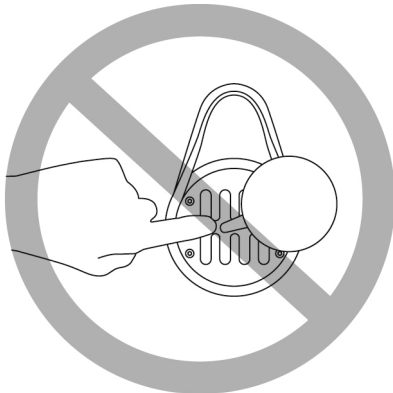
- \* Avoid playing for extended periods of time.
- \* Take a 10 to 15 minutes break after each hour of playing.
- \* Should you experience fatigue or pain in your hands, wrists or arms, stop playing and rest for a few hours before starting to play again.
- \* If the symptoms or pains described above persist when you resume playing, stop playing and consult your doctor.
- \* Verify that the base of the shifter is properly mounted, as described in the instructions found in this manual.



### **Warning – Pinching risk in shift plate openings**

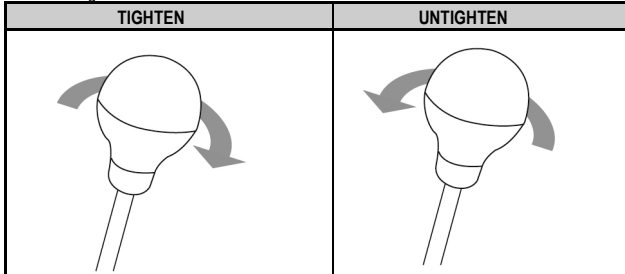
- \* Keep out of the reach of children.
- \* When playing a game, never place your fingers (or any other parts of your body) in the openings in the shift plates.

**NEVER**



## INSTALLING THE GEAR SHIFT KNOB

1. To screw the gear shift knob (**A**) onto its stick (**B**): turn the gear shift knob clockwise.
2. To unscrew the gear shift knob: turn the knob counterclockwise.



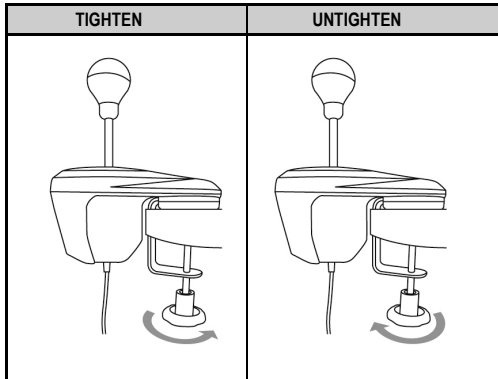
## MOUNTING THE SHIFTER

Mounting is optimized for any type of support:

- **Tables, desks or shelves** from 1 to 55 mm in thickness, via the clamping system (**H**).
- **Cockpits**, via the built-in "screw threads" (the clamping system is removable).

### Mounting the shifter on a table or desk

1. Place the nose of the shifter on a table or other flat surface.
2. To tighten: turn the clamping wheel counterclockwise.
3. To untighten: turn the clamping wheel clockwise.

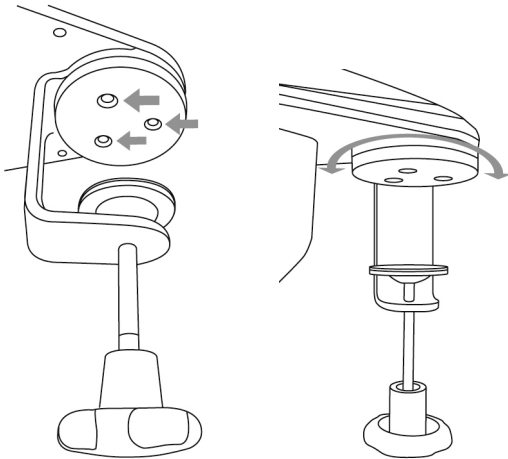




## Positioning and rotating the clamping system (can be adjusted by 360°)

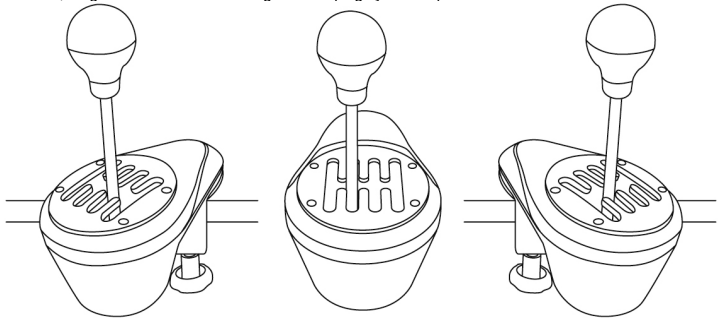
1. Using the included 2.5 mm Allen key (**E**), very slightly unscrew the 3 screws holding the clamping system (**H**) in place.

The clamping system (and therefore the entire shifter) can now be rotated manually by 360°.



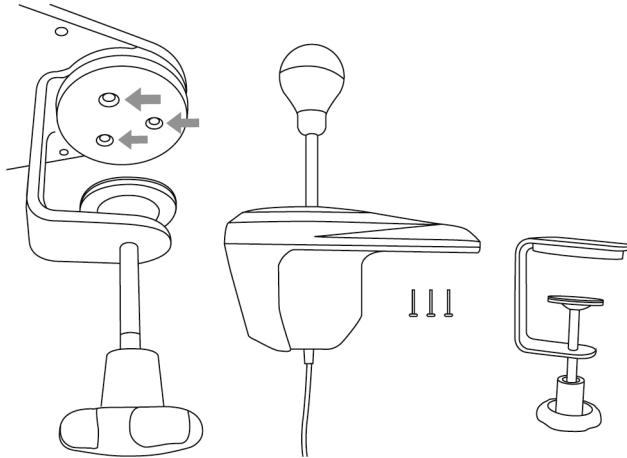
2. Select your preferred position along the 360° of rotation (3 examples are shown below, among the many other possibilities available).

Next, retighten the 3 screws holding the clamping system in place.

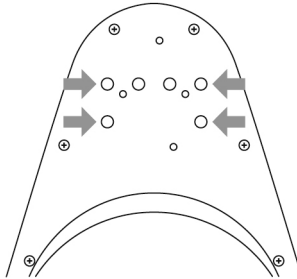


## Mounting the shifter in a cockpit

- Using the included 2.5 mm Allen key (**E**), **completely unscrew and remove** the 3 screws holding the clamping system (**H**) in place. Detach the clamping system from the shifter.



- Once the clamping system has been removed, screw 2 "M6" screws (not included) into the cockpit shelf, and into 2 of the 4 small "screw threads" (**I**) located on the underside of the shifter's nose.



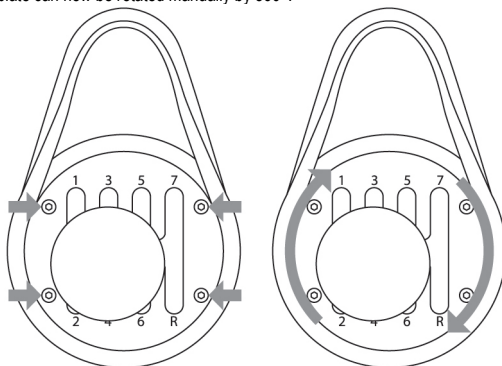
**Be sure not to use "M6" screws that are too long, which may pierce and damage the upper part of the shifter's nose.**

A shifter mounting template for cockpits is available at <https://support.thrustmaster.com>. Click Racing Wheels / TH8A Shifter, and then select Manual.

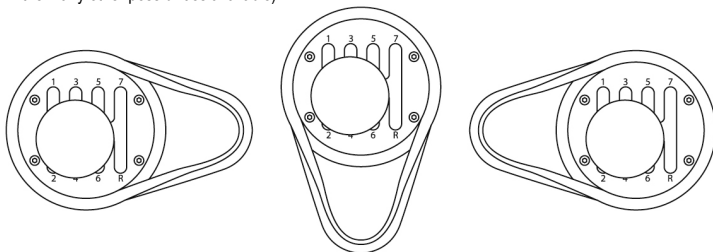
## POSITIONING AND ROTATING THE SHIFT PLATES (CAN BE ADJUSTED BY 360°)

1. Using the included 2.5 mm Allen key (**E**), slightly unscrew the 4 screws holding the shift plate (**C or D**) in place.

The shift plate can now be rotated manually by 360°.



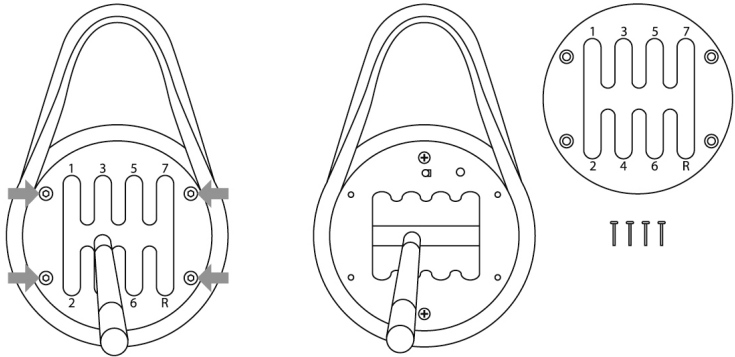
2. Select your preferred position along the 360° of rotation (3 examples are shown below, among the many other possibilities available).



3. Retighten the 4 screws holding the shift plate in place.

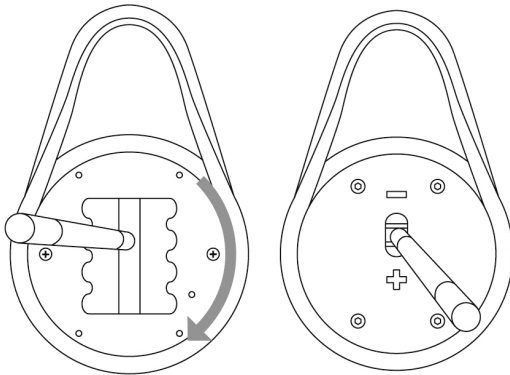
## SWITCHING FROM THE “H-PATTERN (7+1)” SHIFT PLATE TO THE “SEQUENTIAL (+/-)” SHIFT PLATE

1. Unscrew (counterclockwise) and remove the gear shift knob (A).
2. Using the included 2.5 mm Allen key (E), **completely unscrew and remove** the 4 screws holding the “H-pattern (7+1)” shift plate in place. Remove the shift plate.

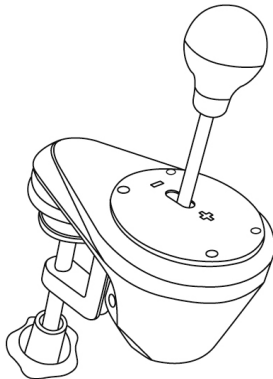


**During this procedure, take care not to accidentally let any of the screws fall inside the internal mechanism.**

3. Manually rotate the internal structure 90° to the right (clockwise).  
Next, install the “Sequential (+/-)” shift plate.

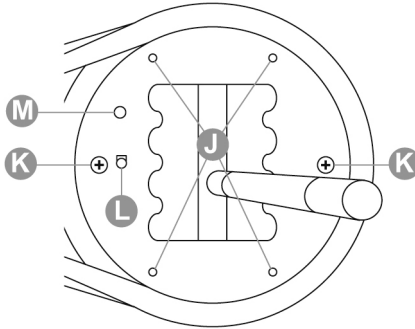


4. Using the included 2.5 mm Allen key (**E**), replace and completely retighten the 4 screws holding the "Sequential (+/-)" shift plate in place. Screw the gear shift knob back on (clockwise).



**Carry out this procedure in reverse to replace the "H-pattern (7+1)" shift plate.**

## Notes regarding the internal structure's top cover:



**J:** 4 "screw threads" to attach the shift plates (**C or D**).

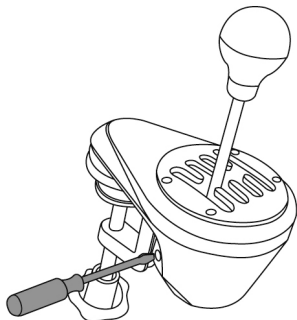
**K:** 2 screws which hold the internal structure in place (do not unscrew).

**L:** Button which automatically detects the type of shift plate used (**C or D**). Is pressed **automatically** when the "Sequential (+/-)" shift plate is installed. Keep this area clean in order to avoid any detection problems.

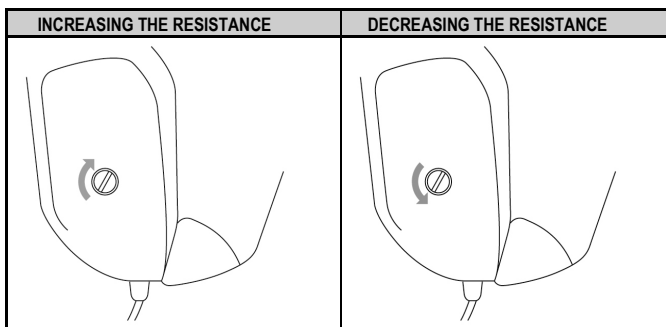
**M:** Slot for easier positioning of the shift plates.

## ADJUSTING THE GEAR SHIFT RESISTANCE

- \* Only applies to the “H-pattern (7+1)” shift plate.
- \* Before making any adjustments, the “H-pattern (7+1)” shift plate **must** be installed in its original position (please see the diagram below).



1. Using a large flat head screwdriver, place the screwdriver in the head of the internal tensioning screw (G) located in the lower left section of the shifter's housing.
2. To slightly increase the resistance: turn the screw clockwise.
3. To slightly decrease the resistance: turn the screw counterclockwise.



**2 full turns are enough to go from one extreme to the other.**



### To avoid damaging the system:

- Stop tightening the screw when you feel strong resistance.
- Stop untightening the screw if the stick becomes loose and wobbly.

## SETUP INSTRUCTIONS FOR GAME CONSOLES

### PLAYSTATION®4/PLAYSTATION®5

According to the PS4™/PS5™ game or the racing wheel that you are using:

**PS4™ = Connect(\*) the TH8A shifter directly to the PS4™'s USB port**

- Connect the TH8A shifter's DIN connector to the DIN / USB cable.
- Connect the TH8A shifter to one of your PS4™'s USB ports.
- Start the game.

The TH8A shifter can then operate with either the H-PATTERN (7+1) or SEQUENTIAL (+/-) shift plates.

Or

**PS4™/PS5™ = Connect(\*) the TH8A shifter directly to the Thrustmaster racing wheel's base**

(only applicable if your Thrustmaster racing wheel features a built-in shifter connector)

- Connect the TH8A shifter's DIN connector to the DIN / DIN detachable cable.
- Connect the TH8A shifter to the shifter connector located at the back of the racing wheel's base.
- Connect your racing wheel, then start the game.

The TH8A shifter can then operate with either the H-PATTERN (7+1) or SEQUENTIAL (+/-) shift plates.

(\*) **Important recommendations for the PS4™/PS5™ system** (applicable only if using a Thrustmaster racing wheel featuring a built-in shifter connector)

- PS4™/PS5™ : When using the TH8A shifter's SEQUENTIAL (+/-) shift plate, you can also connect the shifter at the back of the racing wheel using the detachable DIN / DIN cable. The TH8A shifter is then connected to the racing wheel's UP (= R1) and DOWN (= L1) paddle shifters. With this racing wheel, the TH8A shifter's SEQUENTIAL (+ /-) shift plate functions with 100% of racing games for PS4™/PS5™ that are compatible with the racing wheel.

- PS4™: Some games enable you to use two TH8A shifters simultaneously:

- One TH8A shifter with an H-PATTERN (7+1) shift plate, connected to the PS4™'s USB port
- + One TH8A shifter with a SEQUENTIAL (+/-) shift plate, connected to the back of the racing wheel

\* A list of games for PS4™/PS5™ that are compatible with the TH8A shifter and the relevant connection instructions(\*) (which vary according to games) are available here: <https://support.thrustmaster.com> Click Racing Wheels / TH8A Shifter, and then select Games settings. This list is updated regularly.

\* On PS4™ systems, we recommend that you do not use a USB hub when connecting the racing wheel or the TH8A shifter; connect the device directly to the PS4™'s USB ports.

\* Some games require that you install the latest available updates for the TH8A shifter to function correctly (your games console must be connected to the internet).



## XBOX ONE/XBOX SERIES

**= With all Xbox One/Xbox Series games, always connect the TH8A shifter directly to the Thrustmaster racing wheel's base (NEVER to the game console's USB port).**

- Connect the TH8A shifter's DIN connector to the DIN / DIN detachable cable.
- Connect the TH8A shifter to the shifter connector located at the back of the racing wheel's base.
- Connect your racing wheel, then start the game.

**The TH8A shifter can then operate with either the H-PATTERN (7+1) or SEQUENTIAL (+/-) shift plates.**

### **Important note about the Xbox One/Xbox Series:**

When using the TH8A shifter's SEQUENTIAL (+/-) shift plate, the shifter is connected to the racing wheel's UP (= RB) and DOWN (= LB) paddle shifters.

**When using the TH8A shifter's SEQUENTIAL (+/-) shift plate, the TH8A shifter functions with 100% of racing games for Xbox One/Xbox Series that are compatible with the Thrustmaster racing wheel for Xbox One/Xbox Series.**

\* A list of games for Xbox One/Xbox Series that are compatible with the TH8A shifter is available here:

<https://support.thrustmaster.com>. Click Racing Wheels / TH8A Shifter, and then select Games settings. This list is updated regularly.

\* Some games require that you install the latest available updates for the TH8A shifter to function correctly (your games console must be connected to the internet).



**To ensure compatibility of your Thrustmaster racing wheel for Xbox One/Xbox Series with the TH8A shifter, you may be required to update the racing wheel's firmware with the latest version available via PC here: <https://support.thrustmaster.com>. Click Racing Wheels / TH8A Shifter, and then select Firmware.**

## SETUP INSTRUCTIONS FOR PC

= **With all PC games(\*)**, always connect the TH8A shifter directly to one of the PC's USB ports.

- Connect the TH8A shifter's **DIN** connector to the **DIN / USB** cable.
- Connect the TH8A shifter to one of your PC's USB ports.
- When connected to a PC, the TH8A shifter is a Plug & Play device and is automatically detected and installed.
- The device then appears as 'T500 RS Gear Shift' in the Windows® Control Panel.
- Click Properties to test and view the device's features.
- Start the game.

**You are now ready to race!**

(\*) **Important recommendations for PCs** (applicable only if using a Thrustmaster racing wheel featuring a built-in shifter connector)

- **When using the TH8A shifter's SEQUENTIAL (+/-) shift plate, you can also connect the shifter at the back of the racing wheel using the detachable DIN / DIN cable.** The TH8A shifter is then connected to the racing wheel's UP (= 2) and DOWN (= 1) paddle shifters.

With this racing wheel, the TH8A shifter's SEQUENTIAL (+ /-) shift plate functions with 100% of racing games for PC that are compatible with the racing wheel.

- Some games enable you to **use two TH8A shifters simultaneously**:

- One TH8A shifter with an H-PATTERN (7+1) shift plate, connected to the PC's USB port
- + One TH8A shifter with a SEQUENTIAL (+/-) shift plate, connected to the back of the racing wheel

\* On PC, the Thrustmaster shifter is compatible with:

- all games supporting MULTI-USB and shifters.
- all wheels on the market.

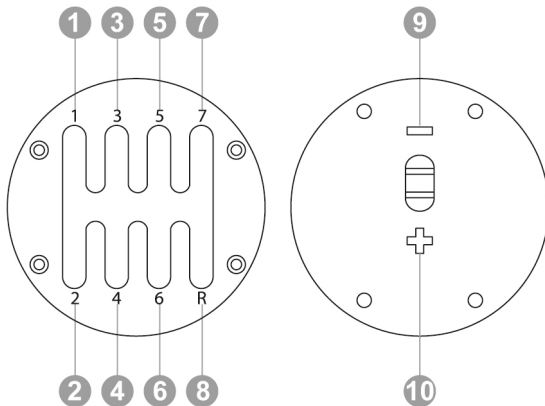
\* We recommend connecting your racing wheel and TH8A shifter directly to your PC's USB 2.0 (not USB 3.0) ports, without using a hub.

\* For some PC games, you **must** install the latest available game updates in order for the TH8A shifter to function properly.

\* For some PC games (in order to avoid any conflicts between the wheel and the TH8A shifter), it may be necessary:

- not to map anything onto the wheel's gear shift paddles.
- to enable the "Hold button for gear" function.

## MAPPING ON PC



## SOFTWARE PACKAGE

A software package for PC is available here:

<https://support.thrustmaster.com>. Click Racing Wheels / TH8A Shifter, and then select Drivers.

- After installing the software package, you will be able to:

- \* check your TH8A shifter's firmware version.
- \* update the firmware (if necessary) with the latest available version.
- \* use the "BOOTLOADER Method" (to restore your shifter, in the event of loss of firmware).
- \* access a customized Control Panel (game controller) on PC.
- \* on PC, enjoy the ANALOG mode (handbrake)

## ADVANCED CALIBRATION SOFTWARE

The TH8A gear shift calibration is automatically carried out.

An advanced calibration software application for PC is also available here: <https://support.thrustmaster.com>. Click Racing Wheels / TH8A Shifter, and then select Software. It allows you to adjust the gear shift travel to your convenience.

When the settings are complete, they are instantly saved into the internal gear shift memory (and can be used on PS4™/PS5™, Xbox One/Xbox Series and PC).

## SUMMARY INSTRUCTIONS FOR CONNECTING THE TH8A SHIFTER TO VARIOUS SYSTEMS

	Connect the TH8A shifter
PS4™	<u>According to the game or racing wheel (*) :</u> - Either directly to the PS4™/PS5™ system (USB) - Or at the back of the racing wheel (DIN)
PS5™	Always at the back of the racing wheel (DIN)
XBOX ONE/XBOX SERIES	Always at the back of the racing wheel (DIN)
PC	Always(*) directly to the PC (USB)

(\*) For more information regarding any exceptions, please refer to the **Important recommendations** sections on the manual's relevant pages.

### WARNING

\* Never connect the TH8A shifter directly to any device other than a Thrustmaster racing wheel, even if the device features an identical DIN connector. This could cause damage to the TH8A shifter or the other device.

### TROUBLESHOOTING

\* My shifter is not functioning correctly, or seems to be improperly calibrated:

- Turn off your computer or console, disconnect your shifter, reconnect it and then restart your game.
- In your game, under "Options/Controller", select or set up the most appropriate configuration.
- Refer to your game's user manual or online help for more information.
  
- Various help topics and tips (not included in this manual), a list of compatible games, etc. are available on the <https://support.thrustmaster.com> website. Click Racing Wheels / TH8A Shifter.
  
- On Xbox One/Xbox Series, to ensure compatibility of your Thrustmaster racing wheel for Xbox One/Xbox Series with the TH8A shifter, you may be required to update the racing wheel's firmware with the latest version available via PC here: <https://support.thrustmaster.com>. Click Racing Wheels / TH8A Shifter, and then select Firmware.

## **CONSUMER WARRANTY INFORMATION**

Worldwide, Guillemot Corporation S.A., whose registered office is located at Place du Granier, B.P. 97143, 35571 Chantepie, France (hereinafter "Guillemot") warrants to the consumer that this Thrustmaster product shall be free from defects in materials and workmanship, for a warranty period which corresponds to the time limit to bring an action for conformity with respect to this product. In the countries of the European Union, this corresponds to a period of two (2) years from delivery of the Thrustmaster product. In other countries, the warranty period corresponds to the time limit to bring an action for conformity with respect to the Thrustmaster product according to applicable laws of the country in which the consumer was domiciled on the date of purchase of the Thrustmaster product (if no such action exists in the corresponding country, then the warranty period shall be one (1) year from the original date of purchase of the Thrustmaster product).

Notwithstanding the above, rechargeable batteries are covered by a warranty period of six (6) months from the date of original purchase.

Should the product appear to be defective during the warranty period, immediately contact Technical Support, who will indicate the procedure to follow. If the defect is confirmed, the product must be returned to its place of purchase (or any other location indicated by Technical Support).

Within the context of this warranty, the consumer's defective product shall, at Technical Support's option, be either replaced or returned to working order. If, during the warranty period, the Thrustmaster product is subject to such reconditioning, any period of at least seven (7) days during which the product is out of use shall be added to the remaining warranty period (this period runs from the date of the consumer's request for intervention or from the date on which the product in question is made available for reconditioning, if the date on which the product is made available for reconditioning is subsequent to the date of the request for intervention). If permitted under applicable law, the full liability of Guillemot and its subsidiaries (including for consequential damages) is limited to the return to working order or the replacement of the Thrustmaster product. If permitted under applicable law, Guillemot disclaims all warranties of merchantability or fitness for a particular purpose.

This warranty shall not apply: (1) if the product has been modified, opened, altered, or has suffered damage as a result of inappropriate or abusive use, negligence, an accident, normal wear, or any other cause unrelated to a material or manufacturing defect (including, but not limited to, combining the Thrustmaster product with any unsuitable element, including in particular power supplies, rechargeable batteries, chargers, or any other elements not supplied by Guillemot for this product); (2) if the product has been used for any use other than home use, including for professional or commercial purposes (game rooms, training, competitions, for example); (3) in the event of failure to comply with the instructions provided by Technical Support; (4) to software, said software being subject to a specific warranty; (5) to consumables (elements to be replaced over the product's lifespan: disposable batteries, audio headset or headphone ear pads, for example); (6) to accessories (cables, cases, pouches, bags, wrist-straps, for example); (7) if the product was sold at public auction.

This warranty is nontransferable.

The consumer's legal rights with respect to laws applicable to the sale of consumer goods in his or her country are not affected by this warranty.

### Additional warranty provisions

During the warranty period, Guillemot shall not provide, in principle, any spare parts, as Technical Support is the only party authorized to open and/or recondition any Thrustmaster product (with the exception of any reconditioning procedures which Technical Support may request that the consumer carry out, by way of written instructions – for example, due to the simplicity and the lack of confidentiality of the reconditioning process – and by providing the consumer with the required spare part(s), where applicable).

Given its innovation cycles and in order to protect its know-how and trade secrets, Guillemot shall not provide, in principle, any reconditioning notification or spare parts for any Thrustmaster product whose warranty period has expired.

In the United States of America and in Canada, this warranty is limited to the product's internal mechanism and external housing. In no event shall Guillemot or its affiliates be held liable to any third party for any consequential or incidental damages resulting from the breach of any express or implied warranties. Some States/Provinces do not allow limitation on how long an implied warranty lasts or exclusion or limitation of liability for consequential or incidental damages, so the above limitations or exclusions may not apply to you. This warranty gives you specific legal rights, and you may also have other rights which vary from State to State or Province to Province.

### Liability

If permitted under applicable law, Guillemot Corporation S.A. (hereinafter "Guillemot") and its subsidiaries disclaim all liability for any damages caused by one or more of the following: (1) the product has been modified, opened or altered; (2) failure to comply with assembly instructions; (3) inappropriate or abusive use, negligence, an accident (an impact, for example); (4) normal wear; (5) the use of the product for any use other than home use, including for professional or commercial purposes (game rooms, training, competitions, for example). If permitted under applicable law, Guillemot and its subsidiaries disclaim all liability for any damages unrelated to a material or manufacturing defect with respect to the product (including, but not limited to, any damages caused directly or indirectly by any software, or by combining the Thrustmaster product with any unsuitable element, including in particular power supplies, rechargeable batteries, chargers, or any other elements not supplied by Guillemot for this product).

### FCC STATEMENT

1. This device complies with Part 15 of the FCC Rules. Operation is subject to the following two conditions:

- (1) This device may not cause harmful interference, and
- (2) This device must accept any interference received, including interference that may cause undesired operation.

2. Changes or modifications not expressly approved by the party responsible for compliance could void the user's authority to operate the equipment.

## COPYRIGHT

© 2021 Guillemot Corporation S.A. All rights reserved. Thrustmaster® is a registered trademark of Guillemot Corporation S.A. PlayStation® is a registered trademark of Sony Interactive Entertainment, Inc. Windows® is a registered trademark of Microsoft Corporation in the United States and/or in other countries. All other trademarks are the property of their respective owners. Illustrations not binding. Contents, designs and specifications are subject to change without notice and may vary from one country to another. Made in China.

## ENVIRONMENTAL PROTECTION RECOMMENDATION



\* In the European Union: At the end of its working life, this product should not be disposed of with standard household waste, but rather dropped off at a collection point for the disposal of Waste Electrical and Electronic Equipment (WEEE) for recycling.

This is confirmed by the symbol found on the product, user manual or packaging.

Depending on their characteristics, the materials may be recycled. Through recycling and other forms of processing Waste Electrical and Electronic Equipment,

you can make a significant contribution towards helping to protect the environment.

Please contact your local authorities for information on the collection point nearest you.

For all other countries: Please adhere to local recycling laws for electrical and electronic equipment.

Retain this information. Colours and decorations may vary.

Plastic fasteners and adhesives should be removed from the product before it is used.

[www.thrustmaster.com](http://www.thrustmaster.com)

*\*Applicable to EU, UK and Turkey only*



**THRUSTMASTER®**

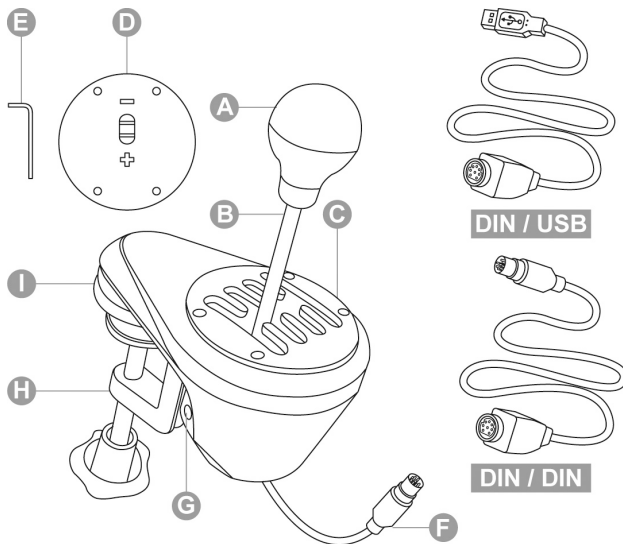
**TECHNICAL SUPPORT**

<https://support.thrustmaster.com>



## PlayStation®4/PlayStation®5 – Xbox One/Xbox Series – PC

### Manuel de l'utilisateur



### CARACTÉRISTIQUES TECHNIQUES

- |  |   |
|--|---|
| <b>A</b> Pommeau amovible<br>(non installé par défaut)                         | <b>F</b> Câble et connecteur DIN              |
| <b>B</b> Levier  | <b>G</b> Vis de tension interne               |
| <b>C</b> Grille « H (7+1) » orientable<br>(installé par défaut)                | <b>H</b> Système de fixation orientable       |
| <b>D</b> Grille « Séquentielle (+/-) » orientable<br>(non installé par défaut) | <b>I</b> « Pas de vis » pour fixation cockpit |
| <b>E</b> Clé Allen 2,5 mm fournie  | <b>DIN / USB</b> Câble détachable DIN / USB   |
|  | <b>DIN / DIN</b> Câble détachable DIN / DIN   |



## AVERTISSEMENT

Avant d'utiliser ce produit, lisez attentivement cette documentation et conservez-la pour pouvoir la consulter ultérieurement.



### **Avertissement – Chocs électriques**

- \* Conservez le produit dans un endroit sec et ne l'exposez ni à la poussière ni au soleil.
- \* Respectez les sens de branchement.
- \* Ne tordez pas et ne tirez pas sur les connecteurs et câbles.
- \* Ne renversez pas de liquide sur le produit et son connecteur.
- \* Ne mettez pas le produit en court-circuit.
- \* Ne démontez jamais le produit (hormis pour les réglages possibles notifiés dans ce manuel), ne le jetez pas au feu et ne l'exposez pas à des températures élevées.



### **Avertissement – Blessures dues aux mouvements répétitifs**

Jouer avec une boîte de vitesses peut causer des douleurs aux muscles et aux articulations. Afin d'éviter tout problème :

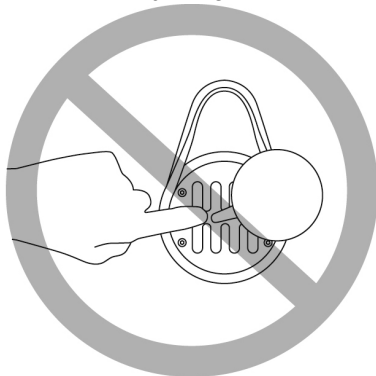
- \* Évitez les périodes trop longues de jeu.
- \* Faites une pause de 10 à 15 minutes après chaque heure de jeu.
- \* Si vous éprouvez fatigue ou douleur au niveau des mains, des poignets ou des bras, cessez de jouer et reposez-vous pendant quelques heures avant de recommencer à jouer.
- \* Si les symptômes ou les douleurs indiqués ci-dessus persistent lorsque vous reprenez le jeu, arrêtez de jouer et consultez votre médecin.
- \* Vérifiez que la base de la boîte de vitesses est correctement fixée, conformément aux instructions du manuel.



### **Avertissement – Risque de pincement au niveau des grilles de passage de vitesses**

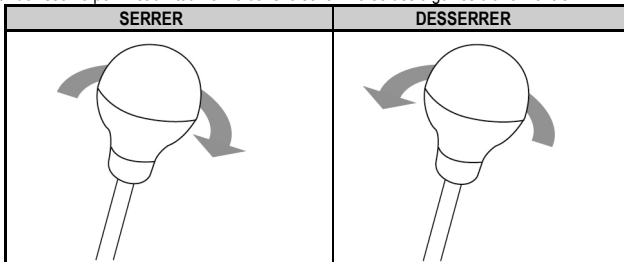
- \* Laissez hors de portée des enfants.
- \* Lors des phases de jeu, ne placez jamais vos doigts (ou autres parties du corps) dans les grilles de passage de vitesses

**JAMAIS**



## INSTALLATION DU POMMEAU

1. Pour visser le pommeau (A) sur son levier (B) : tournez le pommeau dans le sens des aiguilles d'une montre.
2. Pour dévisser le pommeau : tournez-le dans le sens inverse des aiguilles d'une montre.



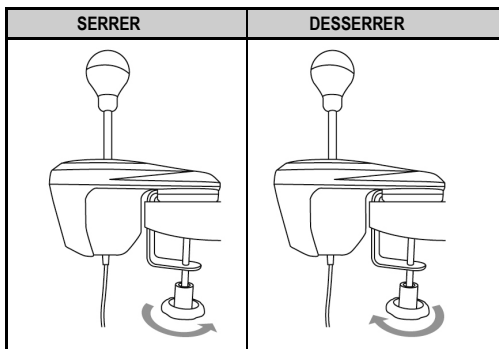
## FIXATION DE LA BOÎTE DE VITESSES

La fixation est optimisée pour tout type de support :

- Tables, bureaux ou tablettes de 1 à 55 mm d'épaisseur via le système de fixation (H)
- Cockpits via les « pas de vis » (I) intégrés (et le système de fixation qui est amovible)

### Fixer la boîte de vitesses sur une table ou un bureau

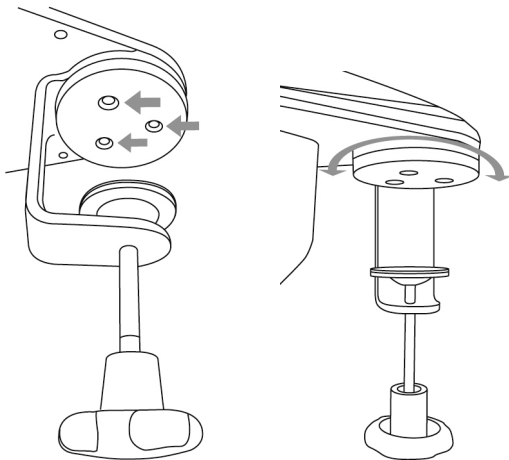
1. Placez le nez de la boîte de vitesses sur une table ou autre surface plane.
2. Pour serrer : tournez la molette de fixation dans le sens inverse des aiguilles d'une montre.
3. Pour desserrer : tournez la molette dans le sens des aiguilles d'une montre.



## Position et rotation du système de fixation (ajustable sur 360°)

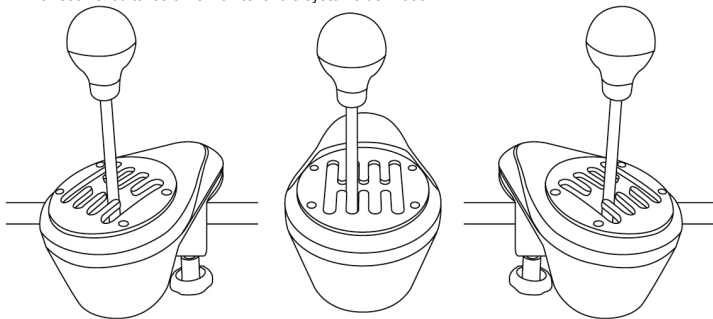
1. A l'aide de la clé Allen 2,5 mm fournie (**E**), dévissez très légèrement les 3 vis maintenant le système de fixation (**H**).

Le système de fixation (et donc l'ensemble de la boîte) peut alors tourner manuellement sur 360°



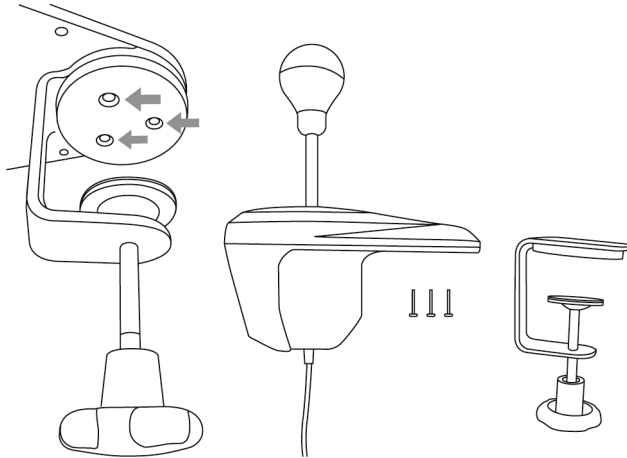
2. Choisissez votre position préférée sur 360° (3 exemples parmi de nombreuses autres possibilités sont illustrés ci-dessous).

Revissez ensuite les 3 vis maintenant le système de fixation.

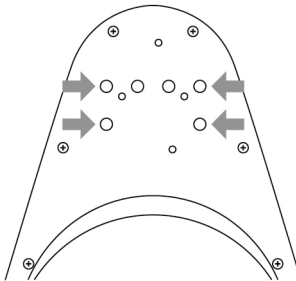


## Fixer la boîte de vitesses sur un cockpit

1. A l'aide de la clé Allen 2,5 mm fournie (E), dévissez complètement et retirez les 3 vis maintenant le système de fixation (H). Séparez-le ensuite de la boîte de vitesses.



2. Une fois le système de fixation enlevé, vissez 2 vis « M6 » (non fournies) dans la tablette du cockpit et dans 2 des 4 petits « pas de vis » (I) situés sous le nez inférieur de la boîte de vitesses.

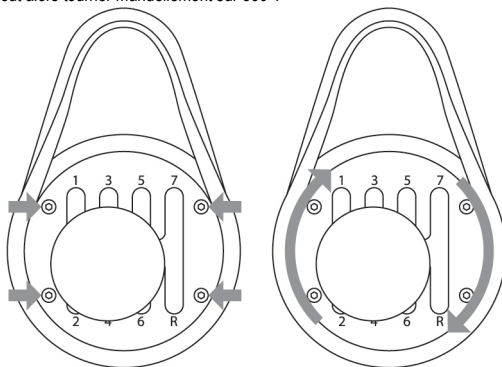


**N'utilisez pas de vis « M6 » trop longue qui pourrait transpercer et endommager le nez supérieur de la boîte de vitesses**

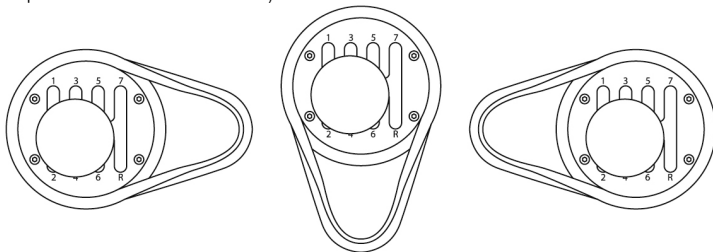
Plan d'implantation de la boîte de vitesse pour les cockpits disponible sur <https://support.thrustmaster.com> (cliquez sur Volants / TH8A Shifter puis Manuel utilisateur)

## POSITION ET ROTATION DES GRILLES (AJUSTABLES SUR 360°)

1. A l'aide de la clé Allen 2,5 mm fournie (E), dévissez légèrement les 4 vis maintenant la grille de passage de vitesses (C ou D).  
La grille peut alors tourner manuellement sur 360°.



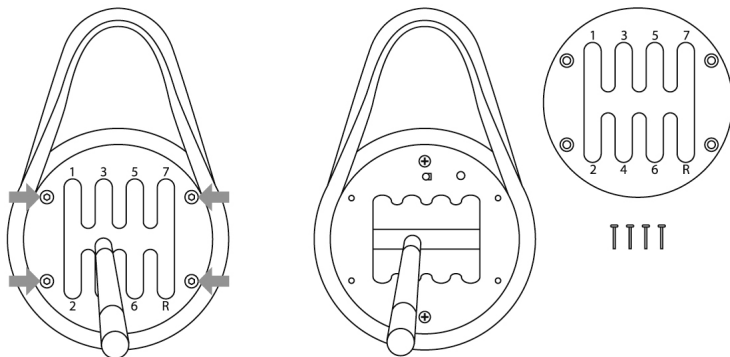
2. Choisissez votre position préférée sur 360° (3 exemples parmi de nombreuses autres possibilités sont illustrés ci-dessous)



3. Revissez les 4 vis maintenant la grille.

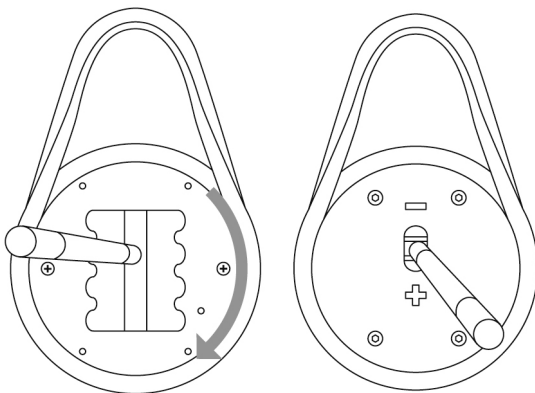
## BASCULER DE LA GRILLE « H (7+1) » A LA GRILLE « SEQUENTIELLE (+/-) »

1. Dévissez (dans le sens inverse des aiguilles d'une montre) et enlevez le pommeau (A).
2. A l'aide de la clé Allen 2,5 mm fournie (E), dévissez complètement les 4 vis maintenant la grille « H (7+1) ». Enlevez la grille.

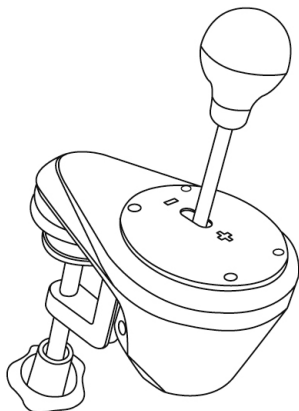


**Lors de cette opération, veillez à ne pas laisser tomber accidentellement  
l'une des vis à l'intérieur du mécanisme interne.**

3. Tournez manuellement la structure interne de 90° vers la droite.  
Installez ensuite la grille « Séquentielle (+/-) ».

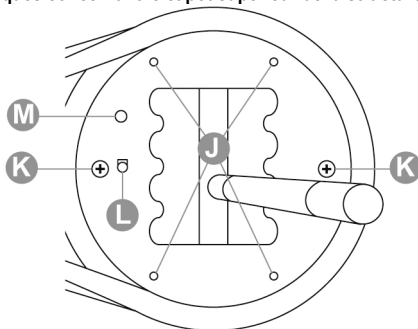


4. A l'aide de la clé Allen 2,5 mm fournie (E), revissez complètement les 4 vis maintenant la grille « Séquentielle (+/-) ». Revissez le pommeau.



**Effectuez l'opération inverse pour revenir à la grille « H (7+1) ».**

## Remarques concernant le capot supérieur de la structure interne :



**J** : 4 « Pas de vis » pour fixer les grilles (**C ou D**)

**K** : 2 Vis qui fixent la structure interne (ne pas dévisser).

**L** : Bouton d'auto-détection du type de grille utilisé (**C ou D**). Est appuyé **automatiquement** lorsque vous installez la grille « Séquentielle (+/-) ». Laissez propre pour éviter tout conflit de détection.

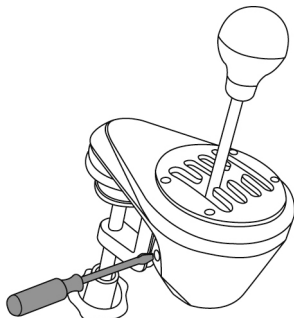
**M** : Détrompeur pour positionner les grilles plus facilement



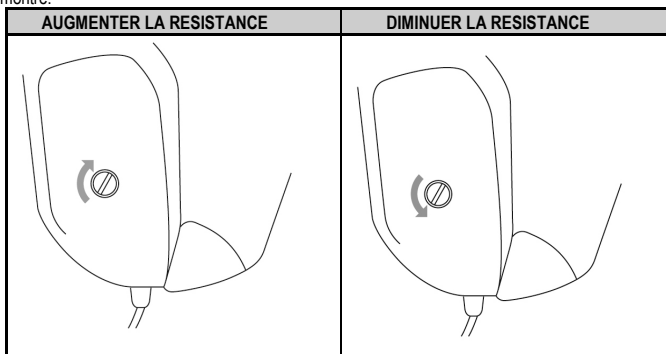
## AJUSTER LA RESISTANCE DU PASSAGE DES VITESSES

\* Ne fonctionne que pour la grille « H (7+1) »

\* Avant ajustement, la grille « H (7+1) » doit être impérativement installée en position originale (schéma ci-dessous)



1. A l'aide d'un large tournevis plat, accédez à l'embout de vis plat (G) situé en bas à gauche de la coque.
2. Pour augmenter légèrement la résistance : vissez dans le sens des aiguilles d'une montre.
3. Pour diminuer légèrement la résistance : dévissez dans le sens inverse des aiguilles d'une montre.



**2 tours complets suffisent pour passer d'un extrême à l'autre**



**Pour ne pas endommager le système :**

- Arrêtez de visser lorsque vous sentez une forte résistance.
- Arrêtez de dévisser lorsque le levier devient lâche et prend du jeu.

En fonction du jeu PS4™/PS5™ ou du volant utilisé :

## PS4™ = Branchez (\*) le TH8A directement sur le port USB de la PS4™

- Branchez le connecteur DIN du TH8A sur le câble DIN / USB.
- Branchez le TH8A sur l'un des ports USB de votre PS4™.
- Lancez votre jeu.

Le TH8A est alors fonctionnel avec grille H (7+1) ou grille SEQUENTIELLE (+/-).

Ou

## PS4™/PS5™ = Branchez (\*) le TH8A directement sur la base du volant Thrustmaster

(possible uniquement si votre volant Thrustmaster possède un connecteur de boîte de vitesses intégré)

- Branchez le connecteur DIN du TH8A au câble détachable DIN / DIN.
- Branchez le TH8A au connecteur pour la boîte de vitesses situé à l'arrière de la base du volant.
- Branchez votre volant, puis lancez le jeu.

Le TH8A est alors fonctionnel avec grille H (7+1) ou grille SEQUENTIELLE (+/-).

(\*) Astuces importantes sur PS4™/PS5™ (valables uniquement si vous utilisez un volant Thrustmaster avec connecteur de boîte de vitesses intégré)

- **PS4™/PS5™** : Lorsque la grille SEQUENTIELLE (+/-) du TH8A est installée, vous pouvez également brancher la boîte à l'arrière du volant à l'aide du câble détachable DIN / DIN. Dans ce cas, le TH8A est couplé avec les palettes de vitesses UP (= R1) et DOWN (= L1) du volant. Avec ce volant, le TH8A avec grille SEQUENTIELLE (+/-) est donc compatible dans 100% des jeux PS4™/PS5™ compatibles avec le volant.

- **PS4™** : En fonction des jeux, vous pouvez également utiliser deux TH8A simultanément :  
un TH8A avec grille H (7+1) branché sur le port USB de la PS4™  
+ un TH8A avec grille SEQUENTIELLE (+/-) branché à l'arrière du volant

\* La liste des jeux PS4™/PS5™ compatibles avec le TH8A et la procédure de branchement nécessaire (\*) en fonction du jeu utilisé sont disponibles ici : <https://support.thrustmaster.com> (cliquez sur Volants / TH8A Shifter puis Paramètres de jeux). Cette liste est régulièrement mise à jour.

\* Sur PS4™, il est conseillé de ne pas utiliser de hub pour la connexion USB (que ce soit pour le volant ou le TH8A) = branchez directement sur les ports USB de la PS4™.

\* Pour certains jeux, il est indispensable d'installer les dernières mises à jour disponibles pour que le TH8A soit fonctionnel (vous devez être connecté à Internet).

## XBOX ONE/XBOX SERIES

**= Pour tous les jeux Xbox One/Xbox Series, branchez toujours le TH8A directement à la base du volant Thrustmaster (et jamais sur le port USB de la console)**

- Branchez le connecteur **DIN** du TH8A sur le **câble détachable DIN / DIN**.
- Branchez le TH8A sur le connecteur pour la boîte de vitesses situé à l'arrière de la base du volant
- Branchez votre volant, puis lancez le jeu.

**Le TH8A est alors fonctionnel avec grille H (7+1) ou grille SEQUENTIELLE (+/-).**

### **Remarque importante sur Xbox One/Xbox Series :**

Lorsque la grille du TH8A est en mode « SEQUENTIELLE (+/-) », la boîte de vitesse est couplée avec les palettes de vitesses UP (= RB) & DOWN (= LB) de la roue du volant.

**Lorsque la grille SEQUENTIELLE (+/-) du TH8A est installée, le TH8A est compatible dans 100% des jeux Xbox One/Xbox Series compatibles avec le volant Thrustmaster Xbox One/Xbox Series.**

\* La liste des jeux Xbox One/Xbox Series compatibles avec le TH8A est disponible ici : <https://support.thrustmaster.com> (cliquez sur Volants / TH8A Shifter puis Paramètres de jeux). Cette liste est régulièrement actualisée.

\* Pour certains jeux, il est indispensable d'installer les dernières mises à jour disponibles pour que le TH8A soit fonctionnel (vous devez être connecté à Internet).



**Pour que votre volant Thrustmaster Xbox One/Xbox Series soit compatible avec le TH8A, il peut être nécessaire de mettre à jour le firmware du volant avec la dernière version disponible, via PC, à cette adresse : <https://support.thrustmaster.com> (cliquez sur Volants / TH8A Shifter puis Firmware).**

## INSTALLATION SUR PC

### = Pour tous les jeux PC (\*), branchez toujours le TH8A directement sur le port USB du PC.

- Branchez le connecteur DIN du TH8A sur le câble DIN / USB.
- Branchez le TH8A sur l'un des ports USB de votre PC
- Le TH8A est Plug & Play sur PC : votre périphérique sera alors automatiquement détecté et installé.
- Il apparaîtra dans le « Control Panel / Contrôleur de jeu » de Windows® sous le nom T500 RS Gear Shift.
- Cliquez sur Propriétés pour tester et visualiser ses fonctionnalités.
- Lancez le jeu.

**Vous êtes maintenant prêt à jouer !**

### (\* Astuces importantes sur PC (valables uniquement si vous utilisez un volant Thrustmaster avec connecteur de boîte de vitesses intégré)

- Lorsque la grille SEQUENTIELLE (+/-) du TH8A est installée, vous pouvez également brancher la boîte à l'arrière du volant à l'aide du câble détachable DIN / DIN. Dans ce cas, le TH8A est couplé avec les palettes de vitesses UP (= 2) et DOWN (= 1) du volant. Avec ce volant, le TH8A avec grille SEQUENTIELLE (+ /-) est compatible dans 100% des jeux PC compatibles avec le volant.
- En fonction des jeux, vous pouvez également utiliser deux TH8A simultanément :
  - un TH8A avec grille H (7+1) branché sur le port USB du PC
  - + un TH8A avec grille SEQUENTIELLE (+/-) branché à l'arrière du volant

\* Sur PC, la boîte de vitesses Thrustmaster est compatible :

- dans tous les jeux acceptant le MULTI-USB et les boîtes de vitesses
- avec tous les volants du marché

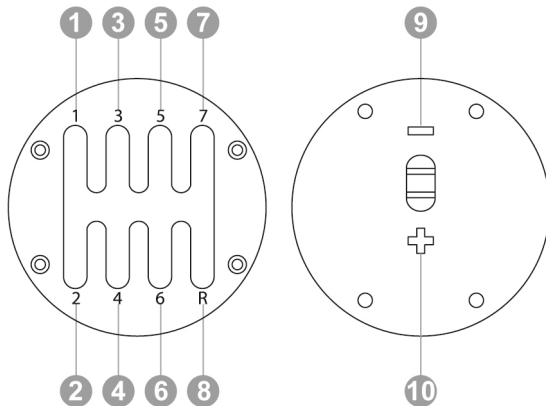
\* Il est préférable de brancher le volant et le TH8A directement sur les ports USB 2.0 (et non 3.0) de votre PC, sans utiliser de hub.

\* Pour certains jeux PC, il est indispensable d'installer les dernières mises à jour du jeu disponibles pour que le TH8A soit fonctionnel.

\* Dans certains jeux PC (pour éviter tout conflit entre le volant et le TH8A), il peut-être nécessaire :

- de ne rien configurer sur les palettes de changement de vitesses du volant
- d'activer la fonction « Bouton Pressé : Changement Vitesse »

## MAPPING SUR PC



## PACKAGE LOGICIEL

Sur PC, un package logiciel est disponible ici :

<https://support.thrustmaster.com> (cliquez sur Volants / TH8A Shifter puis Pilotes).

Une fois le package logiciel installé, vous pourrez :

- \* vérifier la version de firmware du TH8A
- \* mettre à jour (si nécessaire) le firmware avec la dernière version disponible
- \* utiliser la méthode BOOTLOADER (pour réveiller votre TH8A en cas de perte de firmware)
- \* profiter sur PC d'un Control Panel (Contrôleur de jeu) personnalisé
- \* profiter sur PC du mode ANALOG (Frein à main)

## LOGICIEL DE CALIBRATION AVANCEE

La calibration du TH8A est automatique.

Un logiciel de calibration avancée sur PC est également disponible ici : <https://support.thrustmaster.com> (cliquez sur Volants / TH8A Shifter puis Logiciel), **pour vous permettre d'ajuster à votre convenance la course des rapports.**

**Une fois les réglages effectués, ils seront instantanément sauvegardés dans la mémoire interne du TH8A (et seront opérationnels sur PS4™/PS5™, Xbox One/Xbox Series et PC).**

## RECAPITULATIF DE BRANCHEMENT DU TH8A EN FONCTION DE LA PLATEFORME UTILISÉE

	Branchez le TH8A
PS4™	<u>En fonction du jeu ou du volant utilisé (*) :</u> - soit sur la PS4™/PS5™ (USB) - soit à l'arrière du volant (DIN)
PS5™	Toujours à l'arrière du volant (DIN)
XBOX ONE/XBOX SERIES	Toujours à l'arrière du volant (DIN)
PC	Toujours (*) sur le PC (USB)

(\*) Pour connaître les exceptions, reportez-vous aux sections **Astuces importantes** dans les pages correspondantes du manuel.

### AVERTISSEMENT

\* Ne branchez jamais le TH8A directement sur un volant d'une marque autre que Thrustmaster, même si le connecteur DIN est compatible. Vous risquez d'endommager le TH8A ou le volant de l'autre marque.

### DEPANNAGE

\* Ma boîte de vitesses ne fonctionne pas correctement ou semble mal calibrée :

- Eteignez votre ordinateur ou votre console, débranchez votre boîte de vitesses, rebranchez-la et relancez votre jeu.

- Dans votre jeu, dans « Options / Contrôleur », choisissez ou paramétrez la configuration la mieux appropriée.

- Reportez-vous au manuel de l'utilisateur ou à l'aide en ligne de votre jeu pour plus d'informations.

- Aides et astuces diverses (non notifiées dans ce manuel), liste des jeux compatibles, etc. disponibles sur le site <https://support.thrustmaster.com>. Cliquez sur Volants / TH8A Shifter.

- Sur Xbox One/Xbox Series, pour que votre volant Thrustmaster Xbox One/Xbox Series soit compatible avec le TH8A, il peut être nécessaire de mettre à jour le firmware du volant avec la dernière version disponible, via PC, à cette adresse : <https://support.thrustmaster.com> (cliquez sur Volants / TH8A Shifter puis Firmware).

## INFORMATIONS RELATIVES A LA GARANTIE AUX CONSOMMATEURS

Dans le monde entier, Guillemot Corporation S.A., ayant son siège social Place du Granier, B.P. 97143, 35571 Chantepie, France (ci-après « Guillemot ») garantit au consommateur que le présent produit Thrustmaster est exempt de défaut matériel et de vice de fabrication, et ce, pour une période de garantie qui correspond au délai pour intenter une action en conformité de ce produit. Dans les pays de l'Union Européenne, ce délai est de deux (2) ans à compter de la délivrance du produit Thrustmaster. Dans les autres pays, la durée de la période de garantie correspond au délai pour intenter une action en conformité du produit Thrustmaster selon la législation en vigueur dans le pays où le consommateur avait son domicile lors de l'achat du produit Thrustmaster (si une telle action en conformité n'existe pas dans ce pays alors la période de garantie est de un (1) an à compter de la date d'achat d'origine du produit Thrustmaster).

Si, au cours de la période de garantie, le produit semble défectueux, contactez immédiatement le Support Technique qui vous indiquera la procédure à suivre. Si le défaut est confirmé, le produit devra être retourné à son lieu d'achat (ou tout autre lieu indiqué par le Support Technique).

Dans le cadre de la garantie, le consommateur bénéficiera, au choix du Support Technique, d'un remplacement ou d'une remise en état de marche du produit défectueux. Si, pendant la période de garantie, le produit Thrustmaster fait l'objet d'une telle remise en état, toute période d'immobilisation d'au moins sept jours vient s'ajouter à la durée de la garantie qui restait à courir (cette période court à compter de la demande d'intervention du consommateur ou de la mise à disposition pour remise en état du produit en cause, si cette mise à disposition est postérieure à la demande d'intervention). Lorsque la loi applicable l'autorise, toute responsabilité de Guillemot et ses filiales (y compris pour les dommages indirects) se limite à la remise en état de marche ou au remplacement du produit Thrustmaster. Lorsque la loi applicable l'autorise, Guillemot exclut toutes garanties de qualité marchande ou d'adaptation à un usage particulier.

Cette garantie ne s'appliquera pas : (1) si le produit a été modifié, ouvert, altéré, ou a subi des dommages résultant d'une utilisation inappropriée ou abusive, d'une négligence, d'un accident, de l'usure normale, ou de toute autre cause non liée à un défaut matériel ou à un vice de fabrication (y compris, mais non limitativement, une combinaison du produit Thrustmaster avec tout élément inadapté, notamment alimentations électriques, batteries, chargeurs, ou tous autres éléments non-fournis par Guillemot pour ce produit) ; (2) si le produit a été utilisé en dehors du cadre privé, à des fins professionnelles ou commerciales (salles de jeu, formations, compétitions, par exemple). (3) en cas de non respect des instructions du Support Technique ; (4) aux logiciels, lesdits logiciels faisant l'objet d'une garantie spécifique ; (5) aux consommables (éléments à remplacer pendant la durée de vie du produit : piles, coussinets de casque audio, par exemple) ; (6) aux accessoires (câbles, étuis, housses, sacs, dragonnes, par exemple) ; (7) si le produit a été vendu aux enchères publiques.

Cette garantie n'est pas transférable.

Les droits légaux du consommateur au titre de la législation applicable dans son pays à la vente de biens de consommation ne sont pas affectés par la présente garantie.

Par exemple, en France, indépendamment de la présente garantie, le vendeur reste tenu de la garantie légale de conformité mentionnée aux articles L. 217-4 à L.217-12 du code de la consommation et de celle relative aux défauts (vices cachés) de la chose vendue, dans les conditions prévues aux articles 1641 à 1648 et 2232 du code civil. La loi applicable (c'est-à-dire la loi française) impose de reproduire les extraits de la loi française suivants :

Article L. 217-4 du code de la consommation :

*Le vendeur livre un bien conforme au contrat et répond des défauts de conformité existant lors de la délivrance.*

*Il répond également des défauts de conformité résultant de l'emballage, des instructions de montage ou de l'installation lorsque celle-ci a été mise à sa charge par le contrat ou a été réalisée sous sa responsabilité.*

Article L. 217-5 du code de la consommation :

*Le bien est conforme au contrat :*

*1° S'il est propre à l'usage habituellement attendu d'un bien semblable et, le cas échéant :*

*- s'il correspond à la description donnée par le vendeur et possède les qualités que celui-ci a présentées à l'acheteur sous forme d'échantillon ou de modèle ;*

*- s'il présente les qualités qu'un acheteur peut légitimement attendre eu égard aux déclarations publiques faites par le vendeur, par le producteur ou par son représentant, notamment dans la publicité ou l'étiquetage ;*

*2° Ou s'il présente les caractéristiques définies d'un commun accord par les parties ou est propre à tout usage spécial recherché par l'acheteur, porté à la connaissance du vendeur et que ce dernier a accepté.*

Article L. 217-12 du code de la consommation :

*L'action résultant du défaut de conformité se prescrit par deux ans à compter de la délivrance du bien.*

Article L. 217-16 du code de la consommation :

*Lorsque l'acheteur demande au vendeur, pendant le cours de la garantie commerciale qui lui a été consentie lors de l'acquisition ou de la réparation d'un bien meuble, une remise en état couverte par la garantie, toute période d'immobilisation d'au moins sept jours vient s'ajouter à la durée de la garantie qui restait à courir.*

*Cette période court à compter de la demande d'intervention de l'acheteur ou de la mise à disposition pour réparation du bien en cause, si cette mise à disposition est postérieure à la demande d'intervention.*

Article L. 1641 du code civil:

*Le vendeur est tenu de la garantie à raison des défauts cachés de la chose vendue qui la rendent impropre à l'usage auquel on la destine, ou qui diminuent tellement cet usage que l'acheteur ne l'aurait pas acquise, ou n'en aurait donné qu'un moindre prix, s'il les avait connus.*

Article L. 1648 alinéa 1<sup>er</sup> du code civil:

*L'action résultant des vices rédhibitoires doit être intentée par l'acquéreur dans un délai de deux ans à compter de la découverte du vice.*

### **Stipulations additionnelles à la garantie**

Pendant la période de garantie, Guillemot ne fournira, en principe, pas de pièce détachée car le Support Technique est seul habilité tant à ouvrir qu'à remettre en état tout produit Thrustmaster (à l'exception des remises en état que le Support Technique demanderait, par instructions écrites, au consommateur d'effectuer -par exemple en raison de la simplicité et de l'absence de confidentialité du processus de remise en état-, en lui fournissant, le cas échéant, la ou les pièces détachées nécessaires).

Compte tenu de ses cycles d'innovation et pour préserver ses savoir-faire et secrets, Guillemot ne fournira, en principe, ni notice de remise en état, ni pièce détachée pour tout produit Thrustmaster dont la période de garantie est expirée.

Aux États-Unis d'Amérique et au Canada, la présente garantie est limitée au mécanisme interne et au boîtier externe du produit. En aucun cas, Guillemot ou ses sociétés affiliées ne sauraient être tenues responsables envers qui que ce soit de tous dommages indirects ou dommages accessoires résultant du non respect des garanties expresses ou implicites. Certains États/Provinces n'autorisent pas la limitation sur la durée d'une garantie implicite, ou l'exclusion ou la limitation de responsabilité pour les dommages indirects ou accessoires, de sorte que les limitations ou exclusions ci-dessus peuvent ne pas vous être applicables. Cette garantie vous confère des droits spécifiques ; vous pouvez également bénéficier d'autres droits qui peuvent différer d'un État/Province à l'autre.

### **Responsabilité**

Lorsque la loi applicable l'autorise, Guillemot Corporation S.A. (ci-après « Guillemot ») et ses filiales excluent toute responsabilité pour tous dommages causés par un ou plusieurs des faits suivants: (1) le produit a été modifié, ouvert, altéré, (2) l'irrespect des instructions de montage, (3) l'utilisation inappropriée ou abusive, la négligence, l'accident (un choc, par exemple), (4) l'usure normale du produit, (5) l'utilisation du produit en dehors du cadre privé, à des fins professionnelles ou commerciales (salles de jeu, formations, compétitions, par exemple). Lorsque la loi applicable l'autorise, Guillemot et ses filiales excluent toute responsabilité pour tout dommage dont la cause n'est pas liée à un défaut matériel ou à un vice de fabrication du produit (y compris, mais non limitativement, tout dommage causé directement ou indirectement par tout logiciel, ou par une combinaison du produit Thrustmaster avec tout élément inadapté, notamment alimentations électriques, batteries, chargeurs, ou tous autres éléments non-fournis par Guillemot pour ce produit).



## COPYRIGHT

© 2021 Guillemot Corporation S.A. Tous droits réservés. Thrustmaster® est une marque déposée de Guillemot Corporation S.A. PlayStation® est une marque déposée de Sony Interactive Entertainment Inc. Windows® Microsoft® est une marque déposée de Microsoft Corporation aux Etats-Unis et/ou dans d'autres pays. Toutes les autres marques sont la propriété de leurs propriétaires respectifs. Illustrations non contractuelles. Le contenu, la conception et les spécifications sont susceptibles de changer sans préavis et de varier selon les pays. Fabriqué en Chine.

## RECOMMANDATION RELATIVE A LA PROTECTION DE L'ENVIRONNEMENT



Dans l'Union Européenne : En fin de vie, ce produit ne doit pas être éliminé avec les déchets ménagers normaux mais déposé à un point de collecte des déchets d'équipements électriques et électroniques en vue de son recyclage.

Ceci est confirmé par le symbole figurant sur le produit, le manuel utilisateur ou l'emballage.

En fonction de leurs caractéristiques, les matériaux peuvent être recyclés. Par le recyclage et par les autres formes de valorisation des déchets d'équipements électriques et électroniques, vous contribuez de manière significative à la

protection de l'environnement. Veuillez consulter les autorités locales qui vous indiqueront le point de collecte concerné.

Dans les autres pays : Veuillez vous reporter aux législations locales relatives au recyclage des équipements électriques et électroniques.

Informations à conserver. Les couleurs et décorations peuvent varier.

Il est recommandé de retirer les attaches en plastique et les adhésifs avant d'utiliser le produit.

[www.thrustmaster.com](http://www.thrustmaster.com)

*\*Applicable à l'UE, au RU et la Turquie uniquement*



**THRUSTMASTER®**

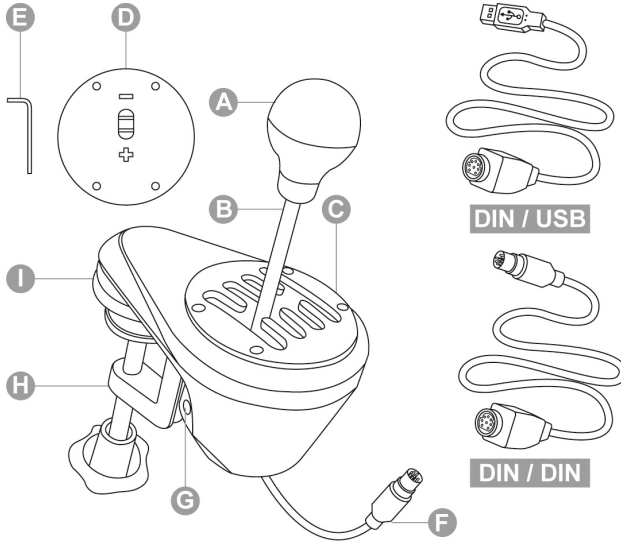
**SUPPORT TECHNIQUE**

<https://support.thrustmaster.com>



## PlayStation®4/PlayStation®5 – Xbox One/Xbox Series – PC

### Benutzerhandbuch



### TECHNISCHE FEATURES

- |   |  |
|---|--|
| <p><b>A</b> Abnehmbarer Schaltkopf<br/>(werksseitig nicht montiert)</p> <p><b>B</b> Schaltstange</p> <p><b>C</b> Anpaßbare "H-Schaltung (7+1)" Schaltplatte<br/>(werksseitig vormontiert)</p> <p><b>D</b> Anpaßbare "Sequenzielle (+/-)" Schaltplatte<br/>(werksseitig nicht montiert)</p> <p><b>E</b> 2.5 mm Inbuschlüssel (enthalten)</p> | <p><b>F</b> Kabel und DIN-Stecker</p> <p><b>G</b> Interne Spannschraube</p> <p><b>H</b> Anpaßbares Klemmsystem</p> <p><b>I</b> "Schraubgewinde" zur Cockpitmontage</p> |
|---|--|

**DIN/USB** Abnehmbares DIN/USB Kabel  
**DIN/DIN** Abnehmbares DIN/DIN Kabel

## WARNUNG

Bevor Sie dieses Produkt in Gebrauch nehmen, lesen Sie sich dieses Handbuch sorgfältig durch. Heben Sie dieses Handbuch für zukünftiges Nachlesen auf.



### **Warnung – Elektrischer Schlag**

- \* Bewahren Sie dieses Produkt an einem trockenen Ort auf und setzen es weder Staub noch direktem Sonnenlicht aus.
- \* Beachten Sie die Einsteckrichtung für Stecker.
- \* Verdrehen oder ziehen Sie weder (an) Kabel(n) oder Stecker(n).
- \* Verschütten Sie keine Flüssigkeiten auf das Produkt oder dessen Stecker.
- \* Schließen Sie dieses Produkt nicht kurz.
- \* Nehmen Sie dieses Produkt nicht auseinander (außer für mögliche Anpassungen, die in diesem Handbuch beschrieben werden), versuchen Sie dieses Produkt nicht zu verbrennen oder setzen es hohen Temperaturen aus.



### **Warnung – Schädigungen durch wiederholte Bewegungen**

Spielen mit einem Gangschalthebel kann Muskel- und Gelenkschmerzen verursachen. Um jedwede Probleme zu vermeiden:

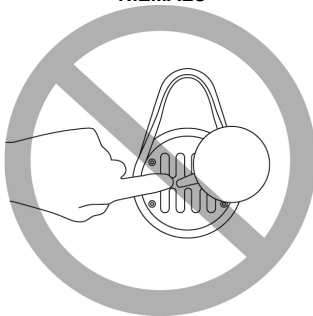
- \* Vermeiden Sie das Spielen über sehr lange Zeiträume.
- \* Pausieren Sie nach jeder Spielstunde für 10 bis 15 Minuten.
- \* Sollten Sie Ermüdungserscheinungen oder Schmerzen in Ihren Händen, Handgelenken oder Armen verspüren, hören Sie mit dem Spielen auf und ruhen für einige Stunden aus bevor Sie weiterspielen.
- \* Falls die oben beschriebenen Symptome oder Schmerzen weiterbestehen nachdem Sie wieder zu Spielen begonnen haben, hören Sie mit dem Spielen auf und konsultieren Ihren Arzt.
- \* Stellen Sie sicher, daß die Basis des Gangschalthebels ordnungsgemäß nach den in diesem Handbuch beschriebenen Instruktionen montiert ist.



### **Warnung – Klemmgefahr durch die Öffnungen der Schaltplatte**

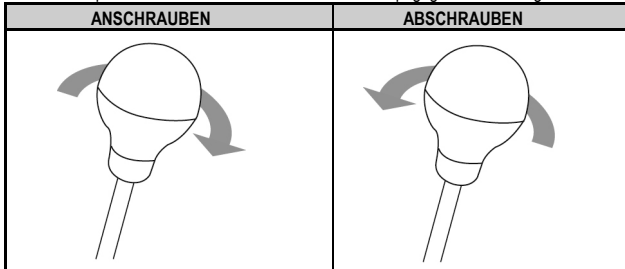
- \* Außer Reichweite von Kindern aufbewahren.
- \* Beim Spielen niemals Ihre Finger (oder jedwede anderen Körperteile) in die Öffnungen der Schaltplatte stecken.

**NIEMALS**



## MONTIEREN DES SCHALTKOPFES

1. Um den Schaltkopf **(A)** auf dessen Schaltstange **(B)** zu montieren: Drehen Sie den Schaltkopf im Uhrzeigersinn.
2. Um den Schaltkopf abzuschrauben: Drehen Sie den Schaltkopf gegen den Uhrzeigersinn.



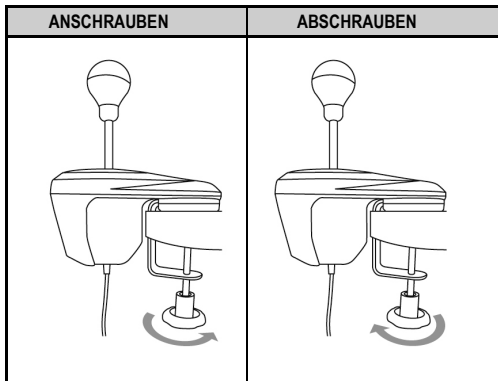
## MONTIEREN DER GANGSCHALTUNG

Optimierte Montage für jedweden Anbautyp:

- **Tische, Schreibtische oder Regale** von 1 bis 55 mm Dicke via des Klemmsystems **(H)**.
- **Cockpits** via der eingebauten "Schraubgewinde" (das Klemmsystem ist abnehmbar).

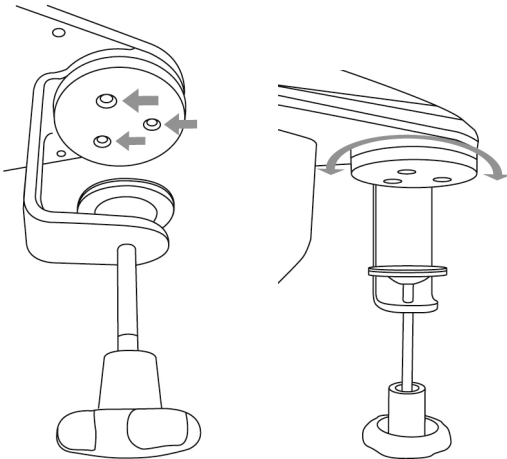
### Montieren der Gangschaltung auf einem Tisch oder Schreibtisch

1. Plazieren Sie die Nase der Gangschaltung auf einem Tisch oder auf einer anderen flachen Oberfläche.
2. Zum Anschrauben: Drehen Sie das Feststellrad entgegen dem Uhrzeigersinn.
3. Zum Abschrauben: Drehen Sie das Feststellrad im Uhrzeigersinn.

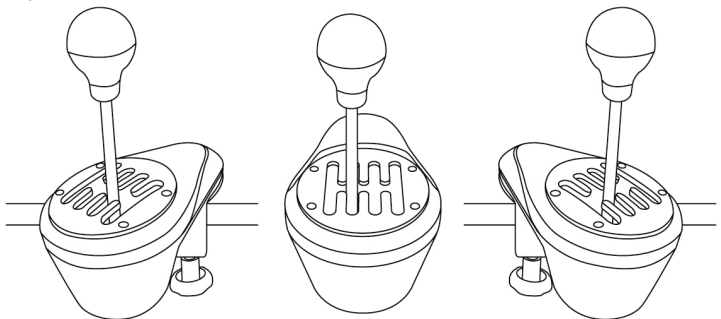


## Positionierung und drehen des Klemmsystems (kann um 360° gedreht werden)

1. Benutzen Sie den beigelegten 2.5 mm Inbusschlüssel (**E**) und lösen ein wenig die 3 Schrauben, die das Klemmsystem (**H**) in Position halten.  
Das Klemmsystem (und demnach die ganze Gangschaltung) kann nun manuell um 360° gedreht werden.

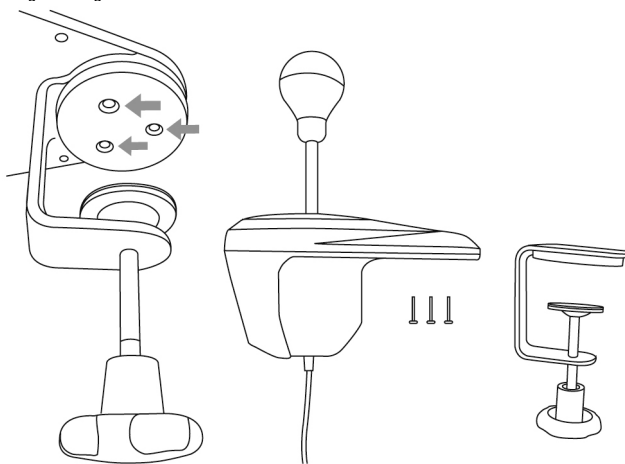


2. Wählen Sie Ihre bevorzugte Position (3 Beispiele, unter vielen anderen Möglichkeiten, werden unten gezeigt).  
Als nächstes ziehen Sie die 3 Halteschrauben, die das Klemmsystem in Position halten, wieder an.

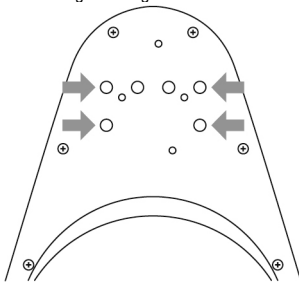


## Montieren der Gangschaltung in einem Cockpit

1. Benutzen Sie den beigelegten 2.5 mm Inbusschlüssel (**E**) und **schauben die** 3 Schrauben, die das Klemmsystem (**H**) in Position halten, **komplett ab**. Nehmen Sie das Klemmsystem von der Gangschaltung ab.



2. Ist das Klemmsystem entfernt, schrauben Sie 2 "M6" (metrische Schrauben mit 16mm-Gewinde) Schrauben (nicht enthalten) durch die Cockpit-Platte und in 2 der 4 kleinen "Schraubgewinde" (I) an der Unterseite der Nase der Gangschaltung.

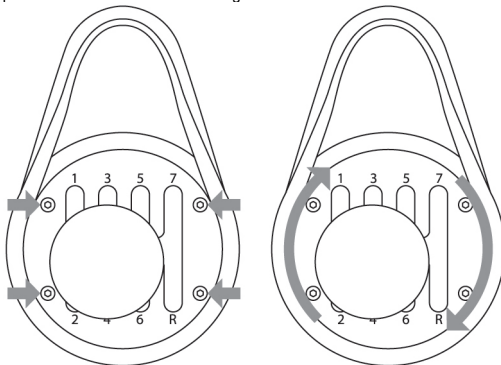


**Stellen Sie sicher, daß die "M6" Schrauben nicht zu lang sind, da diese sonst den oberen Teil der Gangschaltungsnase perforieren und beschädigen könnten.**

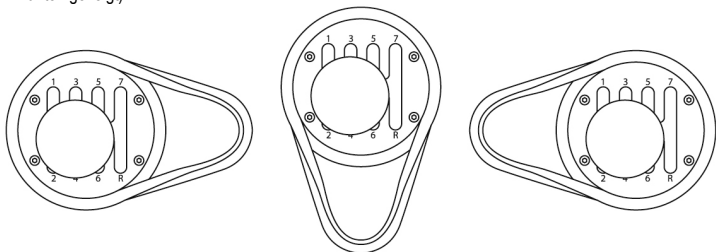
**Zum Einbau der Gangschaltung in ein Cockpit ist unter <https://support.thrustmaster.com> (klicken Sie auf Lenkräder / TH8A Shifter und wählen dann Benutzerhandbuch) eine Montageschablone erhältlich.**

## POSITIONIERUNG UND DREHEN DER SCHALTPLATTEN (KÖNNEN UM 360° GEDREHT WERDEN)

1. Benutzen Sie den beigelegten 2.5 mm Inbusschlüssel (**E**), **und lösen ein wenig** die 4 Schrauben, die die Schaltplatte (**C oder D**) in Position halten. Die Schaltplatte kann nun manuell um 360° gedreht werden.



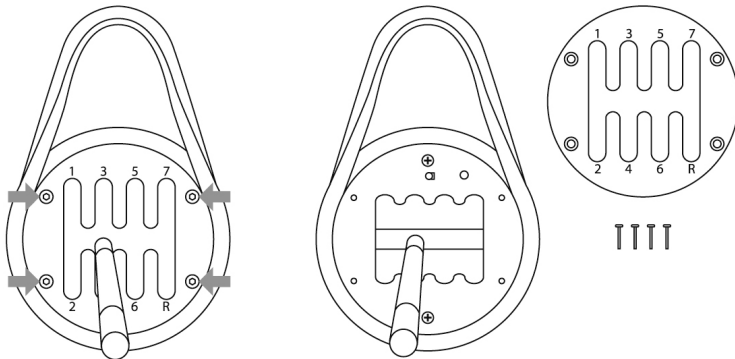
2. Wählen Sie Ihre bevorzugte Position (3 Beispiele, unter vielen anderen Möglichkeiten, werden unten gezeigt).



3. Als nächstes ziehen Sie die 4 Halteschrauben, die die Schaltplatte in Position halten, wieder an.

## WECHSEL DER “H-SCHALTUNG (7+1)” SCHALTPLATTE AUF DIE “SEQUENZIELLE (+/-)” SCHALTPLATTE

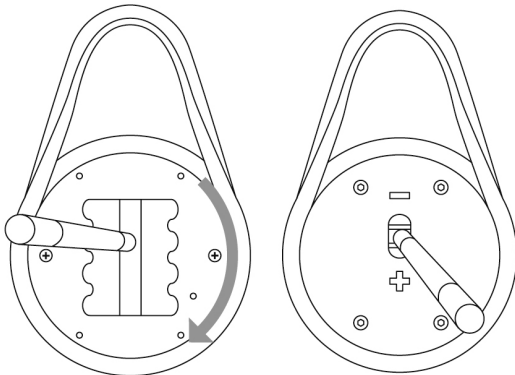
1. Schrauben Sie den Schaltkopf (A) entgegen dem Uhrzeigersinn ab.
2. Benutzen Sie den beigelegten 2.5 mm Inbusschlüssel (E), **lösen und entfernen Sie vollständig** die 4 Schrauben, die die “H-Schaltung (7+1)” Schaltplatte in Position halten. Entfernen Sie die Schaltplatte.



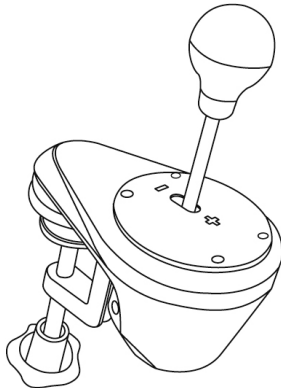
**Achten Sie darauf, daß während dieser Prozedur keine der Schrauben versehentlich in den internen Mechanismus fallen.**

3. Drehen Sie manuell die interne Struktur um 90° nach rechts (im Uhrzeigersinn). Montieren Sie dann die “Sequenzielle (+/-)” Schaltplatte.



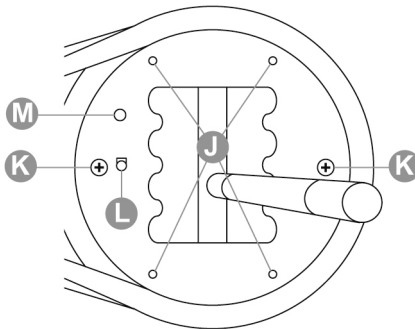


4. Mittels des beigelegten 2.5 mm Inbusschlüssels (E), setzen Sie die 4 Schrauben, die die "Sequenzielle (+/-)" Schaltplatte in Position halten, komplett wieder ein und ziehen diese wieder fest. Schrauben Sie den Schaltkopf im Uhrzeigersinn wieder an.



**Führen Sie diese Prozedur umgekehrt aus, um die "H-Schaltung (7+1)" Schaltplatte wieder zu montieren.**

## Anmerkungen bezüglich der Abdeckung der internen Baugruppe:



**J:** 4 "Schraubgewinde", um die Schaltplatten anzuschrauben (**C oder D**).

**K:** 2 Schrauben, um die interne Baugruppe in Position zu halten (nicht abschrauben).

**L:** Button, der automatisch den Typ der benutzten Schaltplatte (**C oder D**) erkennt. Ist **automatisch** gedrückt wenn die "Sequenzielle (+/-)" Schaltplatte montiert ist. Halten Sie diesen Bereich sauber, um jedwede Erkennungsprobleme zu vermeiden.

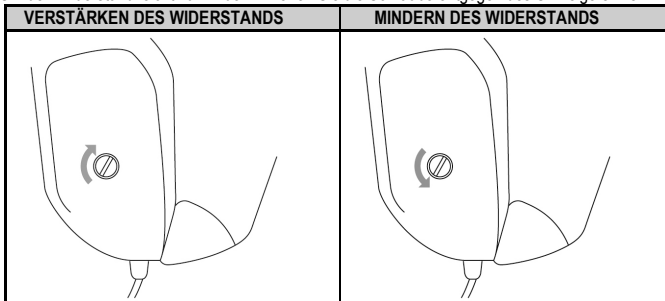
**M:** Führungsnut zur leichteren Positionierung der Schaltplatte.

## ANPASSEN DES SCHALTUNGSWIDERSTANDS

- \* Nur bei der "H-Schaltung (7+1)" Schaltplatte anwendbar.
- \* Bevor Sie irgendwelche Anpassungen vornehmen, **muß** die "H-Schaltung (7+1)" Schaltplatte in ihrer Originalposition montiert worden sein. (Siehe Diagramm unten).



1. Nutzen Sie einen großen Schlitzschraubendreher und platzieren diesen im Schlitz am Kopf der internen Spannschraube (G), die sich unten links am Gehäuse der Gangschaltung befindet.
2. Um den Widerstand leicht zu erhöhen: Drehen Sie die Schraube im Uhrzeigersinn.
3. Um den Widerstand leicht zu mindern: Drehen Sie die Schraube entgegen des Uhrzeigersinns.



**2 volle Umdrehungen reichen aus, um von einem in das andere Extrem zu gelangen.**



**Um eine Beschädigung des Systems zu verhindern:**

- Hören Sie mit dem Festschrauben der Schraube auf wenn Sie einen starken Widerstand bemerken.
- Hören Sie mit dem Lösen der Schraube auf wenn diese locker und wackelig ist.

# INSTALLATIONSANWEISUNGEN FÜR SPIELKONSOLEN

## PLAYSTATION®4/PLAYSTATION®5

Je nach PS4™/PS5™-Spiel oder dem benutzten Rennlenker:

**PS4™ = Schließen (\*) Sie die TH8A Gangschaltung direkt an den PS4™ USB-Port an**

- Verbinden Sie den DIN-Stecker der TH8A Gangschaltung mit dem DIN/USB Kabel.

- Schließen Sie die TH8A Gangschaltung an einen der USB-Ports Ihrer PS4™ an.

- Starten Sie das Spiel.

**Die TH8A Gangschaltung kann dann sowohl mit der H-SCHALTUNG (7+1) als auch der SEQUENZIELLEN (+/-) Schaltplatte benutzt werden.**

Oder

**PS4™/PS5™ = Schließen (\*) Sie die TH8A Gangschaltung direkt an die Thrustmaster-Rennlenkerbasis an**

(nur anwendbar bei Verwendung eines Thrustmaster-Lenkrads mit einem eingebauten Gangschaltungs-Anschluss)

- Verbinden Sie den DIN-Stecker der TH8A Gangschaltung mit dem **abnehmbaren DIN/DIN Kabel**.

- Schließen Sie die TH8A Gangschaltung an die Gangschaltungsbuchse hinten an der Rennlenkerbasis an.

- Schließen Sie Ihren Rennlenker an und starten das Spiel.

**Die TH8A Gangschaltung funktioniert dann sowohl mit der H-SCHALTUNG (7+1) als auch der SEQUENZIELLEN (+/-) Schaltplatte.**

**(\*) Wichtige Empfehlungen für das PS4™/PS5™ System** (nur anwendbar bei Verwendung eines Thrustmaster-Lenkrads mit einem eingebauten Gangschaltungs-Anschluss)

- **PS4™/PS5™: Wenn Sie die SEQUENZIELLE (+/-) Schaltplatte der TH8A Gangschaltung nutzen, können Sie die Gangschaltung mittels des abnehmbaren DIN/DIN Kabels hinten am Rennlenker anschließen.** Die TH8A Gangschaltung ist nun an die UP (= R1) und DOWN (= L1) Schaltwippen angeschlossen. Mit diesem Rennlenker funktioniert die SEQUENZIELLE (+/-) Schaltplatte der TH8A Gangschaltung mit 100% der Rennspiele für PS4™/PS5™, die mit dem Rennlenker kompatibel sind.

- **PS4™:** Einige Spiele ermöglichen Ihnen die **gleichzeitige Nutzung von zwei TH8A Gangschaltungen:** Eine TH8A Gangschaltung mit einer H-SCHALTUNG Schaltplatte (7+1), die an einen USB-Port der PS4™ angeschlossen wird

- + Eine TH8A Gangschaltung mit einer SEQUENZIELLEN Schaltplatte (+/-), die hinten an den Rennlenker angeschlossen wird.

\* Eine Liste der kompatiblen Spiele für PS4™/PS5™, die auch mit der TH8A Gangschaltung kompatibel sind, finden Sie hier:

<https://support.thrustmaster.com> (klicken Sie auf Lenkräder / TH8A Shifter und wählen dann Spiele-Einstellungen). Diese Liste wird regelmäßig aktualisiert.

\* Wir empfehlen bei PS4™ Systemen, daß Sie keinen USB-Hub zum Anschluss des Rennlenkers oder der TH8A Gangschaltung an die Spielkonsole benutzen. Schließen Sie die Geräte direkt an die USB-Ports der PS4™ an.

\* Einige Spiele erfordern, daß Sie die neusten verfügbaren Aktualisierungen für die TH8A Gangschaltung installieren, damit diese ordnungsgemäß funktioniert (Ihre Spielkonsole muß mit dem Internet verbunden sein).

## XBOX ONE/XBOX SERIES

= Bei allen Xbox One/Xbox Series Spielen: Schließen Sie die TH8A Gangschaltung immer direkt an die Thrustmaster-Rennlenkerbasis an (NIEMALS an den USB-Port der Spielkonsole).

- Verbinden Sie den DIN-Stecker der TH8A Gangschaltung mit dem **abnehmbaren DIN/DIN Kabel**.
- Schließen Sie die TH8A Gangschaltung an die Gangschaltungsbuchse hinten an der Rennlenkerbasis an.
- Schließen Sie Ihren Rennlenker an und starten das Spiel.

**Die TH8A Gangschaltung funktioniert dann sowohl mit der H-SCHALTUNG (7+1) als auch der SEQUENZIELLEN (+/-) Schaltplatte.**

### **Wichtige Empfehlungen für die Xbox One/Xbox Series:**

Wenn Sie die SEQUENZIELLE (+/-) Schaltplatte der TH8A Gangschaltung nutzen, ist die Gangschaltung nun an die UP (= RB) und DOWN (= LB) Schaltwippen angeschlossen.

**Wenn Sie die SEQUENZIELLE Schaltplatte (+/-) der TH8A Gangschaltung nutzen, funktioniert die Gangschaltung mit 100% der Rennspiele für Xbox One/Xbox Series, die mit dem Thrustmaster-Rennlenker für Xbox One/Xbox Series kompatibel sind.**

\* Eine Liste der kompatiblen Spiele für Xbox™, die auch mit der TH8A Gangschaltung kompatibel sind, finden Sie hier:

<https://support.thrustmaster.com> (klicken Sie auf Lenkräder / TH8A Shifter und wählen dann Spiele-Einstellungen). Diese Liste wird regelmäßig aktualisiert.

\* Einige Spiele erfordern, daß Sie die neusten verfügbaren Aktualisierungen für die TH8A Gangschaltung installieren, damit diese ordnungsgemäß funktioniert (Ihre Spielkonsole muß mit dem Internet verbunden sein).



Um die Kompatibilität Ihres Thrustmaster Rennlenkers für die Xbox One/Xbox Series mit der TH8A Gangschaltung zu gewährleisten, kann es erforderlich sein, die Firmware des Rennlenkers mit der neuesten verfügbaren Version für PC hier zu aktualisieren: <https://support.thrustmaster.com> (klicken Sie auf Lenkräder / TH8A Shifter und wählen dann Firmware).

## INSTALLATIONSANWEISUNGEN FÜR PC

= Bei allen PC-Spielen (\*): Schließen Sie TH8A Gangschaltung immer direkt an einen der USB-Ports des PCs an.

- Verbinden Sie den DIN-Stecker der TH8A Gangschaltung mit dem DIN/USB Kabel.
- Schließen Sie die TH8A Gangschaltung an einen der USB-Ports Ihres PCs an.
- Beim Anschluss an einen PC wird die TH8A Gangschaltung als Plug&Play Gerät automatisch erkannt und installiert.
- Das Gerät wird dann als 'T500 RS Gear Shift' in der Windows® Systemsteuerung aufgeführt.
- Klicken Sie bitte auf Eigenschaften, um die Merkmale des Gerätes zu testen und zu betrachten.
- Starten Sie das Spiel.

**Sie können nun Ihr Rennen beginnen!**

(\*)**Wichtige Empfehlungen für PCs** (nur anwendbar bei Verwendung eines Thrustmaster-Lenkrads mit einem eingebauten Gangschaltungs-Anschluss)

- Wenn Sie die SEQUENZIELLE (+/-) Schaltplatte der TH8A Gangschaltung nutzen, können Sie die Gangschaltung mittels des abnehmbaren DIN/DIN Kabels hinten am Rennlenker anschließen. Die TH8A Gangschaltung ist nun an die UP (= 2) und DOWN (= 1) Schaltwippen angeschlossen. Mit diesem Rennlenker funktioniert die SEQUENZIELLE (+/-) Schaltplatte der TH8A Gangschaltung mit 100% der Rennspiele für PC, die mit dem Rennlenker kompatibel sind.

- Einige Spiele ermöglichen Ihnen die **gleichzeitige Nutzung von zwei TH8A Gangschaltungen**:
  - Eine TH8A Gangschaltung mit einer H-SCHALTUNG Schaltplatte (7+1), die an einen USB-Port des PCs angeschlossen wird
  - + Eine TH8A Gangschaltung mit einer SEQUENZIELLEN Schaltplatte (+/-), die hinten an den Rennlenker angeschlossen wird.

\* Auf dem PC ist die Thrustmaster-Gangschaltung kompatibel mit:

- Allen Spielen, die MULTI-USB und Gangschaltungen unterstützen.
- Allen Lenkern auf dem Markt.

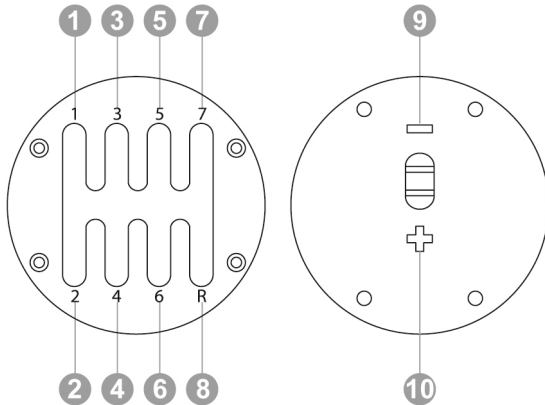
\* Wir empfehlen, daß Sie den Rennlenker und auch die TH8A Gangschaltung direkt an die USB 2.0 Ports (nicht USB 3.0) Ihres PCs anschließen. Bitte nutzen Sie keinen zwischengeschalteten Hub.

\* Bei einigen PC-Spielen müssen Sie die neusten Spielaktualisierungen herunterladen und installieren, um eine ordnungsgemäße Funktion der TH8A Gangschaltung zu gewährleisten.

\* Bei einigen PC-Spielen (um Konflikte zwischen Lenker und Gangschaltung zu vermeiden) kann es nötig sein:

- Nichts auf die Gangschaltungshebel des Lenkers zu mappen.
- Die Funktion "Halte Button zum Schalten" zu aktivieren.

## MAPPING AUF PC



## SOFTWARE PAKET

Ein "Softwarepaket" ist hier erhältlich: <https://support.thrustmaster.com> (klicken Sie auf Lenkräder / TH8A Shifter und wählen dann Treiber).

- Nach der Installation des Softwarepaketes sind Sie in der Lage:
  - \* Die Firmware-Version Ihrer Gangschaltung zu überprüfen.
  - \* Die Firmware mit der neusten Version zu aktualisieren (falls nötig).
  - \* Die "BOOTLOADER"-Methode zu nutzen (um Ihre Gangschaltung nach einem Verlust der Firmware wiederherzustellen).
  - \* Auf ein angepasstes Steuer Menü (Gamecontroller) auf dem PC zuzugreifen.
  - \* Den ANALOGEN Modus (Handbremse) auf dem PC zu genießen.

## ERWEITERTE KALIBRIERUNGSSOFTWARE

Die TH8A Gangschaltungskalibrierung wird automatisch ausgeführt.

Eine erweiterte Kalibrierungssoftware für PC ist ebenfalls hier erhältlich: <https://support.thrustmaster.com> (klicken Sie auf Lenkräder / TH8A Shifter und wählen dann Software). Diese ermöglicht Ihnen den Hub des Gangschalters nach Ihrem Gusto einzustellen.

Wenn alle Einstellungen vorgenommen wurden, sind diese sofort im internen Speicher der Gangschaltung abgespeichert und können auf PS4™/PS5™, Xbox One/Xbox Series und PC genutzt werden.

# ZUSAMMENFASSENDE ANWEISUNGEN ZUM ANSCHLUSS DER TH8A GANGSCHALTUNG AN VERSCHIEDENE SYSTEME

EN

FR

DE

NL

IT

ES

PT

RU

CS

TR

PL

日本語

繁體中文

한국어

العربية

	Anschluss der TH8A Gangschaltung
PS4™	<u>Ja nach Spiel oder Rennlenker (*)</u> : - Entweder direkt an das PS4™/PS5™ System (USB) - Oder hinten am Rennlenker (DIN)
PS5™	Immer hinten am Rennlenker (DIN)
XBOX ONE/XBOX SERIES	Immer hinten am Rennlenker (DIN)
PC	Immer (*) direkt an den PC (USB)

(\*) Für weitere Informationen über Ausnahmen lesen Sie bitte in den Abschnitten über **Wichtige Empfehlungen** in den relevanten Abschnitten des Handbuchs nach.

## WARNUNG

\* Schließen Sie niemals die TH8A Gangschaltung direkt an ein anderes Gerät als einen Thrustmaster Rennlenker an, auch wenn das Gerät über einen identischen DIN-Stecker verfügt. Dies könnte die TH8A Gangschaltung oder das andere Gerät beschädigen.

## FEHLERBESEITIGUNG

\* Meine Gangschaltung funktioniert nicht richtig oder ist falsch kalibriert:

- Schalten Sie Ihren Computer oder Ihre Konsole aus, trennen Ihre Gangschaltung und stecken diese wieder ein, schalten den PC/die Konsole wieder ein und starten Ihr Spiel erneut.
- Unter "Optionen/Controller" in Ihrem Spiel wählen oder richten Sie die geeignetste Konfiguration ein.
- Lesen Sie im Handbuch Ihres Spiels oder in der Online-Hilfe für weitere Information nach.

- Verschiedene Hilfetemen und Tips (nicht in diesem Handbuch enthalten), Liste der kompatiblen Spiele finden Sie auf der <https://support.thrustmaster.com> Website. Klicken Sie auf Lenkräder / TH8A Shifter.

- Auf der Xbox One/Xbox Series: Um die Kompatibilität Ihres Thrustmaster Rennlenkers für die Xbox One/Xbox Series mit der TH8A Gangschaltung zu gewährleisten, kann es erforderlich sein, die Firmware des Rennlenkers mit der neuesten verfügbaren Version für PC hier zu aktualisieren: <https://support.thrustmaster.com> (klicken Sie auf Lenkräder / TH8A Shifter und wählen dann Firmware).



## **Kunden-Garantie-Information**

Guillemot Corporation S.A. mit Hauptfirmensitz in Place du Granier, B.P. 97143, 35571 Chantepie, France (fortfolgend "Guillemot") garantiert Kunden weltweit, daß dieses Thrustmaster Produkt frei von Mängeln in Material und Verarbeitung für eine Gewährleistungsfrist ist, die mit der Frist für eine Mängelrüge bezüglich des Produktes übereinstimmt. In den Ländern der Europäischen Union entspricht diese einem Zeitraum von zwei (2) Jahren ab Kaufdatum des Thrustmaster Produktes. In anderen Ländern entspricht die Gewährleistungsfrist der zeitlichen Begrenzung für eine Mängelrüge bezüglich des Thrustmaster Produktes in Übereinstimmung mit anwendbarem Recht des Landes, in dem der Kunde zum Zeitpunkt des Erwerbs eines Thrustmaster Produktes wohnhaft ist. Sollte eine entsprechende Regelung in dem entsprechenden Land nicht existieren, umfasst die Gewährleistungspflicht einen Zeitraum von einem (1) Jahr ab dem originären Kaufdatum des Thrustmaster Produktes.

Sollten bei dem Produkt innerhalb der Gewährleistungsfrist Defekte auftreten, kontaktieren Sie unverzüglich den technischen Kundendienst, der die weitere Vorgehensweise anzeigt. Wurde der Defekt bestätigt, muß das Produkt an die Verkaufsstelle (oder an eine andere Stelle, je nach Maßgabe des technischen Kundendienstes) retourniert werden.

Im Rahmen dieser Garantie sollte das defekte Produkt des Kunden, je nach Entscheidung des technischen Kundendienstes, entweder ausgetauscht oder repariert werden. Sollte während der Garantiezeit das Thrustmaster Produkt einer derartigen Instandsetzung unterliegen und das Produkt während eines Zeitraums von mindestens sieben (7) Tagen nicht benutzbar sein, wird diese Zeit der restlichen Garantiezeit hinzugefügt. Diese Frist läuft ab dem Zeitpunkt, an dem der Wunsch des Verbrauchers bezüglich einer Intervention vorliegt oder ab dem Tag, an dem das fragliche Produkt zur Instandsetzung zur Verfügung steht, falls das Datum, an dem das Produkt zur Instandsetzung zur Verfügung steht, dem Datum des Antrags auf Intervention nachfolgt. Wenn nach geltendem Recht zulässig, beschränkt sich die volle Haftung von Guillemot und ihrer Tochtergesellschaften auf die Reparatur oder den Austausch des Thrustmaster Produktes (inklusive Folgeschäden). Wenn nach geltendem Recht zulässig, lehnt Guillemot alle Gewährleistungen der Marktgängigkeit oder Eignung für einen bestimmten Zweck ab.

Der Gewährleistungsanspruch verfällt: (1) Falls das Produkt modifiziert, geöffnet, verändert oder ein Schaden durch unsachgemäßen oder missbräuchlichen Gebrauch hervorgerufen wurde, sowie durch Fahrlässigkeit, einen Unfall, Verschleiß oder irgendeinem anderen Grund – aber nicht durch Material- oder Herstellungsfehler (einschließlich, aber nicht beschränkt auf, die Kombination der Thrustmaster Produkte mit ungeeigneten Elementen, insbesondere Netzteile, Akkus, Ladegeräte, oder andere Elemente, die von Guillemot für dieses Produkt nicht mitgeliefert wurden); (2) Falls das Produkt für eine andere Nutzung als zum privaten Hausgebrauch, einschließlich für professionelle oder kommerzielle Zwecke (z. B. Spielhallen, Training, Wettkämpfe) verwendet wird; (3) Im Falle der Nichteinhaltung der durch den technischen Support erteilten Anweisungen; (4) Durch Software. Die besagte Software ist Gegenstand einer speziellen Garantie; (5) Bei Verbrauchsmaterialien (Elemente, die während der Produktlebensdauer ausgetauscht werden, wie z. B. Einwegbatterien, Ohrpolster für ein Audioheadset oder für Kopfhörer); (6) Bei Accessoires (z. B. Kabel, Etuis, Taschen, Beutel, Handgelenk-Riemen); (7) Falls das Produkt in einer öffentlichen Versteigerung verkauft wurde. Diese Garantie ist nicht übertragbar.

Die Rechte des Kunden in Übereinstimmung mit anwendbarem Recht bezüglich des Verkaufs auf Konsumgüter im Land der/der Kunden/Kundin wird durch diese Garantie nicht beeinträchtigt.

## Zusätzliche Gewährleistungsbestimmungen

Während der Garantiezeit bietet Guillemot grundsätzlich keine Ersatzteile an, da der technische Kundendienst der einzige autorisierte Partner zum Öffnen und/oder Instandsetzen jedweden Thrustmaster-Produkts ist (mit Ausnahme von irgendwelchen Instandsetzungsprozeduren, die der Kunde nach Maßgabe des technischen Kundendienstes und durch schriftliche Instruktionen sowie der Zurverfügungstellung des/der eventuell erforderlichen Ersatzteil(s)(e) selbst in der Lage ist durchzuführen – zum Beispiel aufgrund der Einfachheit und einer nicht erforderlichen Geheimhaltung des Instandsetzungsverfahrens).

Aufgrund seiner Innovationszyklen und um sein Know-how und seine Geschäftsgeheimnisse zu schützen, bietet Guillemot grundsätzlich keine Instandsetzungs-Benachrichtigung oder Ersatzteile für alle Thrustmaster Produkte an, deren Garantiezeit abgelaufen ist.

## Haftung

Wenn nach dem anwendbaren Recht zulässig, lehnen Guillemot Corporation S.A. (fortfolgend "Guillemot") und ihre Tochtergesellschaften jegliche Haftung für Schäden, die auf eine oder mehrere der folgenden Ursachen zurückzuführen sind, ab: (1) das Produkt wurde modifiziert, geöffnet oder geändert; (2) Nichtbefolgung der Montageanleitung; (3) unangebrachte Nutzung, Fahrlässigkeit, Unfall (z. B. ein Aufprall); (4) normalem Verschleiß; (5) Die Verwendung des Produkts für jedwede andere Nutzung als zum privaten Hausgebrauch, einschließlich professionelle oder kommerzielle Zwecke (z. B. Spielhallen, Training, Wettkämpfe). Wenn nach anwendbarem Recht zulässig, lehnen Guillemot und seine Niederlassungen jegliche Haftung für Schäden, die nicht auf einen Material- oder Herstellungsfehler in Bezug auf das Produkt beruhen (einschließlich, aber nicht beschränkt auf, etwaige Schäden, die direkt oder indirekt durch Software oder durch die Kombination der Thrustmaster Produkte mit ungeeigneten Elementen, insbesondere Netzteile, Akkus, Ladegeräte, oder andere Elemente, die von Guillemot für dieses Produkt nicht geliefert wurden), ab.

## COPYRIGHT

© Guillemot Corporation S.A. 2021. Alle Rechte vorbehalten. Thrustmaster® ist ein eingetragenes Warenzeichen der Guillemot Corporation S.A. PlayStation® ist ein eingetragenes Warenzeichen von Sony Interactive Entertainment Inc. Windows® ist ein eingetragenes Warenzeichen der Microsoft Corporation in den Vereinigten Staaten von Amerika und/oder anderen Ländern. Alle anderen Handelsmarken sind im Besitz Ihrer jeweiligen Eigentümer. Illustrationen nicht verbindlich. Inhalte, Design und Spezifikationen können ohne vorherige Ankündigung geändert werden und können von Land zu Land unterschiedlich sein. Hergestellt in China.

## Hinweise zum Umweltschutz



\* In der Europäischen Union: Dieses Produkt darf nach Ende seiner Lebensdauer nicht über den Hausmüll entsorgt werden, sondern muss an einem Sammelpunkt für das Recycling von elektrischen und elektronischen Geräten abgegeben werden.

Das Symbol auf dem Produkt, der Gebrauchsanleitung oder der Verpackung weist darauf hin.

Die Werkstoffe sind gemäß ihrer Kennzeichnung wiederverwertbar. Mit der Wiederverwertung, der stofflichen Verwertung oder anderen Formen von Altgeräten leisten Sie einen wichtigen Beitrag zum Schutz unserer Umwelt. Bitte erfragen Sie bei der Gemeindeverwaltung die zuständige Entsorgungsstelle.

Für alle anderen Länder: Bitte beachten Sie die lokalen Entsorgungsrichtlinien/-Gesetze bezüglich elektrischen und elektronischen Equipments.

Wichtige Informationen. Die Farben und Verzierungen können abweichen.  
Plastikhalterungen und Aufkleber bitte vor der Nutzung des Produktes entfernen.

[www.thrustmaster.com](http://www.thrustmaster.com)

\* Nur in der EU, dem Vereinigten Königreich und der Türkei anwendbar



**THRUSTMASTER®**

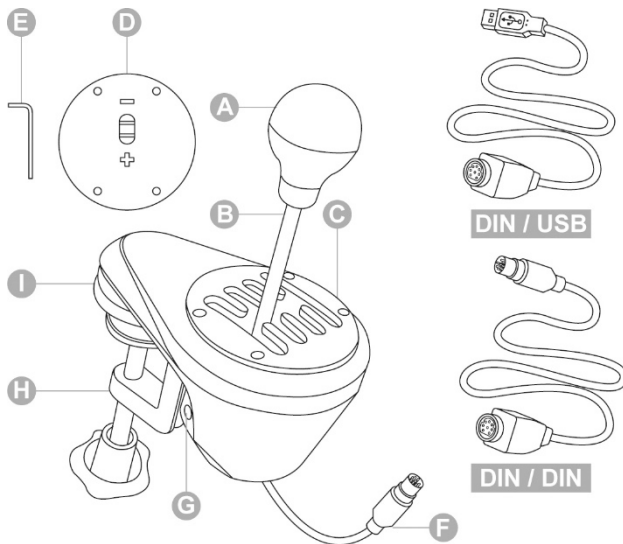
**TECHNISCHER SUPPORT**

<https://support.thrustmaster.com>



PlayStation®4/PlayStation®5 - Xbox One/Xbox Series - PC

Handleiding



## TECHNISCHE KENMERKEN

- A** Afneembare pookknop  
*(niet geïnstalleerd bij levering)*
- B** Versnellingspook
- C** Schakelplaat, "H-patroon (7+1)", verwisselbaar  
*(geïnstalleerd bij levering)*
- D** Schakelplaat, "Sequentieel(+/-)", verwisselbaar  
*(niet geïnstalleerd bij levering)*
- E** 2,5 mm inbussleutel (meegeleverd)
- F** Kabel-en DIN-connector
- G** Aandraaiboutje
- H** Instelbaar klemsysteem
- I** Schroefdraden voor montage in cockpit

**DIN / USB Afneembare DIN / USB-kabel**  
**DIN / DIN Afneembare DIN / DIN-kabel**

## WAARSCHUWING

Lees, voordat u dit product gebruikt, deze handleiding zorgvuldig door. Bewaar deze handleiding om hem eventueel op een later tijdstip te kunnen raadplegen.



### **Waarschuwing – Elektrische schok**

- \* Gebruik en bewaar dit product op een droge plek, uit de zon en stofvrij.
- \* Let bij het insteken van connectors op de juiste wijze van insteken.
- \* Trek nooit te hard aan een kabel of connector en zorg dat er geen knikken in kabels komen.
- \* Mors geen vloeistoffen op het product en/of de connectors.
- \* Veroorzaak geen kortsluiting.
- \* Haal dit product niet uit elkaar (behalve voor eventuele in deze handleiding beschreven aanpassingen), verbrand het niet en stel het niet bloot aan hoge temperaturen.



### **Waarschuwing – Mogelijk letsel ten gevolge van herhaalde bewegingen**

Het gebruik van een versnellingspook bij het gamen kan leiden tot pijn in spieren en/of gewrichten. Om problemen te voorkomen:

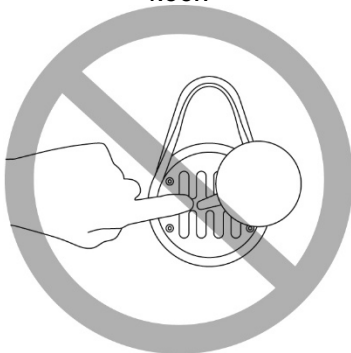
- \* Vermijd te lang gamen.
- \* Neem na elk uur gamen een pauze van 10 of 15 minuten.
- \* Bij last van vermoeidheid of pijn in handen, polsen of armen, moet het gamen worden gestopt en een paar uur worden gerust voordat er weer verder kan worden gespeeld.
- \* Als de hierboven beschreven symptomen van pijn of last blijven aanhouden tijdens het gamen, moet het gamen worden gestopt en moet de huisarts worden geraadpleegd.
- \* Controleer dat de voet van de versnellingspook goed en correct vastzit zoals beschreven in deze handleiding.



### **Waarschuwing – Beknellingsgevaar van sleuven in schakelplaten**

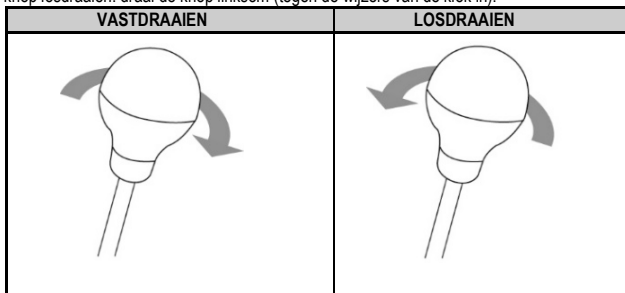
- \* Houd de schakelplaten buiten het bereik van kinderen.
- \* Steek tijdens het spelen nooit een vinger of een ander lichaamsdeel in de sleuven van de schakelplaten.

**NOOIT**



## DE KNOP VAN DE SCHAKELPOOK BEVESTIGEN

1. De knop van de schakelpook (**A**) op de pook (**B**) bevestigen: draai de knop rechtsom (met de wijzers van de klok mee).
2. De knop losdraaien: draai de knop linksom (tegen de wijzers van de klok in).



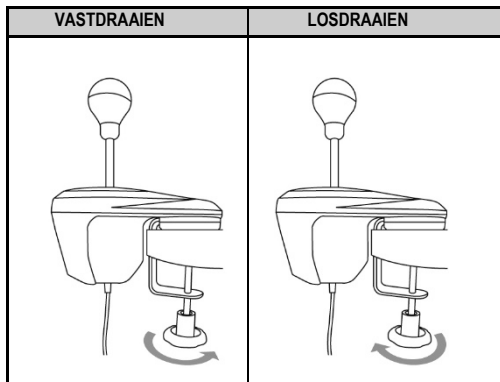
## DE VERSNELLINGSPOOK BEVESTIGEN

De pook is zo ontworpen dat hij op diverse manieren kan worden bevestigd:

- **Tafels, bureaus of planken** van 1 tot 55 mm dik, via het klemsysteem (**H**).
- **Cockpits**, via de ingebouwde schroefdraden (het klemsysteem is afneembaar).

### De versnellingspook op een tafel of bureaublad bevestigen.

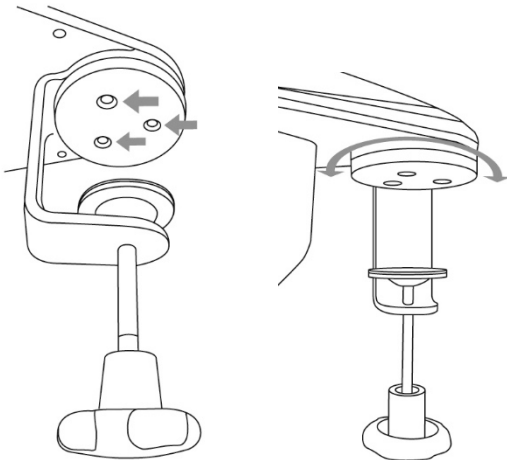
1. Zet de tong van de pook op een tafel of ander vlak oppervlak.
2. Vastdraaien: draai het klemwiel linksom (tegen de wijzers van de klok in).
3. Losdraaien: draai het klemwiel rechtsom (met de wijzers van de klok mee).



## Het klemsysteem plaatsen en draaien (kan tot 360° worden verdraaid)

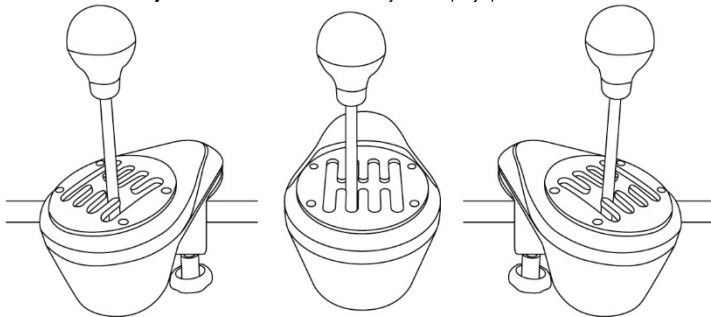
1. Draai met behulp van de meegeleverde 2,5 mm inbusleutel (**E**) de drie boutjes waarmee het klemsysteem (**H**) vastzit een beetje los.

Het klemsysteem (en daarmee de hele schakelpook) kan nu met de hand tot 360° worden gedraaid.



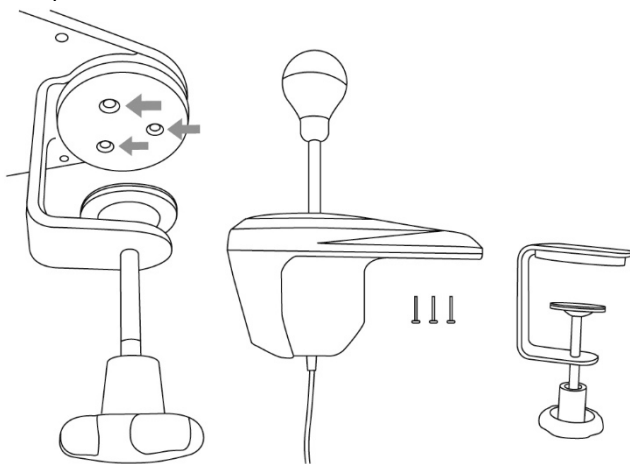
2. Kies de gewenste stand van de pook (hieronder staan drie van de vele mogelijke standen afgebeeld).

Draai de drie boutjes weer vast waarmee het klemsysteem op zijn plaats zit.

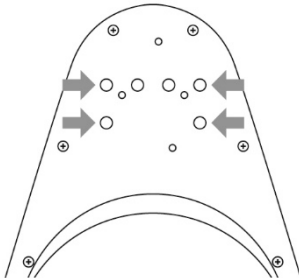


## De versnellingspook in een cockpit monteren

1. Draai met behulp van de meegeleverde 2,5 mm inbussleutel (E) de drie boutjes waarmee het klemstelsel (H) vastzit helemaal los en verwijder de boutjes. Maak het klemstelsel los van de pook.



2. Draai twee M6-boutjes (niet meegeleverd) in de cockpitplank en in twee van de vier smalle schroefdraden (I) onder op de tong van de versnellingspook.



**Let op: gebruik geen M6-boutjes die te lang zijn. Deze kunnen de toplaag van de tong van de pook beschadigen.**

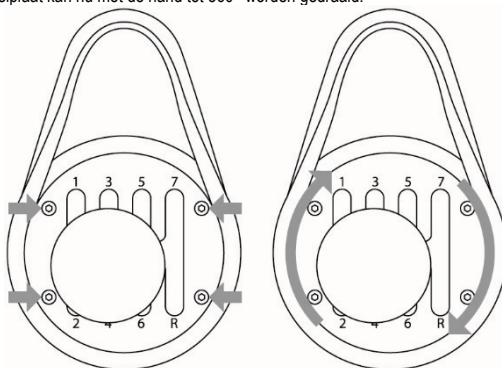
Een montagesjabloon voor cockpits voor de schakelpook is beschikbaar op <https://support.thrustmaster.com> (klik op Racing Wheels / TH8A Shifter, selecteer Handleiding).



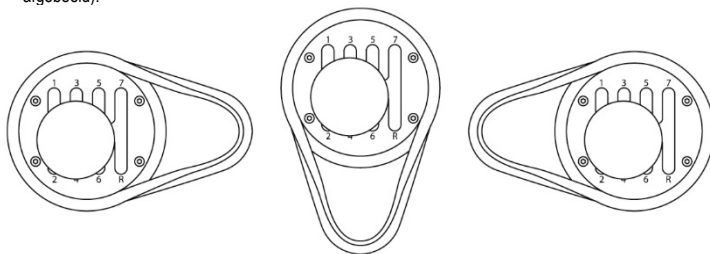
## DE VERSNELLINGSPLAATJES PLAATSEN EN DRAAIEN (KUNNEN TOT 360° WORDEN VERDRAAID)

1. Draai met behulp van de meegeleverde 2,5 mm inbussleutel (**E**) de vier boutjes waarmee de schakelplaat (**C of D**) op zijn plaats zit een beetje los.

De schakelplaat kan nu met de hand tot 360° worden gedraaid.



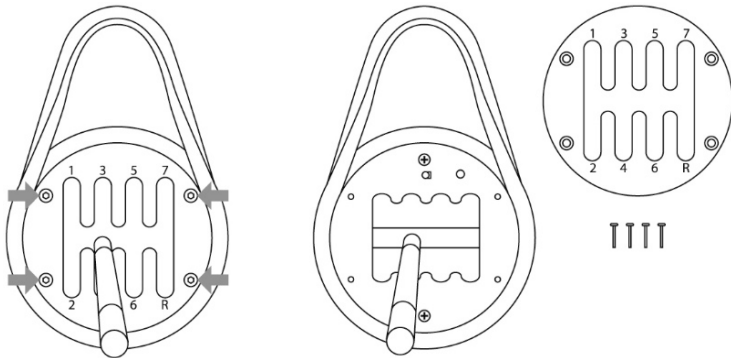
2. Kies de gewenste stand van de pook (hieronder staan drie van de vele mogelijke standen afgebeeld).



3. Draai de vier boutjes weer vast waarmee de schakelplaat op zijn plaats zit.

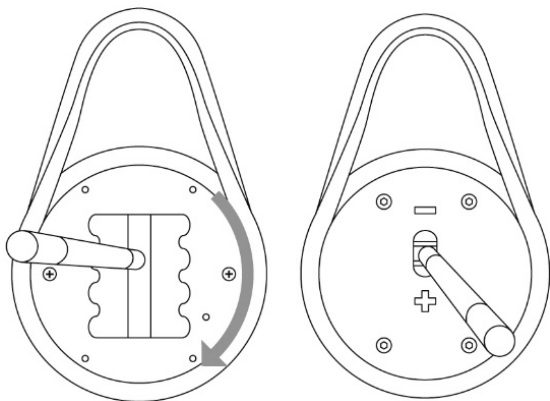
## DE “H-PATROON (7+1)” SCHAKELPLAAT VERWISSELEN VOOR DE “SEQUENTIËLE (+/-)” SCHAKELPLAAT

1. Draai de knop van de schakelpook los (tegen de wijzers van de klok in) en verwijder de knop (A).
2. Draai met behulp van de meegeleverde 2,5 mm inbusleutel (E) de vier boutjes waarmee de “H-patroon (7+1)” schakelplaat vastzit helemaal los. Verwijder de schakelplaat.

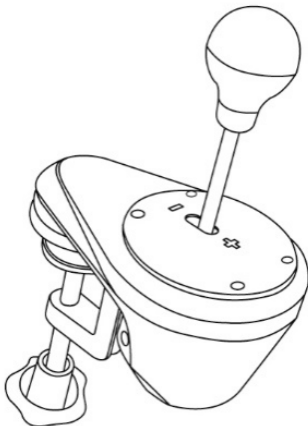


**Let op dat er tijdens het losmaken van de plaat geen boutjes in het mechanisme van de pook vallen.**

3. Draai het binnenwerk met de hand 90° naar rechts (met de wijzers van de klok mee). Installeer vervolgens de “Sequentiële (+/-)” schakelplaat.

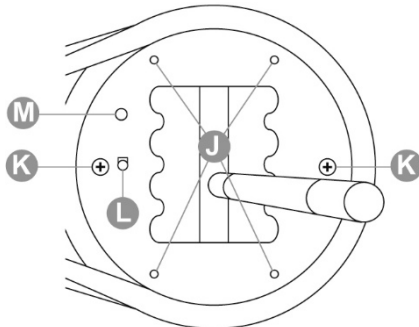


4. Draai met behulp van de meegeleverde 2,5 mm inbussleutel (**E**) de vier boutjes weer goed vast **waarmee de “Sequentiële (+/-)” schakelplaat op zijn plaats wordt gehouden**. Schroef de knop van de schakelpook weer vast (rechtsom, met de wijzers van de klok mee).



**Voer deze procedure in omgekeerde volgorde uit om de “H-patroon (7+1)” schakelplaat te verwisselen.**

## Opmerkingen over de bovenkant van het binnenwerk:



**J:** Vier schroefdraden voor het bevestigen van schakelplaat (**C**) of (**D**).

**K:** Twee boutjes waarmee het binnenwerk vastzit (niet losdraaien).

**L:** Schakelaar die automatisch herkent welke schakelplaat wordt gebruikt ((**C**) of (**D**)). De schakelaar wordt **automatisch** ingedrukt als de "Sequentiële (+/-)" schakelplaat is geïnstalleerd. Houd de schakelaar schoon om problemen bij het detecteren te voorkomen.

**M:** Opening voor het gemakkelijker positioneren van de schakelplaten.

## DE WEERSTAND VAN HET SCHAKELEN AANPASSEN

- \* Is alleen van toepassing op de “H-patroon (7+1)” schakelplaat.
- \* Voordat er een aanpassing wordt gemaakt, **moet** de “H-patroon (7+1)” schakelplaat in de originele positie zijn gemonteerd (zie onderstaande afbeelding).



1. Gebruik een grote schroevendraaier voor het verdraaien van het interne aandraiboutje (G) dat zich linksonder in de pookbehuizing bevindt.
2. De weerstand verhogen: draai het boutje rechtsom (met de wijzers van de klok mee).
3. De weerstand verlagen: draai het boutje linksom (tegen de wijzers van de klok in).



*Het verschil tussen de laagste en de hoogste weerstand is het boutje twee keer volledig rond draaien.*



### Schade aan het system voorkomen:

- Stop met vastdraaien van het boutje als het moeizaam gaat.
- Stop met het losdraaien als het boutje los komt te zitten.

# SETUP-INSTRUCTIES VOOR GAMECONSOLES

## PLAYSTATION®4/PLAYSTATION®5

Afhankelijk van de PS4™/PS5™-game of het racestuur dat u gebruikt:

**PS4™ = Sluit (\*) de TH8A Shifter rechtstreeks aan op de USB-poort van de PS4™.**

- Sluit de DIN-connector van de TH8A Shifter aan op de DIN / USB-kabel.

- Sluit de TH8A Shifter aan op een van de USB-poorten van de PS4™.

- Start de game.

**De TH8A Shifter kan vervolgens gebruikt worden met de H-Patroon (7+1) of de Sequentiële (+/-) schakelplaat.**

**Of**

**PS4™/PS5™ = Sluit (\*) de TH8A Shifter rechtstreeks aan op de voet van het Thrustmaster-racestuur.**

(alleen van toepassing als het Thrustmaster-racestuur is voorzien van ingebouwde schakelpook-connector)

- Sluit de DIN-connector van de TH8A Shifter aan op de afneembare DIN / DIN-kabel.

- Sluit de TH8A Shifter aan op de connector op de achterkant van de voet van het racestuur.

- Sluit uw racestuur aan en start de game.

**De TH8A Shifter kan vervolgens gebruikt worden met de H-Patroon (7+1) of de Sequentiële (+/-) schakelplaat.**

**(\*) Belangrijke aanbevelingen voor het PS4™/PS5™-systeem** (alleen van toepassing als een Thrustmaster-racestuur met een ingebouwde connector voor een schakelpook wordt gebruikt)

- **PS4™/PS5™:** Bij gebruik van de Sequentiële (+/-) schakelplaat van de TH8A Shifter kunt u de schakelpook ook op de achterzijde van het racestuur aansluiten met de afneembare DIN / DIN-kabel. De TH8A Shifter is dan verbonden met de UP (= R1) en DOWN (= L1) schakelflippers van het racestuur.

Met dit racestuur werkt de Sequentiële (+/-) schakelplaat van de TH8A Shifter met 100% van de PS4™/PS5™-racegames die compatibel zijn met het racestuur.

- **PS4™:** In sommige games is het mogelijk twee TH8A Shifters tegelijkertijd te gebruiken:

• Eén TH8A Shifter met H-patroon (7+1) schakelplaat aangesloten op USB-poort van PS4™

• Eén TH8A Shifter met Sequentiële (+/-) schakelplaat aangesloten op achterzijde van racestuur

\* Een overzicht van games voor de PS4™/PS5™ die compatibel zijn met de TH8A Shifter en de van toepassing zijnde aansluitinstructies (\*) (verschillend per game) zijn beschikbaar op: <https://support.thrustmaster.com> (klik op Racing Wheels / TH8A Shifter, selecteer Spellen instellingen). Dit overzicht wordt regelmatig bijgewerkt.

\* Op PS4™-systemen raden wij u aan geen USB-hub te gebruiken bij het aansluiten van het racestuur of de TH8A Shifter. Sluit het apparaat altijd rechtstreeks aan op de USB-poorten van de PS4™.

\* Voor sommige games is het voor een correct functioneren nodig dat u de meest recente updates voor de TH8A Shifter installeert (uw gameconsole moet verbonden zijn met internet).

## XBOX ONE/XBOX SERIES

**= Sluit bij elke Xbox One/Xbox Series-game de TH8A Shifter altijd rechtstreeks aan op de voet van het Thrustmaster-racestuur en NOOIT op de USB-poort van de gameconsole.**

- Sluit de **DIN**-connector van de TH8A Shifter aan op de afneembare **DIN / DIN**-kabel.
- Sluit de TH8A Shifter aan op de connector op de achterkant van de voet van het racestuur.
- Sluit uw racestuur aan en start de game.

**De TH8A Shifter kan vervolgens gebruikt worden met de H-Patroon (7+1) of de Sequentiële (+/-) schakelplaat.**

### **Belangrijke opmerking over de Xbox One/Xbox Series:**

Bij gebruik van de Sequentiële (+/-) schakelplaat van de TH8A Shifter is de schakelpook verbonden met de UP (= RB) en DOWN (= LB) schakelflippers van het racestuur.

**Met dit racestuur werkt de Sequentiële (+/-) schakelplaat van de TH8A Shifter met 100% van de Xbox One/Xbox Series-racegames die compatibel zijn met het racestuur.**

\* Een overzicht van Xbox One/Xbox Series-games die compatibel zijn met de TH8A Shifter is te vinden op: <https://support.thrustmaster.com> (klik op Racing Wheels / TH8A Shifter, selecteer Spellen instellingen). Dit overzicht wordt regelmatig bijgewerkt.

\* Voor sommige games is het voor een correct functioneren nodig dat u de meest recente updates voor de TH8A Shifter installeert (uw gameconsole moet verbonden zijn met internet).



**Om de compatibiliteit van uw Thrustmaster-racestuur voor de Xbox One/Xbox Series met de TH8A Shifter te waarborgen, moet u mogelijk de firmware van het racestuur via uw pc bijwerken met de nieuwste versie die te downloaden is op: <https://support.thrustmaster.com> (klik op Racing Wheels / TH8A Shifter, selecteer Firmware).**

## SETUP-INSTRUCTIES VOOR DE PC

### = Sluit bij elke pc-game (\*) de TH8A Shifter altijd rechtstreeks aan op een van de USB-poorten van de pc.

- Sluit de DIN-connector van de TH8A Shifter aan op de DIN / USB-kabel.
- Sluit de TH8A Shifter aan op een van de USB-poorten van de pc.
- De TH8A Shifter is een Plug & Play apparaat wanneer het is aangesloten op een pc en wordt automatisch gedetecteerd en geïnstalleerd.
- Het apparaat verschijnt vervolgens als 'T500 RS Gear Shift' in het Configuratiescherm van Windows®.
- Klik op Eigenschappen om de functies van het apparaat te bekijken en te testen.
- Start de game.

**Nu kan er geracet worden!**

(\*) **Belangrijke aanbevelingen voor een pc** (alleen van toepassing als een Thrustmaster-racestuur met een ingebouwde connector voor een schakelpook wordt gebruikt)

- Bij gebruik van de Sequentiële (+/-) schakelplaat van de TH8A Shifter kunt u de schakelpook ook op de achterzijde van het racestuur aansluiten met de afneembare DIN / DIN-kabel. De TH8A Shifter is dan verbonden met de UP (= 2) en DOWN (= 1) schakelknoppen van het racestuur. Met dit racestuur werkt de Sequentiële (+/-) schakelplaat van de TH8A Shifter met 100% van de pc-racegames die compatibel zijn met het racestuur.
- In sommige games is het mogelijk **twee TH8A Shifters tegelijkertijd te gebruiken**:
  - Eén TH8A Shifter met een H-patroon (7+1) schakelplaat aangesloten op de USB-poort van de pc
  - Eén TH8A Shifter met een Sequentiële (+/-) schakelplaat aangesloten op de achterzijde van het racestuur

\* Op een pc is de *Thrustmaster-schakelpook compatibel met:*

- alle games die **MULTI-USB** en schakelpoken ondersteunen.
- alle racesturen op de markt.

\* Wij adviseren het racestuur en de TH8A Shifter rechtstreeks aan te sluiten op een USB 2.0-poort (geen USB 3.0) van de pc en niet via een USB-hub.

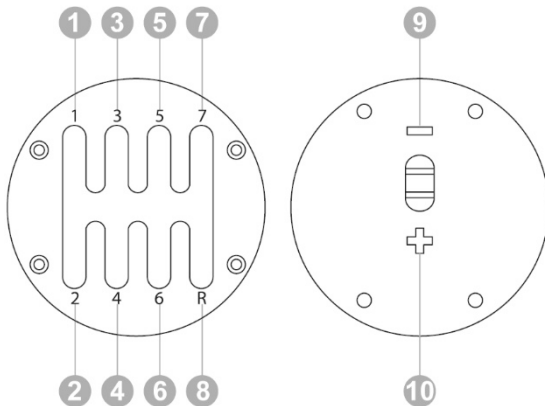
\* Voor sommige pc-games, **moeten** de meest recente updates worden geïnstalleerd via internet voor een blijvende correcte werking van de TH8A-schakelpook.

\* Voor sommige pc-games kan het om conflicten tussen het stuur en de pook te voorkomen, nodig zijn om :

- niets toe te wijzen aan de schakelknoppen van het stuur.
- de functie "Hold button for gear" (Knop vasthouden voor versnelling) in te schakelen.



## MAPPING OP DE PC



## SOFTWAREBUNDEL

Een "softwarebundel" is te downloaden op: <https://support.thrustmaster.com> (klik op Racing Wheels / TH8A Shifter, selecteer Drivers).

- Functionaliteit van de softwarebundel:

- \* controleren van de firmwareversie van de schakelpook.
- \* de firmware bijwerken, indien nodig, met de meest recente versie.
- \* gebruik van de "BOOTLOADER-methode"  
(de werking van de schakelpook herstellen als de firmware niet meer werkt)
- \* toegang tot een specifiek Controlepaneel (gamecontroller) op de pc.
- \* op de pc genieten van de analoge modus (handrem)

## GEAVANCEERDE KALIBRATIESOFTWARE

De kalibratie van het schakelen van de TH8A gebeurt automatisch.

U kunt geavanceerde kalibratiesoftware voor de pc downloaden op: <https://support.thrustmaster.com> (klik op Racing Wheels / TH8A Shifter, selecteer Software). Hiermee stelt u de gewenste slag van de pook in.

De gemaakte instellingen worden onmiddellijk opgeslagen in het interne geheugen van de pook en kunnen op de pc, PS4™/PS5™ en Xbox One/Xbox Series worden gebruikt.

# SAMENVATTENDE INSTRUCTIES VOOR HET AANSLUITEN VAN DE TH8A SHIFTER OP VERSCHILLENDE SYSTEMEN

	De TH8A Shifter aansluiten
PS4™	Afhankelijk van de game of het racestuur(*): - Of rechtstreeks op de PS4™/PS5™ (USB) - Of op de achterkant van het racestuur (DIN)
PS5™	Altijd op de achterkant van het racestuur (DIN)
XBOX ONE/XBOX SERIES	Altijd op de achterkant van het racestuur (DIN)
PC	Altijd(*) rechtstreeks op de pc (USB)

(\*) Raadpleeg voor meer informatie over eventuele uitzonderingen de **Belangrijke aanbevelingen** op de betreffende pagina's van de handleiding.

## WAARSCHUWING

\* Sluit de TH8A Shifter nooit rechtstreeks aan op een ander apparaat dan een Thrustmaster-racestuur, zelfs als het apparaat beschikt over een identieke DIN-connector. Dit kan schade veroorzaken aan de TH8A Shifter of het andere apparaat.

## VERHELPEN VAN PROBLEMEN

\* Mijn schakelpook werkt niet goed of lijkt niet goed gekalibreerd te zijn:

- Zet de computer of console uit, koppel de schakelpook los, sluit de pook opnieuw aan en start de game opnieuw op.
- Ga in de game naar het menu met opties voor de controller en selecteer de beste configuratie, of maak deze aan.
- Raadpleeg de handleiding of de online help van de game voor meer informatie.

- Aanvullende helpinformatie en tips (niet aanwezig in deze handleiding), een overzicht van compatibele games, enz. zijn beschikbaar op de website <https://support.thrustmaster.com>. Klik op Racing Wheels / TH8A Shifter.

- Om op de Xbox One/Xbox Series de compatibiliteit van uw Thrustmaster-racestuur voor de Xbox One/Xbox Series met de TH8A Shifter te waarborgen, moet u mogelijk de firmware van het racestuur via uw pc bijwerken met de nieuwste versie die te downloaden is op: <https://support.thrustmaster.com> (klik op Racing Wheels / TH8A Shifter, selecteer Firmware).

## **Informatie met betrekking tot kopersgarantie**

Wereldwijd garandeert Guillemot Corporation S.A., het statutair adres gevestigd aan de Place du Granier, B.P. 97143, 35571 Chantepie, Frankrijk, (hierna te noemen "Guillemot") aan de koper dat dit Thrustmaster-product vrij zal zijn van materiaal- en fabricagefouten gedurende een garantieperiode gelijk aan de tijd maximaal vereist om een restitutie/vervanging voor dit product te claimen. In landen van de Europese Unie komt dit overeen met een periode van twee (2) jaar vanaf het moment van levering van het Thrustmaster-product. In andere landen komt de garantieperiode overeen met de tijd maximaal vereist om een restitutie/vervanging voor dit Thrustmaster-product te claimen zoals wettelijk is vastgelegd in het land waarin de koper woonachtig was op de datum van aankoop van het Thrustmaster-product. Indien een dergelijk claimrecht niet wettelijk is vastgelegd in het betreffende land, geldt een garantieperiode van één (1) jaar vanaf datum aankoop van het Thrustmaster-product.

Indien u in de garantieperiode een defect meent te constateren aan dit product, neem dan onmiddellijk contact op met Technical Support die u zal informeren over de te volgen procedure. Als het defect wordt bevestigd, dient het product te worden geretourneerd naar de plaats van aankoop (of een andere locatie die wordt opgegeven door Technical Support).

Binnen het gestelde van deze garantie wordt het defecte product van de koper gerepareerd of vervangen, zulks ter beoordeling van Technical Support. Indien het Thrustmaster-product tijdens de garantieperiode is onderworpen aan een dergelijk herstel, wordt elke periode van ten minste zeven (7) dagen waarin het product niet in gebruik is, opgeteld bij de resterende garantieperiode (deze periode loopt vanaf de datum van verzoek van de consument voor interventie of vanaf de datum waarop het product in kwestie beschikbaar is gesteld voor herstel als de datum waarop het product ter beschikking wordt gesteld voor herstel later is dan de datum van het verzoek om interventie). Indien toegestaan door van toepassing zijnde wetgeving, beperkt de volledige aansprakelijkheid van Guillemot en haar dochterondernemingen (inclusief de aansprakelijkheid voor vervolgschade) zich tot het repareren of vervangen van het Thrustmaster-product. Indien toegestaan door van toepassing zijnde wetgeving, wijst Guillemot elke garantie af met betrekking tot verhandelbaarheid of geschiktheid voor enig doel.

Deze garantie is niet van kracht: (1) indien het product aangepast, geopend of gewijzigd is, of beschadigd is ten gevolge van oneigenlijk of onvoorzichtig gebruik, verwaarlozing, een ongeluk, normale slijtage, of enige andere oorzaak die niet gerelateerd is aan een materiaal- of fabricagefout (inclusief maar niet beperkt tot het combineren van het Thrustmaster-product met enig ongeschikt element waaronder in het bijzonder voedingsadapters, oplaadbare batterijen, opladers of enig ander element niet geleverd door Guillemot voor dit product); (2) als het product is gebruikt voor enig ander doel dan thuisgebruik, zoals maar niet exclusief een professioneel of commercieel doel (bijvoorbeeld game rooms, training, wedstrijden); (3) indien u zich niet houdt aan de instructies zoals verstrekt door Technical Support; (4) op software die onder een specifieke garantie valt; (5) op verbruiksartikelen (elementen die tijdens de levensduur van het product worden vervangen zoals bijvoorbeeld batterijen of pads van een headset of koptelefoon); (6) op accessoires (zoals bijvoorbeeld kabels, behuizingen, hoesjes, etui's, draagtassen of polsbandjes); (7) indien het product werd verkocht op een openbare veiling.

Deze garantie is niet overdraagbaar.

De wettelijke rechten van de koper die in zijn/haar land van toepassing zijn op de verkoop van consumentproducten worden op geenlei wijze door deze garantie beperkt.

## **Aanvullende garantiebepalingen**

Gedurende de garantieperiode zal Guillemot in principe nooit reserveonderdelen leveren omdat Technical Support de enige partij is die bevoegd is een Thrustmaster-product te openen en/of te herstellen (met uitzondering van een herstelprocedure die de klant door Technical Support gevraagd wordt uit te voeren met behulp van schriftelijke instructies –omdat deze procedure bijvoorbeeld eenvoudig is en het herstelproces niet vertrouwelijk is –en door het verstrekken aan de consument van de benodigde onderdelen, indien van toepassing).

Gezien de innovatiecycli en om haar knowhow en handelsgeheimen te beschermen, zal Guillemot in principe nooit een herstelbeschrijving of reserveonderdelen verstrekken voor een Thrustmaster-product waarvan de garantieperiode is verstreken.

## **Aansprakelijkheid**

Indien toegestaan door van toepassing zijnde wetgeving, wijzen Guillemot Corporation S.A. (hierna te noemen "Guillemot") en haar dochterondernemingen alle aansprakelijkheid af voor enige schade veroorzaakt door één van de volgende oorzaken: (1) indien het product aangepast, geopend of gewijzigd is; (2) de montage-instructies niet zijn opgevolgd; (3) oneigenlijk of onvoorzichtig gebruik, verwaarlozing, een ongeluk (bijvoorbeeld stoten); (4) normale slijtage; (5) het gebruik van het product voor enig ander doel dan thuisgebruik, zoals maar niet exclusief een professioneel of commercieel doel (bijvoorbeeld game rooms, training, wedstrijden). Indien toegestaan onder van toepassing zijnde wetgeving, wijzen Guillemot en haar dochterondernemingen alle aansprakelijkheid af voor enige schade aan dit product niet gerelateerd aan een materiaal- of fabricagefout (inclusief maar niet beperkt tot enige schade direct of indirect veroorzaakt door enige software, of door het combineren van het Thrustmaster-product met enig ongeschikt element waaronder in het bijzonder voedingsadapters, oplaadbare batterijen, opladers of enig ander element niet geleverd door Guillemot voor dit product).

## COPYRIGHT

© 2021 Guillemot Corporation S.A. Alle rechten voorbehouden. Thrustmaster® is een geregistreerd handelsmerk van Guillemot Corporation S.A. PlayStation® is een geregistreerd handelsmerk van Sony Interactive Entertainment Inc. Windows® is een geregistreerd handelsmerk van Microsoft Corporation in de Verenigde Staten en/of andere landen. Alle andere handelsmerken zijn eigendom van de respectieve eigenaren. Afbeeldingen zijn niet bindend. Inhoud, ontwerp en specificaties kunnen zonder kennisgeving vooraf worden gewijzigd en kunnen per land verschillen. Geproduceerd in China.

## AANBEVELINGEN VOOR DE BESCHERMING VAN HET MILIEU



\* In de Europese Unie: Gooi dit product na het einde van de levensduur niet weg met het normale afval, maar breng het naar het door uw gemeente aangewezen inzamelpunt voor elektrische en/of computerapparatuur.

Ter herinnering is hiertoe op het product, de gebruikshandleiding of de verpakking een symbool aangebracht.

De meeste materialen kunnen worden gerecycled. Door recycling en andere methoden voor verantwoorde verwerking van afgedankte elektrische en elektronische apparaten kunt u een belangrijke bijdrage leveren aan de bescherming van het milieu.

Neem contact op met uw gemeente voor informatie over een inzamelpunt bij u in de buurt.

In alle andere landen: houd u aan de plaatselijk milieuwetgeving voor elektrische en elektronische apparaten.

Bewaar deze informatie. De kleuren en decoraties kunnen variëren.

Plastic bevestigingen en hechtmaterialen moeten van het product worden verwijderd voordat het wordt gebruikt.

[www.thrustmaster.com](http://www.thrustmaster.com)

*\*Alleen van toepassing in de EU, het VK en Turkije*



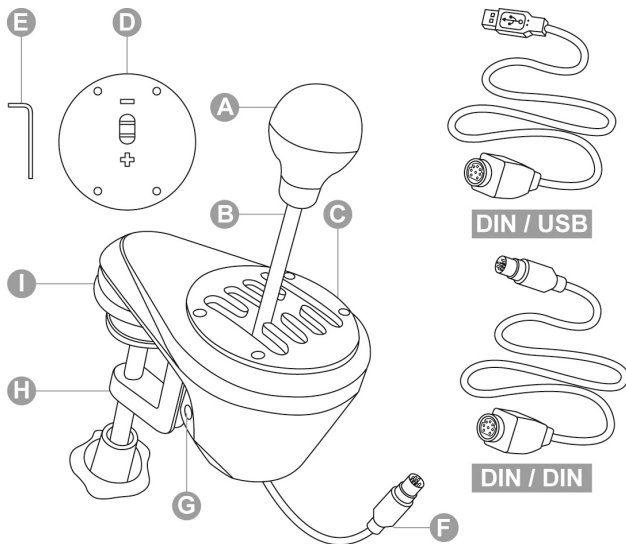
**THRUSTMASTER®**

TECHNISCHE ONDERSTEUNING

<https://support.thrustmaster.com>



## PlayStation®4/PlayStation®5 – Xbox One/Xbox Series – PC Manuale d'uso



### CARATTERISTICHE TECNICHE

**A** Pomello del cambio rimovibile  
(non preventivamente installato)

**B** Leva

**C** Placca metallica del cambio in stile "H (7+1)"  
(preventivamente installata)

**D** Placca metallica del cambio in stile  
"Sequenziale (+/-)"  
(non preventivamente installato)

**E** Chiave Allen da 2,5 mm (inclusa)

**F** Cavo e connettore DIN

**G** Vite interna di tensionamento

**H** Sistema di fissaggio a morsa regolabile

**I** "Fori delle viti" per il fissaggio all'abitacolo

**DIN / USB** Cavo rimovibile DIN / USB

**DIN / DIN** Cavo rimovibile DIN / DIN

## ATTENZIONE

Prima di utilizzare questo prodotto, assicurati di aver letto con attenzione il presente manuale. Conserva questo manuale per una futura consultazione.



### **Attenzione – Shock elettrico**

- \* Conserva questo prodotto in un luogo asciutto e non esporlo alla polvere o alla luce del sole.
- \* Rispetta la direzione di inserimento dei connettori.
- \* Non torcere e non tirare i connettori e i cavi.
- \* Non versare liquidi sul prodotto e sui relativi connettori.
- \* Non cortocircuitare il prodotto.
- \* Non smontare questo prodotto (eccezion fatta per i possibili aggiustamenti descritti nel presente manuale), non cercare di bruciare il prodotto e non esporlo alle alte temperature.



### **Attenzione – Infortuni causati da movimenti ripetuti**

Giocare con un sistema di cambio marcia può causare dolori ai muscoli e alle articolazioni. Per evitare qualsiasi problema:

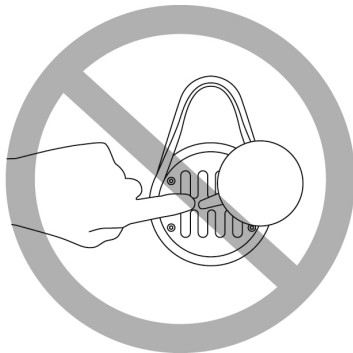
- \* Evita di giocare per lunghi periodi di tempo.
- \* Fai una pausa di 10 - 15 minuti ogni ora di gioco.
- \* Se dovessi provare stanchezza o dolore alle mani, ai polsi o alle braccia, smetti di giocare e riposati per qualche ora prima di ricominciare a giocare.
- \* Qualora i sintomi o i dolori descritti in precedenza dovessero ripresentarsi anche dopo aver ricominciato, smetti immediatamente di giocare e consulta il tuo dottore.
- \* Verifica che la base o il cambio siano stati fissati correttamente, così come descritto nelle istruzioni riportate nel presente manuale.



### **Attenzione – Rischio di schiacciamento a causa delle aperture presenti nelle placche del cambio**

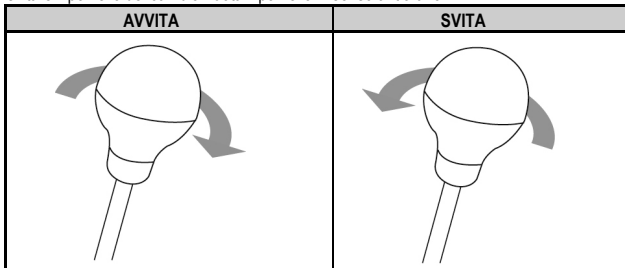
- \* Tenere lontano dalla portata dei bambini.
- \* Quando giochi, non appoggiare mai le tue dita (o qualsiasi altra parte del corpo) nelle aperture presenti nelle placche del cambio.

**MAI**



## INSTALLAZIONE DEL POMELLO DEL CAMBIO

1. Per avvitare il pomello del cambio (**A**) alla relativa leva (**B**): ruota il pomello del cambio in senso orario.
2. Per svitare il pomello del cambio: ruota il pomello in senso antiorario.



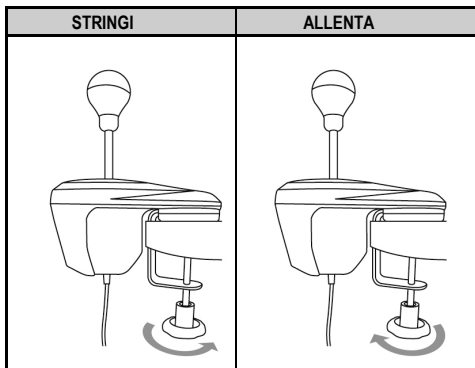
## FISSAGGIO DEL SISTEMA DI CAMBIO MARCIA

Il montaggio risulta ottimale con qualsiasi tipo di supporto:

- Tavoli, scrivanie o ripiani da 1 a 55 mm di spessore, tramite il sistema a morsa (**H**).
- Abitacolo, utilizzando i "fori per le viti" integrati (il sistema a morsa è rimovibile).

### Fissaggio del sistema di cambio di marcia a un tavolo o a una scrivania

1. Posiziona la punta del cambio su un tavolo o su altra superficie piana.
2. Per stringere: ruota la rotella della morsa in senso antiorario.
3. Per allentare: ruota la rotella della morsa in senso orario.

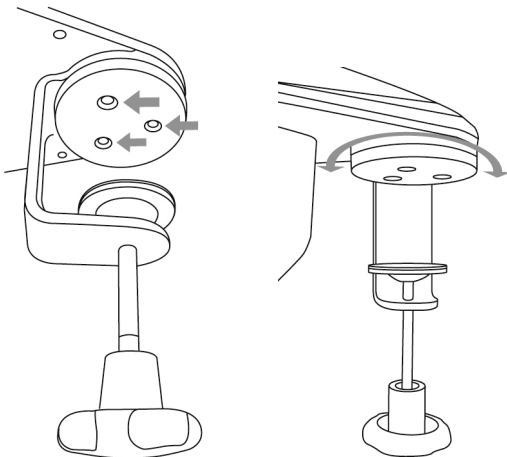




## Posizionamento e rotazione del sistema a morsa (può essere regolato a 360°)

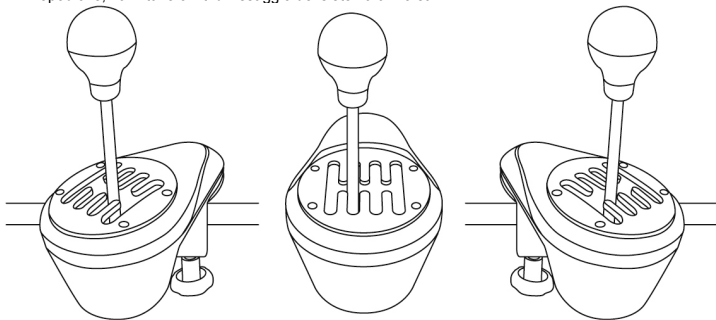
1. Utilizzando l'acclusa chiave Allen da 2,5 mm (**E**), svita appena le 3 viti di fissaggio del sistema a morsa (**H**).

Il sistema a morsa (e di conseguenza tutto il cambio) può ora essere ruotato manualmente a 360°.



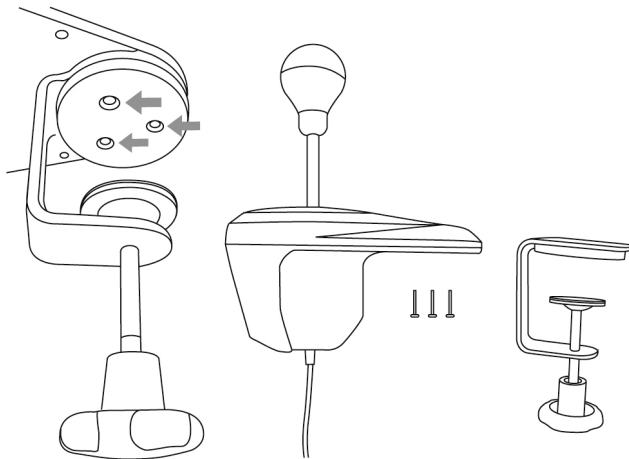
2. Scegli la tua posizione preferita lungo i 360° di rotazione (riportiamo qui sotto 3 diversi esempi, scelti tra le svariate posizioni possibili).

Dopodiché, riavvita le 3 viti di fissaggio del sistema a morsa.

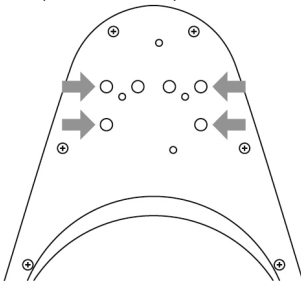


## Fissaggio del sistema di cambio marcia ad un abitacolo

1. Utilizzando l'acclusa chiave Allen da 2,5 mm (E), **svita completamente e rimuovi** le 3 viti di fissaggio del sistema a morsa (H). Rimuovi il sistema a morsa dal cambio.



2. Dopo aver rimosso il sistema a morsa, avvita 2 viti "M6" (non incluse) all'abitacolo e in 2 dei 4 piccoli "fori delle viti" (I) presenti nella parte inferiore della punta del cambio.

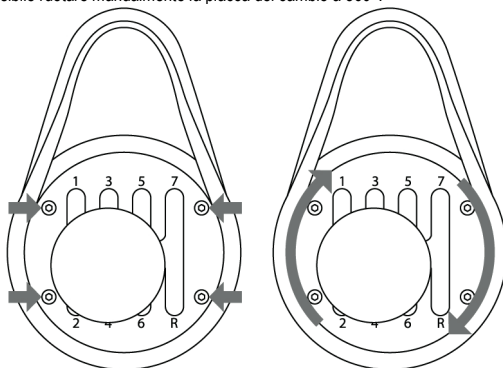


**Assicurati di non utilizzare viti "M6" troppo lunghe: potresti forare e danneggiare la parte superiore della punta del cambio.**

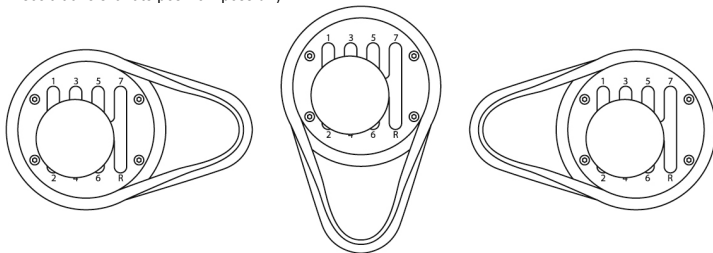
Un modello di fissaggio del cambio a un abitacolo è disponibile sul sito <https://support.thrustmaster.com> (clicca su Volanti / TH8A Shifter, dopodiché seleziona Manuale).

## POSIZIONAMENTO E ROTAZIONE DELLE PLACCHE DEL CAMBIO (POSSONO ESSERE REGOLATE A 360°)

1. Utilizzando l'acclusa chiave Allen da 2,5 mm (**E**), **svita leggermente** le 4 viti di fissaggio della placca metallica del cambio (**C o D**).  
È ora possibile ruotare manualmente la placca del cambio a 360°.



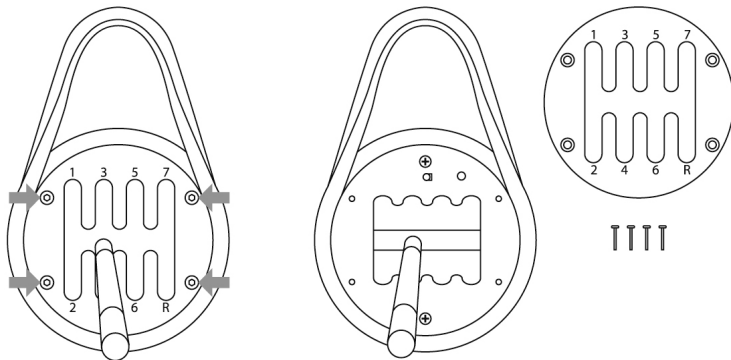
2. Scegli la tua posizione preferita lungo i 360° di rotazione (riportiamo qui sotto 3 diversi esempi, scelti tra le svariate posizioni possibili).



3. Riavvita le 4 viti di fissaggio della placca del cambio.

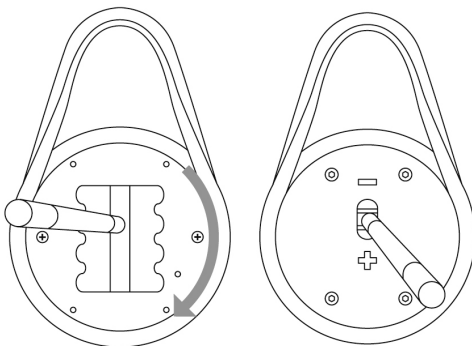
## SOSTITUZIONE DELLA PLACCA METALLICA IN STILE “H (7+1)” CON LA PLACCA IN STILE “SEQUENZIALE (+/-)”

1. Svita (in senso antiorario) e rimuovi il pomello del cambio (A).
2. Utilizzando l'acclusa chiave Allen da 2,5 mm (E), **svita completamente e rimuovi** le 4 viti di fissaggio della placca del cambio in stile “H (7+1)”. Rimuovi la placca del cambio.

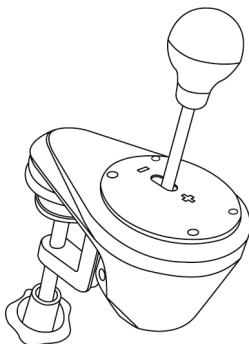


**Durante questa procedura, fai attenzione a non lasciar accidentalmente cadere nessuna vite nel meccanismo interno.**

3. Ruota manualmente la struttura interna di 90° verso destra (in senso orario). Dopodiché, installa la placca del cambio “Sequenziale (+/-)”.

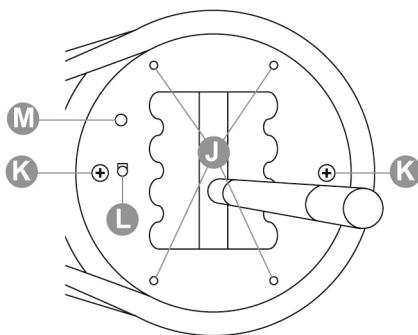


4. Utilizzando l'acclusa chiave Allen da 2,5 mm (**E**), reinserisci e stringi a fondo le 4 viti di bloccaggio della placca del cambio "Sequenziale (+/-)". Riavvita il pomello del cambio (in senso orario).



**Per sostituire la placca del cambio ad "H (7+1)" esegui questa procedura al contrario.**

## Note riguardanti la cover superiore della struttura interna:



**J:** 4 "fori per le viti" per il fissaggio delle placche del cambio (**C o D**).

**K:** 2 viti che bloccano la struttura interna (non svitarle).

**L:** Pulsante che individua automaticamente il tipo di placca del cambio utilizzata (**C o D**). Viene premuto **automaticamente** quando viene installata la placca del cambio "Sequenziale (+/-)". Per evitare problemi di rilevazione, mantieni sempre pulita quest'area.

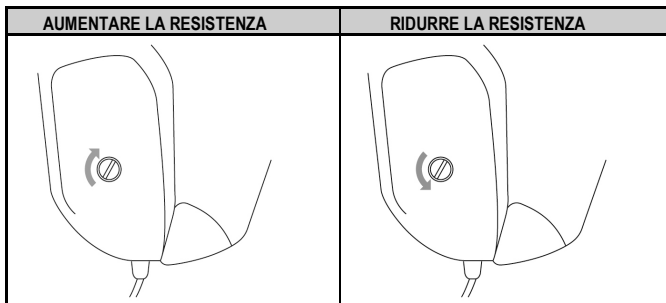
**M:** Slot per un più facile posizionamento delle placche del cambio.

## REGOLAZIONE DELLA RESISTENZA DEL CAMBIO

- \* Applicabile soltanto alla placca del cambio ad "H (7+1)".
- \* Prima di effettuare una qualsiasi regolazione, la placca del cambio ad "H (7+1)" **deve** essere installata nella sua posizione originale (vedi la figura qui sotto).



1. Munendoti di un cacciavite grande con la punta a taglio, infila il cacciavite nella testa della vite interna di tensionamento (**G**), presente nella parte inferiore sinistra della scatola del cambio.
2. Per aumentare leggermente la resistenza: gira la vite in senso orario.
3. Per ridurre leggermente la resistenza: gira la vite in senso antiorario.



**Per passare da un estremo all'altro, sono sufficienti 2 giri completi.**



**Per evitare di danneggiare il sistema:**

- Se avverti una resistenza consistente, non stringere più la vite.
- Se la leva del cambio dovesse diventare molle e traballante, non allentare più la vite.

# ISTRUZIONI DI INSTALLAZIONE PER CONSOLE

## PLAYSTATION®4/PLAYSTATION®5

A seconda del gioco per PS4™/PS5™ o al volante che stai utilizzando:

**PS4™ = Collega(\*) il cambio TH8A direttamente alla porta USB della PS4™**

- Collega il connettore **DIN** del cambio TH8A al cavo **DIN / USB**.
- Collega il cavo TH8A ad una delle porte USB della tua PS4™.
- Avvia il gioco.

**Il cambio TH8A può quindi funzionare sia con la placca ad H (7+1) che con la placca SEQUENZIALE (+/-).**

**Oppure**

**PS4™/PS5™ = Collega(\*) il cambio TH8A direttamente alla base del volante Thrustmaster**

(da considerarsi soltanto se il tuo volante Thrustmaster è dotato di connettore per cambi integrato)

- Collega il connettore **DIN** del cambio TH8A al **cavo rimuovibile DIN / DIN**.
- Collega il cambio TH8A al connettore per cambi presente sul retro della base del volante.
- Collega il tuo volante, dopodiché avvia il gioco.

**Il cambio TH8A può quindi funzionare sia con la placca ad H (7+1) che con quella SEQUENZIALE (+/-).**

**(\*) Raccomandazioni importanti per il sistema PS4™/PS5™** (da considerarsi soltanto se si utilizza un volante Thrustmaster dotato di connettore per cambi integrato)

- **PS4™/PS5™: Utilizzando la placca SEQUENZIALE (+/-) del cambio TH8A, potrai collegare il cambio anche al retro del volante, tramite il cavo rimuovibile DIN / DIN.** Il cambio TH8A verrà quindi collegato alle leve del cambio UP (= R1) e DOWN (= L1) del volante.

Con questo volante, la placca SEQUENZIALE (+/-) del cambio TH8A funzionerà al 100% con i giochi di guida per PS4™/PS5™ compatibili con il volante.

- **PS4™:** Alcuni giochi ti permettono di **utilizzare due cambi TH8A contemporaneamente:**

- Un cambio TH8A con placca ad H (7+1), collegato alla porta USB della PS4™
- + un cambio TH8A con placca SEQUENZIALE (+/-), collegato al retro del volante

\* Un elenco di giochi per PS4™/PS5™ compatibili con il cambio TH8A, con le relative istruzioni per le connessioni(\*) (variabili a seconda del gioco), è disponibile qui: <https://support.thrustmaster.com> (clicca su Volanti / TH8A Shifter, dopodiché seleziona Impostazioni giochi). Questo elenco viene aggiornato regolarmente.

\* Su sistemi PS4™, per collegare il volante o il cambio TH8A alla console, ti consigliamo di non utilizzare un hub USB: collega la periferica direttamente a una porta USB della PS4™.

\* Per un corretto funzionamento del cambio TH8A, alcuni giochi richiedono l'installazione degli aggiornamenti più recenti (la tua console deve essere collegata a internet).



## XBOX ONE/XBOX SERIES

**= Con tutti i giochi per Xbox One/Xbox Series, collega sempre il cambio TH8A direttamente alla base del volante Thrustmaster (e MAI alla porta USB della console).**

- Collega il connettore **DIN** del cambio TH8A al **cavo rimovibile DIN / DIN**.

- Collega il cambio TH8A al connettore per cambi presente sul retro della base del volante. – Collega il tuo volante, dopodiché avvia il gioco.

**Il cambio TH8A può quindi funzionare sia con la placca ad H (7+1) che con quella SEQUENZIALE (+/-).**

### **Nota importante a proposito di Xbox One/Xbox Series:**

Utilizzando la placca SEQUENZIALE (+/-) del cambio TH8A, il cambio verrà collegato alle leve del cambio UP (= RB) e DOWN (= LB) del volante.

**Utilizzando la placca SEQUENZIALE (+/-) del cambio TH8A, il cambio TH8A funzionerà al 100% con i giochi di guida per Xbox One/Xbox Series compatibili con il volante Thrustmaster per Xbox One/Xbox Series.**

\* Un elenco di giochi per Xbox One/Xbox Series compatibili con il cambio TH8A è disponibile qui:

<https://support.thrustmaster.com> (clicca su Volanti / TH8A Shifter, dopodiché seleziona Impostazioni giochi). Questo elenco viene aggiornato regolarmente.

\* Per un corretto funzionamento del cambio TH8A, alcuni giochi richiedono l'installazione degli aggiornamenti più recenti (la tua console deve essere collegata a internet).



**Affinché il tuo volante Thrustmaster per Xbox One/Xbox Series risulti compatibile con il cambio TH8A, ti potrebbe essere richiesto di aggiornare, via PC, il firmware del volante alla versione più recente, disponibile qui: <https://support.thrustmaster.com> (clicca su Volanti / TH8A Shifter, dopodiché seleziona Firmware).**

## ISTRUZIONI DI INSTALLAZIONE PER PC

### = Con tutti i giochi per PC(\*), collega sempre il cambio TH8A direttamente ad una delle porte USB del PC.

- Collega il connettore **DIN** del cambio TH8A al cavo **DIN / USB**.
- Collega il cambio TH8A ad una delle porte USB del tuo PC.
- Quando è connesso a un PC, il cambio TH8A è a tutti gli effetti una periferica Plug & Play e viene pertanto riconosciuta e installata automaticamente.
- La periferica compare quindi come 'T500 RS Gear Shift' nel Pannello di Controllo di Windows®.
- Clicca su Proprietà per testare e visualizzare le funzioni della periferica.
- Avvia il gioco.

**Ora sei pronto/a per gareggiare!**

### (\* **Raccomandazioni importanti per PC** (da considerarsi soltanto se si utilizza un volante Thrustmaster dotato di connettore per cambi integrato)

- **Utilizzando la placca SEQUENZIALE (+/-) del cambio TH8A, potrai collegare il cambio anche al retro del volante, tramite il cavo rimovibile DIN / DIN.** Il cambio TH8A verrà quindi collegato alle leve del cambio UP (= 2) e DOWN (= 1) del volante.

Con questo volante, la placca SEQUENZIALE (+/-) del cambio TH8A funzionerà al 100% con i giochi di guida per PC compatibili con il volante.

- Alcuni giochi ti permettono di **utilizzare due cambi TH8A contemporaneamente:**

Un cambio TH8A con placca ad H (7+1), collegato alla porta USB del PC

+ un cambio TH8A con placca SEQUENZIALE (+/-), collegato al retro del volante

\* Su PC, il cambio Thrustmaster è compatibile con:

- tutti i giochi che supportano i sistemi di cambio marcia e il MULTI-USB.
- tutti i volanti disponibili sul mercato.

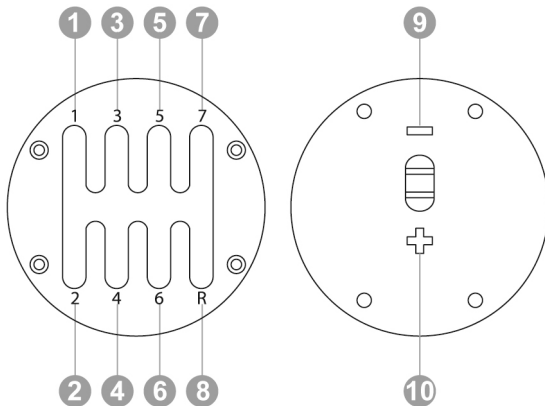
\* Ti consigliamo di collegare il tuo volante e il cambio TH8A direttamente alle porte USB 2.0 del tuo PC (e non alle porte USB 3.0), senza utilizzare alcun hub.

\* Con alcuni giochi su PC, per far funzionare correttamente il cambio Thrustmaster, **devrai** installare gli ultimi aggiornamenti disponibili per i giochi in questione.

\* Con alcuni giochi su PC (per evitare conflitti tra il volante e il cambio), potrebbe essere necessario:

- non assegnare alcun comando alle leve del cambio montate sul volante.
- attivare la funzione "Tieni premuto per cambiare".

## MAPPATURA SU PC



## PACCHETTO SOFTWARE

Un "pacchetto software" è disponibile al seguente indirizzo: <https://support.thrustmaster.com>. Clicca su Volanti / TH8A Shifter, dopodiché seleziona Driver.

- Dopo aver installato il pacchetto software, potrai:
  - \* controllare la versione del firmware del tuo sistema di cambio marcia.
  - \* aggiornare il firmware (se necessario) all'ultima versione disponibile.
  - \* utilizzare il "Metodo BOOTLOADER"  
(per resettare il tuo sistema di cambio marcia, in caso di perdita del firmware).
  - \* accedere a un Pannello di Controllo dedicato (controller di gioco) su PC.
  - \* su PC, sfruttare la modalità ANALOGICA (freno a mano)

## SOFTWARE DI CALIBRAZIONE AVANZATA

La calibrazione del cambio TH8A avviene automaticamente. Per PC, un software di calibrazione avanzata è disponibile al seguente indirizzo: <https://support.thrustmaster.com> (clicca su Volanti / TH8A Shifter, dopodiché seleziona Software). Ti permetterà di regolare a tuo piacimento la corsa del cambio.

Una volta impostati i parametri, questi vengono immediatamente salvati nella memoria interna del cambio (e possono essere utilizzati su PS4™/PS5™, Xbox One/Xbox Series e PC).

## RIEPILOGO DELLE ISTRUZIONI PER IL COLLEGAMENTO DEL CAMBIO TH8A AI VARI SISTEMI

	Collegare il cambio TH8A
PS4™	A seconda del gioco o del volante(*) : - Direttamente al sistema PS4™/PS5™ (USB) - Oppure al retro del volante (DIN)
PS5™	Sempre al retro del volante (DIN)
XBOX ONE/XBOX SERIES	Sempre al retro del volante (DIN)
PC	Sempre(*) direttamente al PC (USB)

(\*) Per ulteriori informazioni sulle varie eccezioni, consulta i paragrafi **Raccomandazioni importanti** nelle relative pagine del manuale.

### ATTENZIONE

\* Non collegare mai direttamente il cambio TH8A ad una qualunque periferica che non sia un volante Thrustmaster, anche se la periferica dovesse disporre di un identico connettore DIN. Ciò potrebbe danneggiare il cambio TH8A o l'altra periferica.

### RISOLUZIONE DEI PROBLEMI

- \* Il mio cambio non funziona correttamente o non sembra essere perfettamente calibrato:
  - Spegni il tuo computer o la tua console, scollega il tuo sistema di cambio marcia, ricollegalo e riavvia quindi il tuo gioco.
  - Nel tuo gioco, in "Opzioni/Controller", seleziona o imposta la configurazione più appropriata.
  - Per ulteriori informazioni, consulta l'aiuto online o il manuale d'uso del tuo gioco.
- Aiuti e consigli su svariati argomenti (non inclusi nel presente manuale), un elenco dei giochi compatibili, ecc. sono disponibili sul sito web <https://support.thrustmaster.com>. Clicca su Volanti / TH8A Shifter.
- Su Xbox One/Xbox Series, affinché il tuo volante Thrustmaster per Xbox One/Xbox Series risulti compatibile con il cambio TH8A, ti potrebbe essere richiesto di aggiornare, via PC, il firmware del volante alla versione più recente, disponibile qui: <https://support.thrustmaster.com> (Clicca su Volanti / TH8A Shifter / Firmware).

## **Informazioni sulla garanzia al consumatore**

A livello mondiale, Guillemot Corporation S.A., avente sede legale in Place du Granier, B.P. 97143, 35571 Chantepie, Francia (d'ora in avanti "Guillemot") garantisce al consumatore che il presente prodotto Thrustmaster sarà privo di difetti relativi ai materiali e alla fabbricazione, per un periodo di garanzia corrispondente al limite temporale stabilito per la presentazione di un reclamo riguardante la conformità del prodotto in questione. Nei paesi della Comunità Europea, tale periodo equivale a due (2) anni a partire dalla consegna del prodotto Thrustmaster. In altri paesi, la durata della garanzia corrisponde al limite temporale stabilito per la presentazione di un reclamo riguardante la conformità del prodotto Thrustmaster in base alle leggi applicabili nel paese in cui il consumatore risiedeva alla data di acquisto del prodotto Thrustmaster (qualora nel paese in questione non esistesse alcuna norma a riguardo, il periodo di garanzia corrisponderà a un (1) anno a partire dalla data originale di acquisto del prodotto Thrustmaster).

Qualora, durante il periodo di garanzia, il prodotto dovesse apparire difettoso, contatti immediatamente l'Assistenza Tecnica, che le indicherà la procedura da seguire. Qualora il difetto dovesse essere confermato, il prodotto dovrà essere riportato al luogo di acquisto (o qualsiasi altro luogo indicato dall'Assistenza Tecnica).

Nel contesto della presente garanzia, il prodotto difettoso di proprietà del consumatore potrà essere sostituito o reso nuovamente funzionante, a discrezione dell'Assistenza Tecnica. Se, durante il periodo coperto dalla garanzia, il prodotto Thrustmaster fosse oggetto di tale rimessa in operatività, alla rimanente durata della garanzia dovrà essere aggiunto un periodo di almeno sette (7) giorni, durante il quale il prodotto risulta non utilizzabile (tale periodo intercorre dalla data della richiesta di intervento da parte del consumatore o dalla data in cui il prodotto in questione è reso disponibile per la rimessa in operatività, questo nel caso in cui tale data sia successiva alla data di richiesta di intervento). Qualora le leggi applicabili in materia lo consentano, la totale responsabilità di Guillemot e delle sue controllate (compresi i danni conseguenti) si limita alla rimessa in operatività o alla sostituzione del prodotto Thrustmaster. Qualora le leggi applicabili in materia lo consentano, Guillemot declina ogni garanzia sulla commerciabilità o la conformità a finalità particolari.

La presente garanzia non potrà essere applicata: (1) se il prodotto è stato modificato, aperto, alterato o ha subito danni derivanti da un uso inappropriato o non autorizzato, da negligenza, da un incidente, dalla semplice usura, o da qualsiasi altra causa non riconducibile a difetti nei materiali o nell'assemblaggio (compresi, ma non i soli, prodotti Thrustmaster combinati con elementi inadatti, tra cui, in particolare, batterie ricaricabili, caricatori o qualsiasi altro elemento non fornito da Guillemot per questo prodotto); (2) nel caso in cui il prodotto sia stato utilizzato per qualsiasi altro scopo al di fuori dell'uso domestico, comprese finalità professionali o commerciali (esempio: sale giochi, allenamenti, concorsi); (3) in caso di mancato rispetto delle istruzioni fornite dall'Assistenza Tecnica; (4) in caso di software, ovvero software soggetto a una specifica garanzia; (5) ai materiali di consumo (elementi che richiedono la loro sostituzione al termine della loro durata di esercizio come, ad esempio, batterie di tipo convenzionale o cuscinetti protettivi per auricolari o cuffie); (6) agli accessori (ad esempio, cavi, custodie, borsette, borse, cinturini); (7) se il prodotto è stato venduto ad un'asta pubblica.

La presente garanzia non è trasferibile.

I diritti legali del consumatore, stabiliti dalle leggi vigenti in materia di vendita di beni di consumo nel relativo paese, non vengono intaccati dalla presente garanzia.

## Disposizioni addizionali sulla garanzia

Per tutta la durata della garanzia, in linea di principio, Guillemot non fornirà alcuna parte di ricambio, in quanto la sola Assistenza Tecnica è la parte autorizzata ad aprire e/o rimettere in funzionamento tutti i prodotti Thrustmaster (fatta eccezione per eventuali procedure di rimessa in operatività che l'Assistenza Tecnica potrebbe richiedere al consumatore, attraverso istruzioni scritte – viste, ad esempio, la semplicità e la mancanza di riservatezza della procedura di rimessa in operatività – e fornendo al consumatore le necessarie parti di ricambio, se ve ne fosse l'esigenza).

Considerando i propri cicli di innovazione e per proteggere il proprio know-how e i propri segreti commerciali, in linea di principio, Guillemot non fornirà alcuna notifica o parte di ricambio finalizzata alla rimessa in attività di un qualunque prodotto Thrustmaster il cui periodo di garanzia risultasse scaduto.

## Responsabilità

Qualora le leggi applicabili in materia lo consentano, Guillemot Corporation S.A. (d'ora in avanti "Guillemot") e le sue controllate declinano ogni responsabilità per qualsiasi danno derivante da almeno una delle seguenti condizioni: (1) il prodotto è stato modificato, aperto o alterato; (2) mancato rispetto delle istruzioni di installazione; (3) uso inappropriato o non permesso, negligenza, incidente (come, ad esempio, un impatto); (4) semplice usura; (5) utilizzo del prodotto per qualsiasi altro scopo al di fuori dell'uso domestico, comprese finalità professionali o commerciali (esempio: sale giochi, allenamenti, concorsi). Qualora le leggi applicabili in materia lo consentano, Guillemot e le sue controllate declinano ogni responsabilità per qualsiasi danno non riconducibile a difetti nei materiali o nella fabbricazione del prodotto (compresi, ma non i soli, potenziali danni causati direttamente o indirettamente da un qualunque software, oppure dall'uso del prodotto Thrustmaster in combinazione con elementi inadatti, tra cui, in particolare, batterie ricaricabili, caricatori o qualsiasi altro elemento non fornito da Guillemot per questo prodotto).

## COPYRIGHT

© 2021 Guillemot Corporation S.A. Tutti i diritti riservati. Thrustmaster® è un marchio registrato di proprietà di Guillemot Corporation S.A. PlayStation® è un marchio registrato di proprietà di Sony Interactive Entertainment Inc. Windows® è un marchio registrato di proprietà di Microsoft Corporation, negli Stati Uniti e/o altri Paesi. Tutti gli altri marchi appartengono ai legittimi proprietari. Illustrazioni escluse. I contenuti, i design e le caratteristiche possono essere oggetto di modifiche senza preavviso e possono variare da un Paese all'altro. Fabbricato in Cina.

## RACCOMANDAZIONI SULLA TUTELA DELL'AMBIENTE



\* Nell'Unione Europea: Al termine della sua vita operativa, questo prodotto non dovrebbe essere gettato assieme ai comuni rifiuti, ma dovrebbe essere portato ad un apposito punto di raccolta destinato al riciclaggio del Materiale Elettrico ed Elettronico.

Ciò è confermato dal simbolo riportato sul prodotto, nel manuale d'uso o sulla confezione.

A seconda delle proprie caratteristiche, i materiali potrebbero essere riciclati. Tramite il riciclaggio ed altre forme di trattamento del Materiale Elettrico ed

Elettronico, è possibile fornire un importante contributo per la salvaguardia dell'ambiente.

Per conoscere i punti di raccolta più vicini a te, contatta le autorità locali competenti.

In tutti gli altri Paesi: per favore, rispetta le leggi locali sul riciclo dei materiali elettrici ed elettronici.

Informazioni da conservare. I colori e le decorazioni possono variare.

I ganci di plastica e gli adesivi dovrebbero essere rimossi dal prodotto prima che quest'ultimo venga utilizzato.

[www.thrustmaster.com](http://www.thrustmaster.com)

*\*Valido solo in UE, Regno Unito e Turchia*



**THRUSTMASTER®**

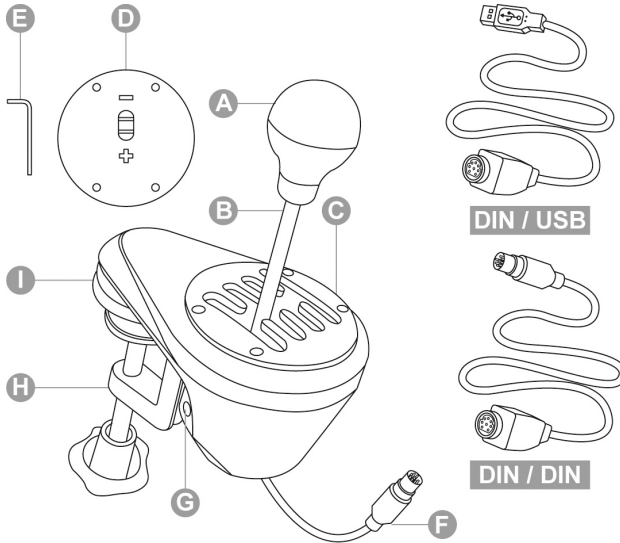
**ASSISTENZA TECNICA**

<https://support.thrustmaster.com>



## Manual del usuario

### PlayStation®4/PlayStation®5 – Xbox One/Xbox Series – PC



#### CARACTERÍSTICAS TÉCNICAS

**A** Pomo de cambio de marchas desmontable  
(no está instalado de forma predeterminada)

**B** Palanca

**C** Placa de cambio ajustable con "forma de H (7+1)"  
(instalada de forma predeterminada)

**D** Placa de cambio ajustable "Secuencial (+/-)"  
(no está instalada de forma predeterminada)

**E** Llave Allen de 2,5 mm (incluida)

**F** Cable y conector DIN

**G** Tornillo tensor interno

**H** Sistema de anclaje ajustable

**I** "Roscas de tornillo" para montaje en cabina

**DIN / USB** Cable DIN / USB desmontable

**DIN / DIN** Cable DIN / DIN desmontable



## AVISO

Antes de utilizar este producto, asegúrate de leer detenidamente este manual. Conserva este manual para consultarlo en el futuro.



### **Advertencia – Descarga eléctrica**

- \* Mantén este producto en un lugar seco y no lo expongas al polvo ni a la luz directa del sol.
- \* Respeta la dirección de inserción de los conectores.
- \* No retuerzas ni tires de los conectores ni de los cables.
- \* No derrames líquidos en el producto ni en su conector.
- \* No cortocircuites el producto.
- \* No desmontes este producto (excepto los posibles ajustes descritos en este manual), no intentes quemar el producto ni lo expongas a temperaturas elevadas.



### **Advertencia – Lesiones debidas a movimientos repetitivos**

Jugar con una palanca puede producir dolores musculares y articulares. Para evitar problemas:

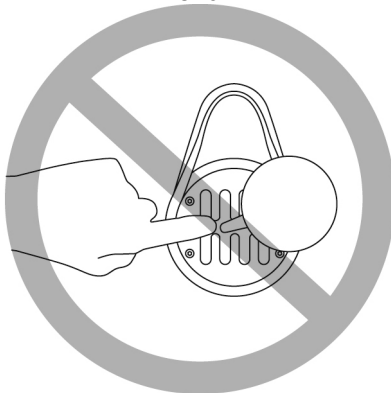
- \* Evita jugar durante períodos de tiempo prolongados.
- \* Haz descansos de 10 a 15 minutos por cada hora de juego.
- \* Si experimentas fatiga o dolor en las manos, muñecas o brazos, deja de jugar y descansa durante unas horas antes de volver a jugar.
- \* Si los síntomas o el dolor descritos anteriormente persisten cuando vuelves a jugar, deja de hacerlo y consulta al médico.
- \* Verifica que la base de la palanca de cambios está montada correctamente, según se describe en las instrucciones detalladas en este manual.



### **Advertencia – Riesgo de pillarse en las aberturas de la placa de cambio**

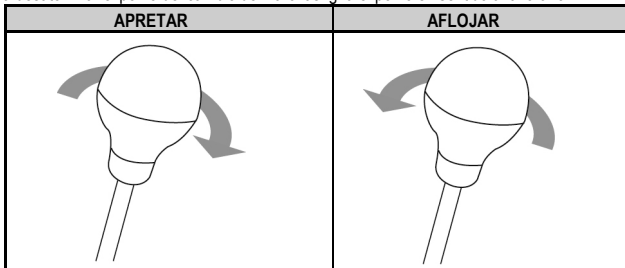
- \* Mantén el dispositivo fuera del alcance de los niños.
- \* Cuando estés jugando, no coloques nunca los dedos (ni cualquier otra parte de tu cuerpo) en las aberturas de las placas de cambio.

**NUNCA**



## INSTALACIÓN DEL POMO DEL CAMBIO DE MARCHAS

1. Para atornillar el pomo del cambio de marchas (**A**) en su palanca (**B**): gira el pomo del cambio de marchas en sentido horario.
2. Para desatornillar el pomo del cambio de marchas: gira el pomo en sentido antihorario.



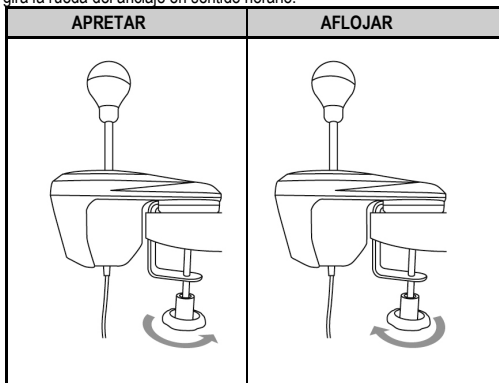
## MONTAJE DE LA PALANCA DE CAMBIO DE MARCHAS

El montaje está optimizado para cualquier tipo de soporte:

- **Mesas, escritorios o estantes** de 1 a 55 mm de grosor, mediante el sistema de anclaje (**H**).
- **Cabinas**, mediante las "roscas de tornillo" integradas (el sistema de anclaje es desmontable).

### Montaje de la palanca de cambio de marchas en una mesa o escritorio

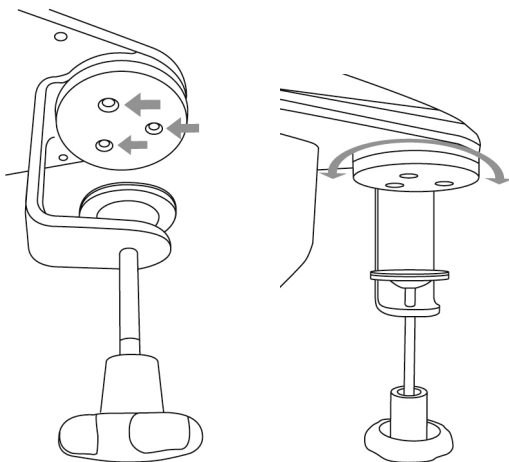
1. Coloca el morro del cambio de marchas en una mesa u otra superficie plana.
2. Para apretar: gira la rueda del anclaje en sentido antihorario.
3. Para aflojar: gira la rueda del anclaje en sentido horario.



## Colocación y rotación del sistema de anclaje (se puede ajustar en 360°)

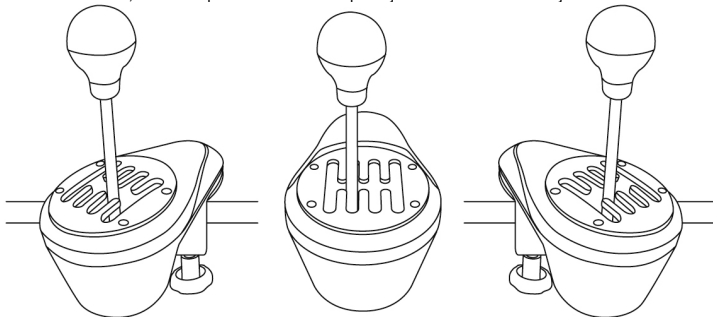
1. Mediante la llave Allen de 2,5 mm incluida (**E**), **desatornilla muy ligeramente** los 3 tornillos que sujetan el sistema de anclaje (**H**) en su sitio.

El sistema de anclaje (y por consiguiente todo el cambio de marchas) ahora se puede rotar manualmente 360°.



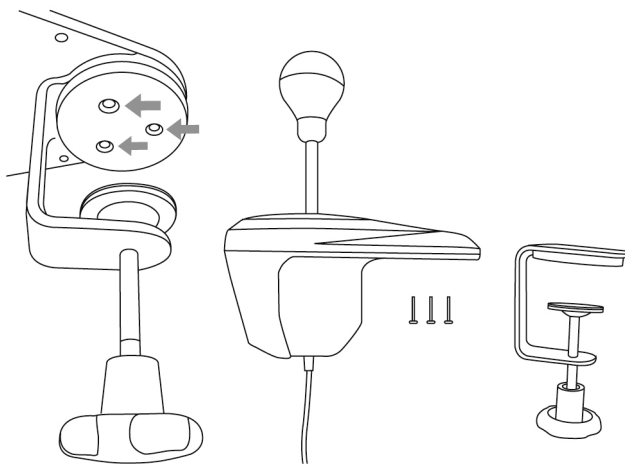
2. Selecciona la posición que prefieras a lo largo de los 360° de rotación (a continuación se muestran 3 ejemplos, entre las otras muchas posibilidades disponibles).

A continuación, vuelve a apretar los 3 tornillos que sujetan el sistema de anclaje en su sitio.

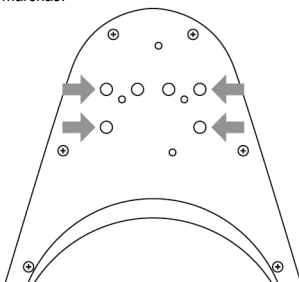


## Montaje de la palanca de cambio de marchas en una cabina

1. Mediante la llave Allen de 2,5 mm incluida (**E**), **desatornilla totalmente y quita** los 3 tornillos que sujetan el sistema de anclaje (**H**) en su sitio. Quita el sistema de anclaje de la palanca de cambio de marchas.



2. Una vez retirado el sistema de anclaje, atornilla 2 tornillos "M6" (no incluidos) en el estante de la cabina, y en 2 de las 4 pequeñas "roscas de tornillos" (**I**) situadas en la cara inferior del morro de la palanca de cambio de marchas.

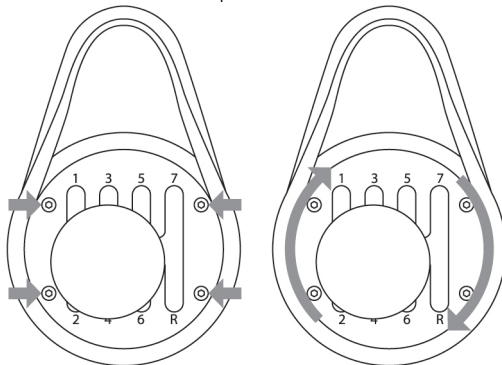


**Asegúrate de no utilizar tornillos "M6" que sean demasiado largos, ya que podrías perforar y dañar la parte superior del morro de la palanca de cambio.**

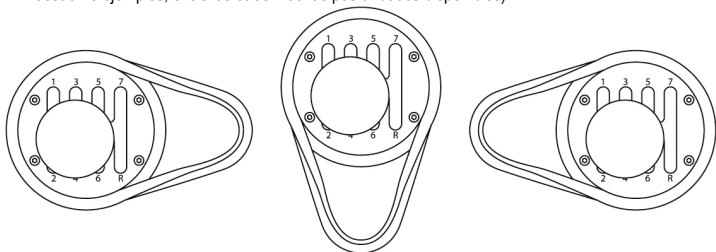
Hay una plantilla de montaje del cambio de marchas disponible en <https://support.thrustmaster.com> (haz clic en Volantes de carreras / TH8A Shifter, después selecciona Manual).

## COLOCACIÓN Y ROTACIÓN DE LAS PLACAS DE CAMBIO (SE PUEDEN AJUSTAR EN 360°)

1. Mediante la llave Allen de 2,5 mm incluida (**E**), desatornilla **muy ligeramente** los 4 tornillos que sujetan la placa de cambio (**C o D**) en su sitio.  
Ahora puedes rotar manualmente 360° la placa de cambio.



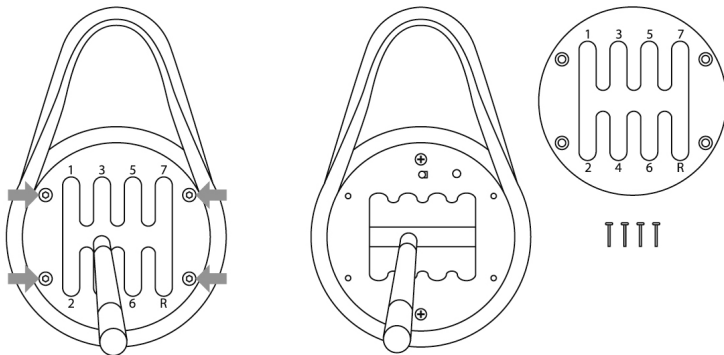
2. Selecciona la posición que prefieras a lo largo de los 360° de rotación (a continuación se muestran 3 ejemplos, entre las otras muchas posibilidades disponibles).



3. Vuelve a apretar los 4 tornillos que sujetan la placa de cambio en su sitio.

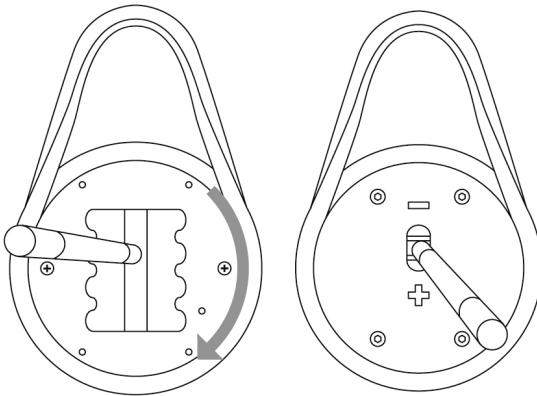
## CAMBIO DE LA PLACA DE CAMBIO CON “FORMA DE H (7+1)” A LA PLACA DE CAMBIO “SECUENCIAL (+/-)”

1. Desatornilla (en sentido antihorario) y quita el pomo del cambio de marchas (**A**).
2. Mediante la llave Allen de 2,5 mm incluida (**E**), **desatornilla totalmente y quita** los 4 tornillos que sujetan la placa de cambio con “forma de H (7+1)” en su sitio. Quita la placa de cambio.

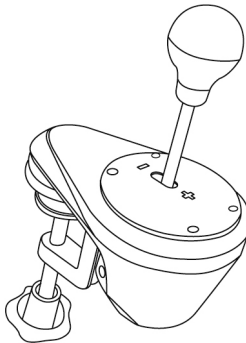


***Durante este procedimiento, ten cuidado de no perder por accidente ningún tornillo dentro del mecanismo interno.***

3. Rota manualmente la estructura interna 90° hacia la derecha (sentido horario).  
A continuación, instala la placa de cambio “Secuencial (+/-)”.

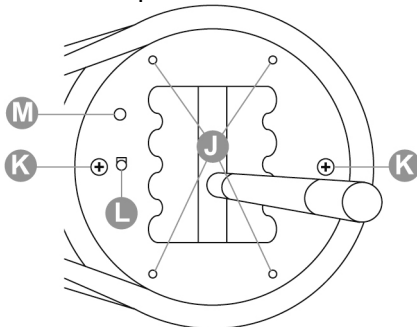


4. Mediante la llave Allen de 2,5 mm incluida **(E)**, vuelve a colocar y aprieta completamente los 4 tornillos que sujetan la placa de cambio "Secuencial (+/-)" en su sitio. Atornilla el pomo del cambio de marchas (sentido horario).



**Haz este procedimiento a la inversa para sustituir la placa de cambio con "forma de H (7+1)".**

## Notas relativas a la cubierta superior de la estructura interna:



**J:** 4 "roscas de tornillo" para sujetar las placas de cambio (**C o D**).

**K:** 2 tornillos que sostienen en su sitio la estructura interna (no desatornillar).

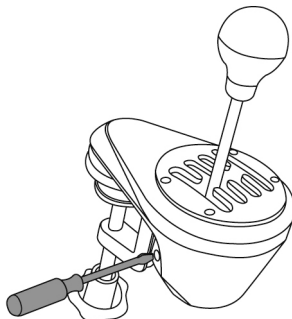
**L:** Botón que detecta automáticamente el tipo de placa de cambio utilizada (**C o D**). Se pulsa **automáticamente** cuando se instala la placa de cambio "Secuencial (+/-)". Mantén limpia esta zona para evitar problemas de detección.

**M:** Ranura para colocar más fácilmente las placas de cambio.

## AJUSTE DE LA RESISTENCIA DEL CAMBIO DE MARCHAS

\* Sólo se aplica a la placa de cambio con "forma de H (7+1)".

\* Antes de hacer ajustes, la placa de cambio con "forma de H (7+1)" **debe** estar instalada en su posición original (consulta el diagrama que hay a continuación).



1. Mediante un destornillador largo de cabeza plana, coloca el destornillador en la cabeza del tornillo tensor interno (**G**) situado en la sección inferior izquierda de la carcasa de la palanca de cambio de marchas.



2. Para aumentar ligeramente la resistencia: gira el tornillo en sentido horario.
3. Para reducir ligeramente la resistencia: gira el tornillo en sentido antihorario.



**2 giros completos bastan para pasar de un extremo al otro.**



**Para evitar dañar el sistema:**

- Deja de apretar el tornillo cuando sientas una resistencia fuerte.
- Deja de aflojar el tornillo si la palanca pasa a estar suelta y se tambalea.

# INSTRUCCIONES DE CONFIGURACIÓN PARA CONSOLAS

## PLAYSTATION®4/PLAYSTATION®5

Según el juego de PS4™/PS5™ o el volante de carreras que estás usando:

**PS4™ = Conecta(\*) el cambio de marchas TH8A directamente a un puerto USB de la PS4™**

- Conecta el conector **DIN** del cambio de marchas TH8A al cable **DIN / USB**.
- Conecta el cambio de marchas TH8A a uno de los puertos USB de la PS4™.
- Inicia el juego.

**El cambio de marchas TH8A puede funcionar con las placas de cambio CON FORMA DE H (7+1) o SECUENCIAL (+/-).**

o

**PS4™/PS5™ = Conecta(\*) el cambio de marchas TH8A directamente a la base del volante de carreras de Thrustmaster**

(sólo se aplica si el volante de carreras de Thrustmaster incorpora un conector de cambio de marchas integrado)

- Conecta el conector **DIN** del cambio de marchas TH8A al cable **DIN / DIN desmontable**.
- Conecta el cambio de marchas TH8A al conector del cambio de marchas situado en la parte trasera de la base del volante de carreras.
- Conecta el volante de carreras y, a continuación, inicia el juego.

**El cambio de marchas TH8A puede funcionar con las placas de cambio CON FORMA DE H (7+1) o SECUENCIAL (+/-).**

**(\*) Recomendaciones importantes para el sistema PS4™/PS5™** (sólo se aplican si estás usando un volante de carreras de Thrustmaster con un conector de cambio de marchas incorporado)

- **PS4™/PS5™: Al usar la placa de cambio SECUENCIAL (+/-) del cambio de marchas TH8A, también puedes conectar el cambio a la parte trasera del volante de carreras usando el cable DIN / DIN desmontable.** A continuación, el cambio de marchas TH8A se conecta a las levas de cambio de marchas ARRIBA (= R1) y ABAJO (= L1) del volante de carreras.

Con este volante de carreras, la placa de cambio SECUENCIAL (+ /-) del cambio de marchas TH8A funciona con el 100% de los juegos de carreras de PS4™/PS5™ que son compatibles con el volante.

- **PS4™:** Algunos juegos te permiten **usar dos cambios de marchas TH8A simultáneamente:**

Un cambio de marchas TH8A con una placa de cambio CON FORMA DE H (7+1), conectado al puerto USB de la PS4™

+ Un cambio de marchas TH8A con una placa de cambio SECUENCIAL (+/-), conectado a la parte trasera del volante de carreras

\* Dispones de una lista de juegos de PS4™/PS5™ que son compatibles con el cambio de marchas TH8A y las instrucciones de conexión correspondientes(\*) (que pueden variar en función de los juegos) en esta dirección:

<https://support.thrustmaster.com> (haz clic en Volantes de carreras / TH8A Shifter, después selecciona Configuración de juegos). Esta lista se actualiza regularmente.

\* En PS4™, te recomendamos que no uses un concentrador USB al conectar el volante de carreras o cambio de marchas TH8A; conecta el dispositivo directamente a los puertos USB de la PS4™.

\* Algunos juegos requieren que instales las últimas actualizaciones disponibles para que el cambio de marchas TH8A funcione correctamente (la consola debe estar conectada a Internet).

## XBOX ONE/XBOX SERIES

**= Para todos los juegos de Xbox One/Xbox Series, conecta siempre el cambio de marchas TH8A directamente a la base del volante de carreras de Thrustmaster (NUNCA al puerto USB de la consola).**

- Conecta el conector **DIN** del cambio de marchas TH8A al **cable DIN / DIN desmontable**.
- Conecta el cambio de marchas TH8A al conector del cambio de marchas situado en la parte trasera de la base del volante de carreras.
- Conecta el volante de carreras y, a continuación, inicia el juego.

**El cambio de marchas TH8A puede funcionar con las placas de cambio CON FORMA DE H (7+1) o SECUENCIAL (+/-).**

### **Nota importante sobre la Xbox One/Xbox Series:**

Al usar la placa de cambio SECUENCIAL (+/-) del cambio de marchas TH8A, el cambio se conecta a las levas de cambio ARRIBA (= RB) y ABAJO (= LB) del volante de carreras.

**Al usar la placa de cambio SECUENCIAL (+/-) del cambio de marchas TH8A, el cambio TH8A funciona con el 100% de los juegos de carreras para Xbox One/Xbox Series que son compatibles con el volante de carreras de Thrustmaster para Xbox One/Xbox Series.**

\* Dispones de una lista de juegos de Xbox One/Xbox Series que son compatibles con el cambio de marchas TH8A en esta dirección:

<https://support.thrustmaster.com> (haz clic en Volantes de carreras / TH8A Shifter, después selecciona Configuración de juegos). Esta lista se actualiza regularmente.

\* Algunos juegos requieren que instales las últimas actualizaciones disponibles para que el cambio de marchas TH8A funcione correctamente (la consola debe estar conectada a Internet).



Para garantizar la compatibilidad de tu volante de carreras de Thrustmaster para Xbox One/Xbox Series con el cambio de marchas TH8A, puede que tengas que actualizar el firmware del volante de carreras con la última versión disponible mediante PC en esta dirección: <https://support.thrustmaster.com> (haz clic en Volantes de carreras / TH8A Shifter, después selecciona Firmware).

## INSTRUCCIONES DE CONFIGURACIÓN PARA PC

= Para todos los juegos de PC(\*), conecta siempre el cambio de marchas TH8A directamente a uno de los puertos USB del PC.

- Conecta el conector DIN del cambio de marchas TH8A al cable DIN / USB.
- Conecta el cambio de marchas TH8A a uno de los puertos USB del PC.
- Cuando está conectado a un PC, el cambio de marchas TH8A es un dispositivo Plug & Play y se detecta e instala automáticamente.
- A continuación, el dispositivo aparece como "T500 RS Gear Shift" en el Panel de control de Windows®.
- Haz clic en Propiedades para probar y ver las características del dispositivo.
- Inicia el juego.

¡Ya estás preparado para correr!

(\* **Recomendaciones importantes para PC** (sólo se aplican si estás usando un volante de carreras de Thrustmaster con un conector de cambio de marchas incorporado)

- Al usar la placa de cambio SECUENCIAL (+/-) del cambio de marchas TH8A, también puedes conectar el cambio a la parte trasera del volante de carreras usando el cable DIN / DIN desmontable. A continuación, el cambio de marchas TH8A se conecta a las levas de cambio de marchas ARRIBA (= 2) y ABAJO (= 1) del volante de carreras.

Con este volante de carreras, la placa de cambio SECUENCIAL (+ /-) del cambio de marchas TH8A funciona con el 100% de los juegos de carreras de PC que son compatibles con el volante.

- Algunos juegos te permiten **usar dos cambios de marchas TH8A simultáneamente**:  
Un cambio de marchas TH8A con una placa de cambio CON FORMA DE H (7+1), conectado al puerto USB del PC  
+ Un cambio de marchas TH8A con una placa de cambio SECUENCIAL (+/-), conectado a la parte trasera del volante de carreras

\* En PC, la palanca de cambio de marchas de Thrustmaster es compatible con:

- todos los juegos que admiten MULTI-USB y palancas de cambio de marchas.
- todos los volantes del mercado.

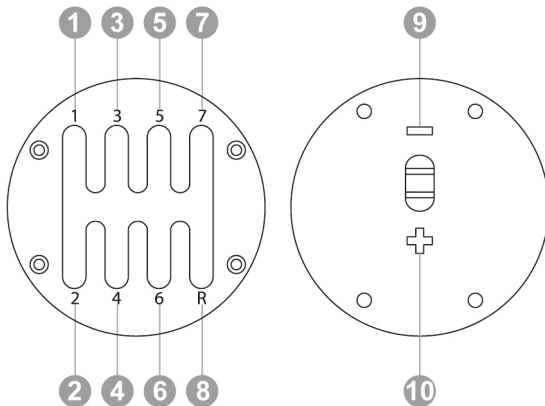
\* Te recomendamos que conectes el volante de carreras y el cambio de marchas TH8A directamente a los puertos USB 2.0 (no USB 3.0) del PC, sin usar un concentrador.

\* En algunos juegos de PC, **debes** instalar las últimas actualizaciones disponibles para que la palanca de cambio de marchas de Thrustmaster funcione correctamente.

\* En algunos juegos de PC (para evitar conflictos entre el volante y la palanca de cambio de marchas), puede ser necesario:

- no mapear nada en las levas de cambio de marchas del volante.
- habilitar la función "Mantener pulsado el botón para cambiar".

## ASIGNACIÓN EN PC



## PAQUETE DE SOFTWARE

Hay un "paquete de software" disponible aquí: <https://support.thrustmaster.com> (haz clic en Volantes de carreras / TH8A Shifter, después selecciona Controladore).

- Después de instalar el paquete de software, podrás:

- \* comprobar la versión del firmware de tu palanca de cambio de marchas.
- \* actualizar el firmware (si es necesario) con la última versión disponible.
- \* utilizar el "Método BOOTLOADER"  
(para restaurar la palanca de cambio de marchas, en caso de pérdida del firmware).
- \* acceder a un Panel de control personalizado (dispositivos de juego) en PC.
- \* en PC, disfrutar del modo ANALÓGICO (freno de mano)

## SOFTWARE DE CALIBRACIÓN AVANZADO

La calibración del cambio de marchas TH8A se realiza automáticamente.

En la siguiente dirección también dispones de una aplicación de software de calibración avanzada para PC: <https://support.thrustmaster.com> (haz clic en Volantes de carreras / TH8A Shifter / Software). Te permite ajustar el recorrido del cambio de marchas según tus preferencias.

Cuando la configuración se ha realizado, se guarda de forma instantánea en la memoria interna del cambio de marchas (y se puede usar en PS4™/PS5™, Xbox One/Xbox Series y PC).

## RESUMEN DE INSTRUCCIONES PARA CONECTAR EL CAMBIO DE MARCHAS TH8A A LOS DISTINTOS SISTEMAS

	Conectar el cambio de marchas TH8A
PS4™	<u>Según el juego o volante de carreras (*):</u> - Directamente al sistema PS4™/PS5™ (USB) - O a la parte trasera del volante de carreras (DIN)
PS5™	Siempre a la parte trasera del volante de carreras (DIN)
XBOX ONE/XBOX SERIES	Siempre a la parte trasera del volante de carreras (DIN)
PC	Siempre(*) directamente al PC (USB)

(\*) Para obtener más información relacionada con las excepciones, consulta las secciones de **Recomendaciones importantes** en las páginas correspondientes del manual.

### AVISO

\* No conectes nunca el cambio de marchas TH8A directamente a otro dispositivo que no sea un volante de carreras de Thrustmaster, aunque el dispositivo cuente con un conector DIN idéntico. Podrías provocar daños al cambio de marchas TH8A o al otro dispositivo.

### RESOLUCIÓN DE PROBLEMAS

- \* Mi palanca de cambio de marchas no funciona correctamente o parece estar mal calibrada:
  - Apaga el ordenador o la consola, desconecta la palanca, vuelve a conectarla y luego vuelve a iniciar el juego.
  - En tu juego, en "Opciones/Controlador", selecciona o configura la configuración más apropiada.
  - Consulta el manual del usuario o la ayuda en línea del juego para obtener más información.
- Hay varios consejos y características de ayuda (no incluidos en este manual), una lista de juegos compatibles, etc. disponibles en el sitio web <https://support.thrustmaster.com>. Haz clic en Volantes de carreras / TH8A Shifter.
- En Xbox One/Xbox Series, para garantizar la compatibilidad de tu volante de carreras de Thrustmaster para Xbox One/Xbox Series con el cambio de marchas TH8A, puede que tengas que actualizar el firmware del volante de carreras con la última versión disponible mediante PC en esta dirección: <https://support.thrustmaster.com> (haz clic en Volantes de carreras / TH8A Shifter / Firmware).

## **INFORMACIÓN DE GARANTÍA AL CONSUMIDOR**

En todo el mundo, Guillemot Corporation S.A., cuyo domicilio legal se encuentra en Place du Granier, B.P. 97143, 35571 Chantepie, Francia (en lo sucesivo "Guillemot") garantiza al consumidor que este producto de Thrustmaster estará libre de defectos de materiales y mano de obra, durante un período de garantía que corresponde al límite de tiempo para interponer una acción legal referida a la conformidad en relación con este producto. En los países de la Unión Europea, esto corresponde a un período de dos (2) años a partir de la entrega del producto de Thrustmaster. En otros países, el período de garantía corresponde al límite de tiempo para interponer una acción legal referida a la conformidad en relación con este producto de Thrustmaster según las leyes aplicables del país en el que el consumidor estuviese domiciliado en la fecha de compra del producto de Thrustmaster (si no existiese una acción similar en el país correspondiente, entonces el período de garantía será de un (1) año a partir de la fecha de compra original del producto de Thrustmaster).

Si el producto resultase defectuoso durante el período de garantía, hay que ponerse en contacto inmediatamente con el Soporte Técnico, que indicará el procedimiento a seguir. Si se confirma el defecto, el producto debe devolverse a su lugar de compra (o a cualquier otra ubicación indicada por el Soporte Técnico).

Dentro del contexto de esta garantía, el producto defectuoso del consumidor será sustituido o restaurado su funcionamiento correcto. Si, durante el período de garantía, el producto de Thrustmaster fuese sometido a dicho reacondicionamiento, cualquier período de cómo mínimo siete (7) días durante el que el producto no se pueda usar se añadirá al período de garantía restante (este período va desde la fecha de petición de intervención del consumidor o desde la fecha en la que el producto se entrega para el reacondicionamiento, si la fecha en la que el producto se entrega para el reacondicionamiento fuese posterior a la fecha de la petición de intervención). Si la ley aplicable lo permite, toda la responsabilidad de Guillemot y sus filiales (incluso por daños resultantes) se limita a la restauración del funcionamiento correcto o la sustitución del producto de Thrustmaster. Si la ley aplicable lo permite, Guillemot renuncia a todas las garantías de comerciabilidad o adecuación para un propósito determinado.

Esta garantía no se aplicará: (1) si el producto ha sido modificado, abierto, alterado o ha sufrido daños como resultado de un uso inapropiado o abuso, negligencia, accidente, desgaste normal, o cualquier otra causa no relacionada con un defecto de materiales o fabricación (incluyendo, pero no de forma exclusiva, la combinación del producto de Thrustmaster con cualquier elemento no adecuado, incluyendo en particular fuentes de alimentación, baterías recargables, cargadores o cualquier otro elemento no suministrado por Guillemot para este producto); (2) si el producto se ha empleado para otro uso distinto del doméstico, incluyendo fines profesionales o comerciales (salones de juego, entrenamiento, competiciones, por ejemplo); (3) en caso de incumplimiento de las instrucciones proporcionadas por el Soporte Técnico; (4) a software, es decir software sujeto a una garantía específica; (5) a consumibles (elementos que se tienen que reemplazar a lo largo de la vida del producto: por ejemplo, baterías desechables o almohadillas para auriculares de audio); (6) a accesorios (por ejemplo, cables, cajas, bolsas, bolsos o muñequeras); (7) si el producto se ha vendido en una subasta pública.

Esta garantía no es transferible.

Los derechos legales del consumidor en relación con las leyes aplicables a la venta de productos de consumo de su país no se ven afectados por esta garantía.

## Provisiones de garantía adicionales

Durante el período de garantía, Guillemot no proporcionará, en principio, ninguna pieza de repuesto, ya que el Soporte Técnico es el único autorizado para abrir y/o reacondicionar los productos de Thrustmaster (con la excepción de los procedimientos de reacondicionamiento que el Soporte técnico puede solicitar que lleve a cabo el consumidor, mediante instrucciones por escrito – por ejemplo, debido a la simplicidad y la falta de confidencialidad del proceso de reacondicionamiento – y suministrando al consumidor las piezas de repuesto necesarias, si hiciese falta).

Debido a sus ciclos de innovación y para proteger su know-how y secretos comerciales, Guillemot no proporcionará, en principio, ninguna pieza de repuesto ni instrucciones de reacondicionamiento para los productos de Thrustmaster cuyo período de garantía haya vencido.

En los Estados Unidos de América y en Canadá, esta garantía está limitada al mecanismo interno del producto y al alojamiento externo. En ningún caso, Guillemot ni sus filiales serán responsables ante terceros por daños resultantes o fortuitos resultado del incumplimiento de cualquier garantía expresa o implícita. En algunos estados o provincias no se permite la limitación de la duración de una garantía implícita ni la exclusión o limitación de responsabilidad por daños resultantes o fortuitos, por lo que las limitaciones o exclusiones anteriores pueden no ser aplicables. Esta garantía ofrece derechos legales específicos al consumidor, que también puede tener otros derechos que pueden variar de un estado a otro o de una provincia a otra.

## Responsabilidad

Si la ley aplicable lo permite, Guillemot Corporation S.A. (en lo sucesivo "Guillemot") y sus filiales renuncian a toda responsabilidad por los daños causados por uno o más de los siguientes motivos: (1) el producto ha sido modificado, abierto o alterado; (2) incumplimiento de las instrucciones de montaje; (3) uso inapropiado o abuso, negligencia, accidente (un impacto, por ejemplo); (4) desgaste normal; (5) el producto se ha empleado para otro uso distinto del doméstico, incluyendo fines profesionales o comerciales (salones de juego, entrenamiento, competiciones, por ejemplo). Si la ley aplicable lo permite, Guillemot y sus filiales renuncian a toda responsabilidad por los daños no relacionados con defectos de materiales o fabricación en relación con el producto (incluyendo, pero no de forma exclusiva, los daños causados de forma directa o indirecta por cualquier software, o por combinar el producto de Thrustmaster con cualquier elemento no adecuado, incluyendo en particular fuentes de alimentación, baterías recargables, cargadores o cualquier otro elemento no suministrado por Guillemot para este producto).

EN

FR

DE

NL

IT

ES

PT

RU

CS

TR

PL

日本語

繁體中文

한국어

العربية



## COPYRIGHT

© 2021 Guillemot Corporation S.A. Todos los derechos reservados. Thrustmaster® es una marca registrada de Guillemot Corporation S.A. PlayStation® es una marca comercial registrada de Sony Interactive Entertainment Inc. Windows® es una marca registrada de Microsoft Corporation en Estados Unidos y/o en otros países. Todas las demás marcas son propiedad de sus respectivos dueños. Ilustraciones no definitivas. El contenido, la concepción y las especificaciones son susceptibles de cambiar sin previo aviso y varían según el país. Fabricado en China.

## RECOMENDACIÓN DE PROTECCIÓN AMBIENTAL



\* En la Unión Europea: Al terminar su vida útil, este producto no debe tirarse en un contenedor de basuras estándar, sino que debe dejarse en un punto de recogida de desechos eléctricos y equipamiento electrónico para ser reciclado.

Esto viene confirmado por el símbolo que se encuentra en el producto, manual del usuario o embalaje.

Dependiendo de sus características, los materiales pueden reciclarse. Mediante el reciclaje y otras formas de procesamiento de los desechos eléctricos y el equipamiento electrónico puedes contribuir de forma significativa a ayudar a proteger el medio ambiente.

Contacta con las autoridades locales para más información sobre el punto de recogida más cercano. Para los demás países: cumple las leyes locales sobre reciclaje de equipos eléctricos y electrónicos.

Esta información debe conservarse. Los colores y motivos decorativos pueden variar. Los adhesivos y los cierres de plástico se deben quitar del producto antes de utilizarlo.

[www.thrustmaster.com](http://www.thrustmaster.com)

*\*Aplicable únicamente a la UE, Reino Unido y Turquía*



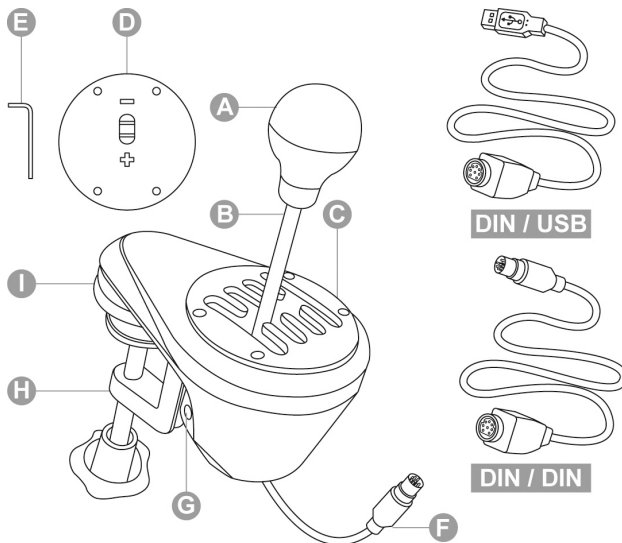
**THRUSTMASTER®**

**SOPORTE TÉCNICO**

<https://support.thrustmaster.com>



## PlayStation®4/PlayStation®5 – Xbox One/Xbox Series – PC Manual do Utilizador



### CARACTERÍSTICAS TÉCNICAS

- A** Manípulo de alavanca de velocidades amovível  
(*não instalada por predefinição*)
- B** Alavanca
- C** Chapa da alavanca de velocidades ajustável "H  
(7+1) (*instalada por predefinição*)
- D** Chapa da alavanca de velocidades ajustável  
"Sequencial (+/-) (*não instalada por  
predefinição*)
- E** Chave sextavada de 2,5 mm (incluída)

- F** Cabo e conector DIN
- G** Parafuso tensor interno
- H** Sistema de fixação ajustável
- I** "Roscas de parafusos" para montagem em cockpit

**DIN/USB** Cabo DIN/USB amovível  
**DIN/DIN** Cabo DIN/DIN amovível

## AVISO

Antes de utilizar este produto, leia atentamente o manual. Conserve o manual para consulta futura.



### **Aviso – Choque elétrico**

Guarde este produto num local seco e não o exponha ao pó nem à luz do sol.

- \* Respeite a direção de inserção dos conectores.
- \* Não torça nem puxe os conectores e os cabos.
- \* Não derrame quaisquer líquidos sobre o produto ou os respetivos conectores.
- \* Não provoque um curto-circuito no produto.
- \* Não desmonte este produto (à exceção dos possíveis ajustes descritos neste manual), não tente queimar o produto e não exponha o produto a temperaturas elevadas.



### **Aviso – Lesões devido a movimentos repetitivos**

Jogar com uma alavanca de velocidades pode causar dores musculares e nas articulações. Para evitar quaisquer problemas:

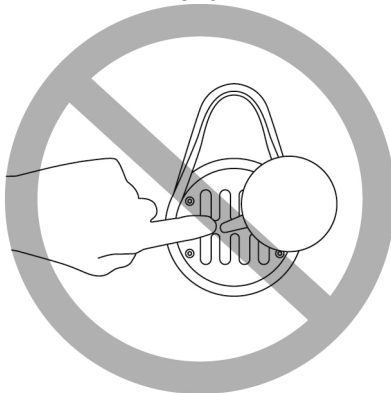
- \* Evite jogar durante longos períodos de tempo.
- \* Faça um intervalo de 10 a 15 minutos após cada hora de jogo.
- \* Se sentir cansaço ou dores nas mãos, pulsos ou braços, pare de jogar e descanse durante algumas horas antes de recomeçar a jogar.
- \* Se os sintomas ou as dores acima indicados persistirem quando recomeçar a jogar, pare de jogar e consulte o seu médico.
- \* Verifique se a base da alavanca de velocidades está corretamente montada, conforme descrito nas instruções fornecidas neste manual.



### **Aviso – Risco de entalçamento nas aberturas da chapa da alavanca de velocidades**

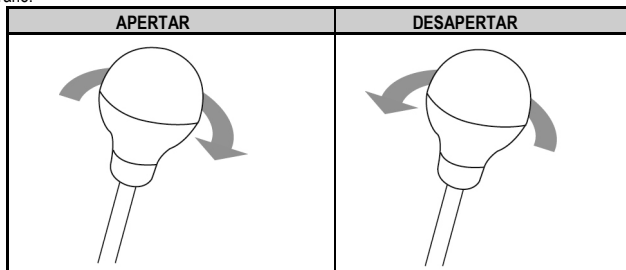
- \* Guarde fora do alcance das crianças.
- \* Quando jogar, nunca coloque os dedos (ou qualquer outra parte do corpo) nas aberturas da chapa da alavanca de velocidades.

**NUNCA**



## INSTALAR O MANÍPULO DA ALAVANCA DE VELOCIDADES

1. Para enroscar o manípulo da alavanca de velocidades (**A**) na respetiva alavanca (**B**): rode o manípulo da alavanca de velocidades no sentido horário.
2. Para desenroscar o manípulo da alavanca de velocidades: rode o manípulo no sentido anti-horário.



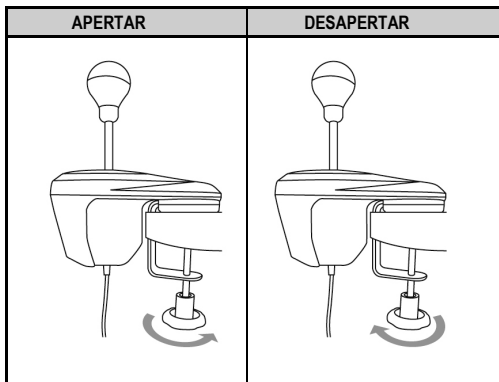
## MONTAR A ALAVANCA DE VELOCIDADES

A montagem está otimizada para qualquer tipo de suporte:

- **Mesas, secretárias** ou **prateleiras** de 1 a 55 mm de espessura, através do sistema de fixação (**H**).
- **Cockpits**, através das “roscas de parafusos” integradas (o sistema de fixação é amovível).

### Montar a alavanca de velocidades numa mesa ou secretária

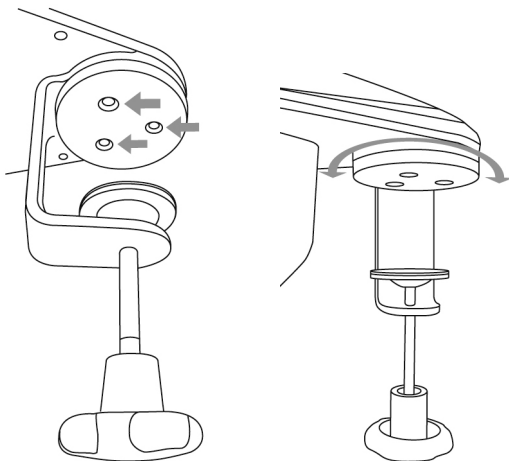
1. Coloque o nariz da alavanca de velocidades numa mesa ou noutra superfície plana.
2. Para apertar: rode o manípulo de fixação no sentido anti-horário.
3. Para desapertar: rode o manípulo de fixação no sentido horário.



## Posicionar e rodar o sistema de fixação (pode ser ajustado sobre 360°)

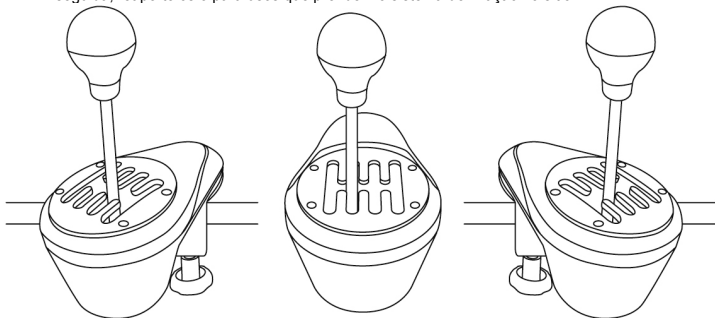
1. Com a chave sextavada de 2,5 mm incluída (**E**), **desaperte muito ligeiramente** os 3 parafusos que prendem o sistema de fixação (**H**).

O sistema de fixação (e por conseguinte toda a alavanca de velocidades) pode ser rodado agora manualmente sobre 360°.



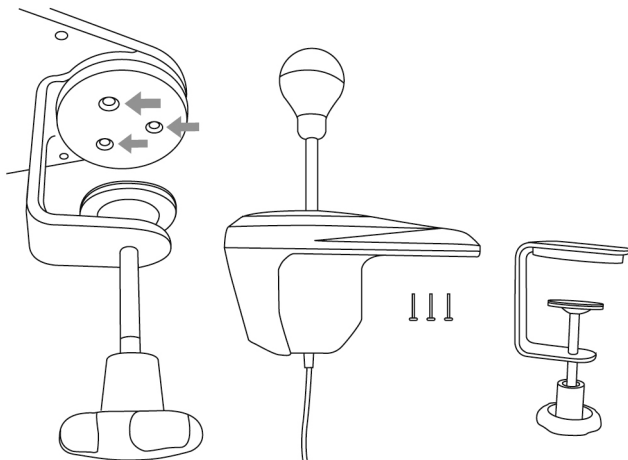
2. Selecione a sua posição preferida ao longo da rotação de 360° (são mostrados abaixo 3 exemplos, entre as inúmeras possibilidades disponíveis).

Em seguida, reaperte os 3 parafusos que prendem o sistema de fixação no sítio.

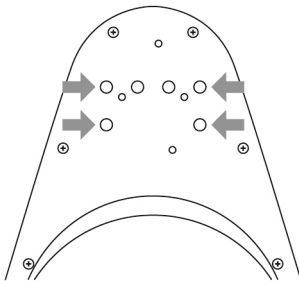


## Montar a alavanca de velocidades num cockpit

1. Com a chave sextavada de 2,5 mm incluída (**E**), **desaperte muito ligeiramente** os 3 parafusos que prendem o sistema de fixação (**H**). Separe o sistema de fixação da alavanca de velocidades.



2. Depois de remover o sistema de fixação, enrosque 2 parafusos "M6" (não incluídos) na prateleira do cockpit e em 2 das 4 pequenas "roscas de parafusos" (**I**) situadas na parte inferior do nariz da alavanca de velocidades.



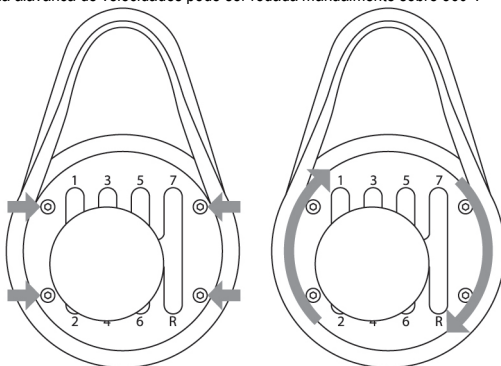
**Tenha cuidado para não utilizar parafusos "M6" demasiado compridos, os quais poderão perfurar e danificar a parte superior do nariz da alavanca de velocidades.**

Há um modelo de montagem de alavanca de velocidades para cockpits está em <https://support.thrustmaster.com> (clique em Racing Wheels / TH8A Shifter, em seguida seleccione Manual).

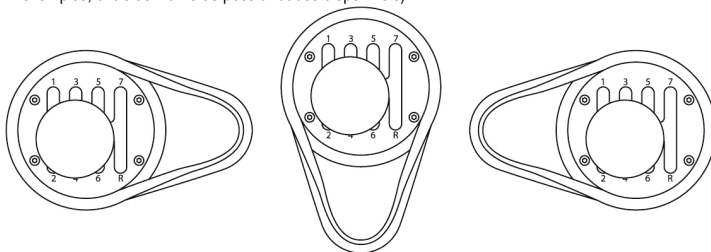
## POSICIONAR E RODAR A CHAPA DA ALAVANCA DE VELOCIDADES (PODE SER AJUSTADA SOBRE 360°)

1. Com a chave sextavada de 2,5 mm incluída (**E**), **desaperte ligeiramente** os 4 parafusos que prendem a chapa da alavanca de velocidades (**C ou D**).

A chapa da alavanca de velocidades pode ser rodada manualmente sobre 360°.



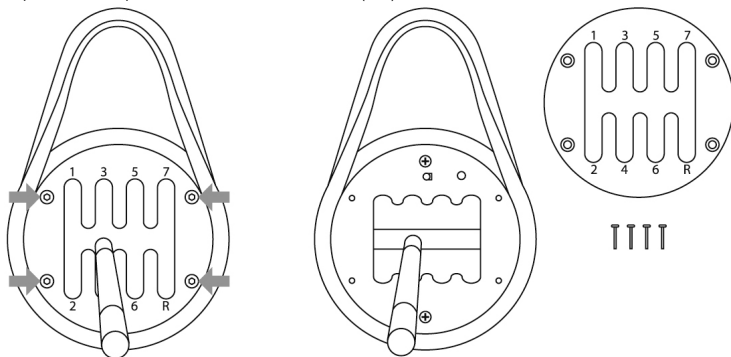
2. Selecione a sua posição preferida ao longo da rotação de 360° (são mostrados abaixo 3 exemplos, entre as inúmeras possibilidades disponíveis).



3. Reaperte os 4 parafusos que prendem a chapa da alavanca de velocidades.

## MUDAR DA CHAPA DA ALAVANCA DE VELOCIDADE “H (7+1)” PARA A CHAPA DA ALAVANCA DE VELOCIDADES “SEQUENCIAL (+/-)”

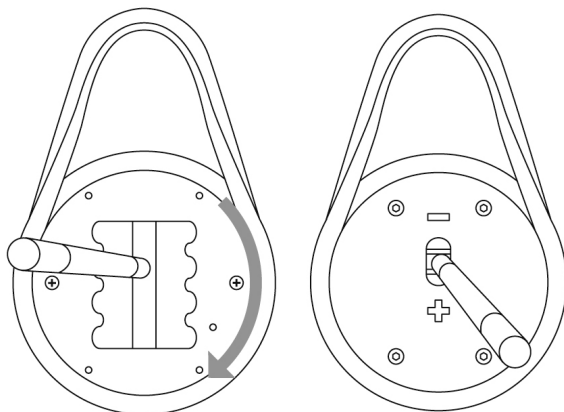
1. Desenrosque (no sentido anti-horário) e remova o manípulo da alavanca de velocidades (A).
2. Com a chave sextavada de 2,5 mm incluída (E), **desaperte e remova** os 4 parafusos que prendem a chapa da alavanca de velocidades “H (7+1)” e remova-a.



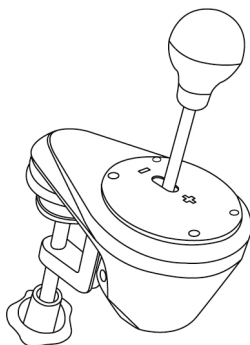
**Durante este procedimento, tenha cuidado para não deixar cair nenhum dos parafusos dentro do mecanismo interno.**

3. Rode manualmente a estrutura interna 90° para a direita (sentido horário). Em seguida, instale a chapa da alavanca de velocidades “Sequencial (+/-)”.



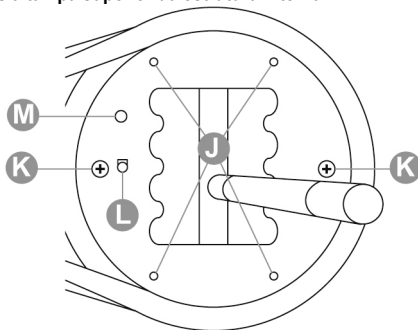


4. Com a chave sextavada de 2,5 mm incluída (E), volte a colocar e reaperte completamente os 4 parafusos que prendem a chapa da alavanca de velocidades “Sequencial (+/-)”. Enrosque novamente o manípulo da alavanca de velocidades (sentido horário).



**Efetue este procedimento no sentido inverso para recolocar a chapa da alavanca de velocidades “H (7+1)”.**

## Notas relativas à tampa superior da estrutura interna:



**J:** 4 "roscas de parafusos" para fixar as chapas da alavanca de velocidades (**C ou D**).

**K:** 2 parafusos que fixam a estrutura interna (não desapertar).

**L:** Botão que deteta automaticamente o tipo de chapa de alavanca de velocidades utilizada (**C ou D**). É premido **automaticamente** quando está instalada a chapa da alavanca de velocidades "Sequencial (+/-)". Mantenha esta área limpa para evitar quaisquer problemas de detecção.

**M:** Ranhura para um posicionamento mais fácil das chapas da alavanca de velocidades.

EN

FR

DE

NL

IT

ES

PT

RU

CS

TR

PL

日本語

繁體中文

한국어

العربية

## AJUSTAR A RESISTÊNCIA DA ALAVANCA DE VELOCIDADES

- \* Aplica-se unicamente à chapa da alavanca de velocidades “H (7+1)”.
- \* Antes de efetuar quaisquer ajustes, a chapa da alavanca de velocidades “H (7+1)” **tem** de ser instalada na respetiva posição original (consulte o esquema abaixo).



1. Com uma chave de fendas grande de cabeça chata, coloque a chave de fendas na cabeça do parafuso tensor interno (G), situado na secção inferior esquerda da caixa da alavanca de velocidades.
2. Para aumentar ligeiramente a resistência: rode o parafuso no sentido horário.
3. Para diminuir ligeiramente a resistência: rode o parafuso no sentido anti-horário.



**2 voltas completas são suficientes para ir de um extremo ao outro.**



### Para evitar danificar o sistema:

- Pare de apertar o parafuso quando sentir uma resistência forte.
- Pare de desapertar o parafuso se a alavanca ficar solta e instável.

# INSTRUÇÕES DE CONFIGURAÇÃO PARA JOGOS DE CONSOLAS

## PLAYSTATION®4/PLAYSTATION®5

Consoante o jogo para a PS4™/PS5™ ou o volante que está a utilizar:

**PS4™ = Ligue(\*) a alavanca de velocidades TH8A diretamente à porta USB da PS4™**

- Ligue o conector **DIN** da alavanca de velocidades TH8A ao cabo **DIN/USB**.

- Ligue a alavanca de velocidades TH8A a uma das portas USB da PS4™.

- Inicie o jogo.

**A alavanca de velocidades pode então funcionar com as chapas de mudança de velocidades H (7+1) ou SEQUENCIAL (+/-).**

**Ou**

**PS4™/PS5™ = Ligue(\*) a alavanca de velocidades diretamente à base do volante Thrustmaster**

(apenas aplicável se o volante Thrustmaster possui um conector para alavanca de velocidades integrado)

- Ligue o conector **DIN** da alavanca de velocidades TH8A ao **cabo DIN/DIN amovível**.

- Ligue a alavanca de velocidades TH8A ao conector da alavanca de velocidades situado na parte posterior da base do volante.

- Ligue o volante e inicie o jogo.

**A alavanca de velocidades pode então funcionar com as chapas de mudança de velocidades H (7+1) ou SEQUENCIAL (+/-).**

**(\*) Recomendações importantes para o sistema PS4™/PS5™** (aplicáveis apenas se for utilizado um volante Thrustmaster dotado de um conector para alavanca de velocidades integrado)

- **PS4™/PS5™: Quando utilizar a chapa de mudança de velocidades SEQUENCIAL (+/-) da alavanca de velocidades TH8A, também pode ligar a alavanca de velocidades à parte posterior do volante com o cabo DIN/DIN amovível.** A alavanca de velocidades é então ligada às pás de mudança de velocidades UP (= R1) e DOWN (= L1) do volante.

Com este volante, a chapa de mudança de velocidades SEQUENCIAL (+/-) da alavanca de velocidades TH8A funciona com todos os jogos de corridas de automóveis para a PS4™/PS5™ compatíveis com o volante.

- **PS4™:** Alguns jogos permitem-lhe **utilizar duas alavancas de velocidades em simultâneo:**

Uma alavanca de velocidades TH8A com uma chapa de mudança de velocidades H (7+1), ligada à porta USB™ da PS4™

+ Uma alavanca de velocidades com uma chapa de mudança de velocidades SEQUENCIAL (+/-), ligada à parte posterior do volante

\* Uma lista de jogos para a PS4™/PS5™ compatíveis com a alavanca de velocidades TH8A e as instruções de ligação relevantes(\*) (que variam consoante os jogos) estão disponíveis aqui:

<https://support.thrustmaster.com> (clique em Racing Wheels / TH8A Shifter, em seguida seleccione Configurações de jogos). Esta lista é atualizada regularmente.

\* Na PS4™, recomendamos que não utilize um concentrador USB quando ligar o volante ou a alavanca de velocidades TH8A; ligue o dispositivo diretamente às portas USB da PS4™.

\* Alguns jogos requerem que instale as atualizações disponíveis mais recentes para que a alavanca de velocidades TH8A possa funcionar corretamente (a consola de jogos deve estar ligada à Internet).

## XBOX ONE/XBOX SERIES

**= Em todos os jogos para a Xbox One/Xbox Series, ligue sempre a alavanca de velocidades TH8A diretamente à base do volante Thrustmaster (NUNCA à porta USB da consola de jogos).**

- Ligue o conector DIN da alavanca de velocidades TH8A ao cabo DIN/DIN amovível.

- Ligue a alavanca de velocidades TH8A ao conector da alavanca de velocidades situado na parte posterior da base do volante. - Ligue o volante e inicie o jogo.

**A alavanca de velocidades pode então funcionar com as chapas de mudança de velocidades H (7+1) ou SEQUENCIAL (+/-).**

### **Nota importante sobre a Xbox One/Xbox Series:**

Quando utilizar a chapa de mudança de velocidades SEQUENCIAL (+/-) da alavanca de velocidades TH8A, esta é ligada às pás de mudança de velocidades UP (= RB) e DOWN (= LB) do volante.

**Quando utilizar a chapa de mudança de velocidades SEQUENCIAL (+ /-) da alavanca de velocidades TH8A, esta funciona com todos os jogos de corridas de automóveis para a Xbox One/Xbox Series compatíveis com o volante Thrustmaster para a Xbox One/Xbox Series.**

\* Uma lista de jogos para a Xbox One/Xbox Series compatíveis com a alavanca de velocidades TH8A está disponível aqui:

<https://support.thrustmaster.com> (clique em Racing Wheels / TH8A Shifter, em seguida seleccione Configurações de jogos). Esta lista é atualizada regularmente.

\* Alguns jogos requerem que instale as atualizações disponíveis mais recentes para que a alavanca de velocidades TH8A possa funcionar corretamente (a consola de jogos deve estar ligada à Internet).



**Para garantir a compatibilidade do seu volante Thrustmaster para a Xbox One/Xbox Series com a alavanca de velocidades TH8A, poderá ser-lhe pedido para atualizar o firmware do volante com a mais recente versão disponível via PC aqui: <https://support.thrustmaster.com> (clique em Racing Wheels / TH8A Shifter, em seguida seleccione Firmware).**

## INSTRUÇÕES DE CONFIGURAÇÃO PARA O PC

= Em todos os jogos para o PC(\*), ligue sempre a alavanca de velocidades TH8A diretamente a uma das portas USB do PC.

- Ligue o conector DIN da alavanca de velocidades TH8A ao cabo DIN/USB.
- Ligue a alavanca de velocidades TH8A a uma das portas USB do PC.
- Quando ligada ao PC, a alavanca de velocidades TH8A é um dispositivo Plug & Play, sendo detetada e instalada automaticamente.
- O dispositivo fica visível em seguida como "T500 RS Gear Shift" no Painel de Controlo do Windows®.
- Clique em Propriedades para testar e ver as funcionalidades do dispositivo.
- Inicie o jogo.

**Está pronto para começar a jogar!**

(\*) **Recomendações importantes para o PC** (aplicáveis apenas se for utilizado um volante Thrustmaster dotado de um conector para alavanca de velocidades integrado)

- Quando utilizar a chapa de mudança de velocidades SEQUENCIAL (+/-) da alavanca de velocidades TH8A, também pode ligar a alavanca de velocidades à parte posterior do volante com o cabo DIN/DIN amovível. A alavanca de velocidades é então ligada às pás de mudança de velocidades UP (= 2) e DOWN (= 1) do volante.

Com este volante, a chapa de mudança de velocidades SEQUENCIAL (+/-) da alavanca de velocidades TH8A funciona com todos os jogos de corridas de automóveis para o PC compatíveis com o volante.

- Alguns jogos permitem-lhe utilizar duas alavancas de velocidades em simultâneo:

Uma alavanca de velocidades TH8A com uma chapa de mudança de velocidades H (7+1), ligada à porta USB™ do PC

+ Uma alavanca de velocidades com uma chapa de mudança de velocidades SEQUENCIAL (+/-), ligada à parte posterior do volante

\* No PC, a alavanca de velocidades Thrustmaster é compatível com:

- todos os jogos que suportam MULTI-USB e alavancas de velocidades.
- todos os volantes do mercado.

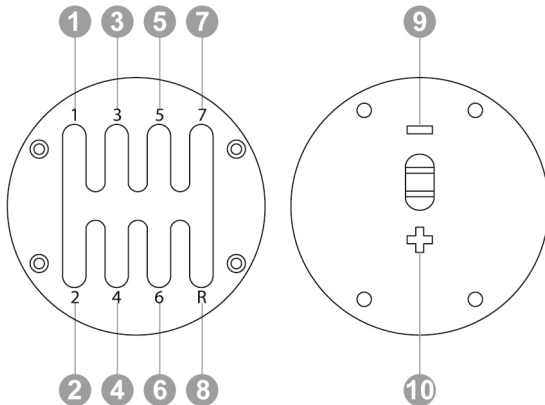
\* Recomendamos que ligue o volante e a alavanca de velocidades TH8A diretamente às portas USB 2.0 (não USB 3.0) do PC, sem utilizar um concentrador USB.

\* Em relação a alguns jogos para PC, **tem** de instalar as últimas atualizações disponíveis dos mesmos para que a alavanca de velocidades Thrustmaster funcione devidamente.

\* Relativamente a alguns jogos para PC (a fim de evitar quaisquer conflitos entre o volante e a alavanca de velocidades), poderá ser necessário:

- não mapear nada nos pedais de mudança de velocidades do volante.
- ativar a função "Hold button for gear" (Premir botão para mudar velocidade).

## MAPEAMENTO NO PC



## PACOTE DE SOFTWARE

Há um "pacote de software" disponível aqui: <https://support.thrustmaster.com> (clique em Racing Wheels / TH8A Shifter / Controladores).

- Depois de instalar o pacote de software, poderá:

- \* verificar a versão do firmware da alavanca de velocidades.
- \* atualizar o firmware (se necessário) com a última versão disponível.
- \* utilizar o "Método BOOTLOADER"  
(para restaurar a alavanca de velocidades, na eventualidade de perda do firmware).
- \* aceder a um Control Panel (controlador de jogos) personalizado no computador
- \* no PC, desfrute do modo ANALÓGICO (travão de mão)

## SOFTWARE DE CALIBRAGEM AVANÇADA

A calibragem da alavanca de velocidades TH8A é efetuada automaticamente.

Uma aplicação de software de calibragem avançada para o PC também está disponível aqui: <https://support.thrustmaster.com> (clique em Racing Wheels / TH8A Shifter / Software). Permite-lhe ajustar o curso da alavanca de velocidades ao seu gosto.

Uma vez concluídas as definições, são guardadas imediatamente na memória interna da alavanca de velocidades (e podem ser utilizadas na PS4™/PS5™, Xbox One/Xbox Series e PC).

## RESUMO DAS INSTRUÇÕES DE LIGAÇÃO DA ALAVANCA DE VELOCIDADES TH8A A VÁRIOS SISTEMAS

	Ligar a alavanca de velocidades TH8A
PS4™	<u>Consoante o jogo ou o volante (*)</u> : - Diretamente ao sistema PS4™/PS5™ (USB) - Ou à parte posterior do volante (DIN)
PS5™	Sempre à parte posterior do volante (DIN)
XBOX ONE/XBOX SERIES	Sempre à parte posterior do volante (DIN)
PC	Sempre(*) diretamente ao PC (USB)

(\*) Para mais informações relativamente a quaisquer exceções, consulte as secções **Recomendações importantes** nas páginas relevantes do manual.

### ATENÇÃO

\* Nunca ligue a alavanca de velocidades TH8A diretamente a qualquer outro dispositivo além de um volante Thrustmaster, mesmo que esse dispositivo possua um conector DIN idêntico. Isto poderá danificar a alavanca de velocidades TH8A ou o outro dispositivo.

### RESOLUÇÃO DE PROBLEMAS

- \* A minha alavanca de velocidades não funciona corretamente ou parece estar mal calibrada:
  - Desligue o computador ou a consola, desligue a alavanca de velocidades da corrente, volte a ligá-la e reinicie o jogo.
  - No jogo, em "Options/Controller", selecione ou defina a configuração mais adequada.
  - Consulte o manual do utilizador do jogo ou a ajuda online para mais informações.
- Há vários tópicos e sugestões de ajuda (não incluídos neste manual), uma lista de jogos compatíveis, etc., disponíveis no site <https://support.thrustmaster.com>. Clique em Racing Wheels / TH8A Shifter.
- Na Xbox One/Xbox Series, para garantir a compatibilidade do seu volante Thrustmaster para a Xbox One/Xbox Series com a alavanca de velocidades TH8A, poderá ser-lhe pedido para atualizar o firmware do volante com a mais recente versão disponível via PC aqui: <https://support.thrustmaster.com> (clique em Racing Wheels / TH8A Shifter / Firmware).



## **INFORMAÇÕES SOBRE A GARANTIA PARA O CONSUMIDOR**

A Guillemot Corporation S.A., com sede social sita em Place du Granier, B.P. 97143, 35571 Chantepele, França (a seguir designada como "Guillemot") garante a nível mundial ao consumidor que este produto Thrustmaster está livre de defeitos em termos de materiais e fabrico durante um período de garantia que corresponde ao limite de tempo para intentar uma ação de conformidade relativamente a este produto. Nos países da União Europeia, isto corresponde a um período de dois (2) anos desde a entrega do produto Thrustmaster. Noutros países, o período de garantia corresponde ao limite de tempo para intentar uma ação de conformidade relativamente ao produto Thrustmaster de acordo com a legislação em vigor do país no qual o consumidor residia à data de compra do produto Thrustmaster (se a dita ação não existir no país correspondente, então o período de garantia será de um (1) ano a partir da data de compra original do produto Thrustmaster.

No caso de o produto apresentar algum defeito durante o período da garantia, contacte imediatamente o Suporte Técnico, que lhe indicará o procedimento a tomar. Se esse defeito se confirmar, o produto terá de ser devolvido ao respetivo local de compra (ou qualquer outro local indicado pelo Suporte Técnico).

No âmbito da presente garantia, e por opção do Suporte Técnico, o produto defeituoso do consumidor será substituído ou reparado. Se, durante o período da garantia, o produto Thrustmaster for submetido à dita reparação, qualquer período mínimo de (7) dias durante o qual o produto estiver fora de serviço será adicionado ao período da garantia restante (este período decorre desde a data do pedido intervenção pelo consumidor ou desde a data em que o produto em questão é disponibilizado para reparação, se a data em que o produto é disponibilizado para reparação for posterior à data do pedido de intervenção). Se for permitido pela legislação em vigor, a responsabilidade total da Guillemot e das respetivas filiais (incluindo para danos indiretos) está limitada à reparação ou à substituição do produto Thrustmaster. Se for permitido pela legislação em vigor, a Guillemot rejeita todas as garantias de comercialização ou adequação a um fim específico.

A presente garantia não se aplicará: (1) se o produto tiver sido modificado, aberto, alterado ou danificado em resultado de utilização inadequada ou abusiva, negligência, acidente, desgaste normal ou qualquer outra causa relacionada com um defeito de material ou fabrico (incluindo, mas sem limitação, combinar o produto Thrustmaster com qualquer elemento inadequado, incluindo, em particular, fontes de alimentação, baterias recarregáveis, carregadores ou quaisquer outros elementos não fornecidos pela Guillemot para este produto); (2) se o produto tiver sido utilizado fora do âmbito da utilização doméstica, incluindo para fins profissionais ou comerciais (salas de jogos, treino e competições, por exemplo); (3) na eventualidade de incumprimento das instruções fornecidas pelo Suporte Técnico; (4) a software, estando o mesmo sujeito a uma garantia específica; (5) a consumíveis (elementos para substituir ao longo da vida útil do produto: baterias descartáveis, auscultadores de áudio ou auriculares de auscultadores, por exemplo); (6) a acessórios (cabos, estojos, bolsas, sacos e correias de pulso, por exemplo); (7) se o produto foi vendido num leilão público.

A presente garantia não é transmissível.

Os direitos legais do consumidor no que concerne à legislação aplicável à venda de bens de consumo no seu país não são afetados pela presente garantia.

## Disposições de garantia adicionais

Durante o período da garantia, a Guillemot não fornecerá, em princípio, quaisquer peças de substituição, uma vez que o Suporte Técnico é a única parte autorizada a abrir e/ou reparar qualquer produto Thrustmaster (à exceção de quaisquer procedimentos de reparação que o Suporte Técnico possa pedir ao consumidor para realizar, através de instruções por escrito – por exemplo, devido à simplicidade e à falta de confidencialidade do processo de reparação – e fornecendo ao consumidor a(s) peça(s) de substituição necessária(s), quando aplicável).

Tendo em conta os seus ciclos de inovação, e a fim de proteger o seu know-how e segredos comerciais, a Guillemot não fornecerá, em princípio, qualquer notificação de reparação ou peças de substituição para produtos Thrustmaster cujo período da garantia tenha expirado.

## Responsabilidade

Se for permitido ao abrigo da legislação aplicável, a Guillemot Corporation S.A. (a seguir designada "Guillemot") e as respetivas filiais rejeitam qualquer responsabilidade por danos resultantes de uma ou mais das seguintes causas: (1) o produto foi modificado, aberto ou alterado; (2) incumprimento das instruções de montagem; (3) utilização inadequada ou abusiva, negligência ou acidente (um impacto, por exemplo); (4) desgaste normal; (5) utilização do produto fora do âmbito além da utilização doméstica, incluindo para fins profissionais ou comerciais (salas de jogos, treino e competições, por exemplo). Se for permitido ao abrigo da legislação aplicável, a Guillemot e as respetivas filiais rejeitam qualquer responsabilidade por danos relacionados com um defeito de material ou fabrico relativamente ao produto (incluindo, mas sem limitação, quaisquer danos causados direta ou indiretamente por qualquer software ou por combinar o produto Thrustmaster com qualquer elemento inadequado, incluindo, em particular, fontes de alimentação, baterias recarregáveis, carregadores ou quaisquer outros elementos não fornecidos pela Guillemot para este produto).

EN

FR

DE

NL

IT

ES

PT

RU

CS

TR

PL

日本語

繁體中文

한국어

العربية

## DIREITOS DE AUTOR

© 2021 Guillemot Corporation S.A. Todos os direitos reservados. Thrustmaster® é uma marca registada da Guillemot Corporation S.A. PlayStation® é uma marca registada da Sony Interactive Entertainment Inc. Windows® é uma marca registada da Microsoft Corporation nos Estados Unidos e/ou noutros países. Todas as outras marcas comerciais são pertencem aos respectivos proprietários. As ilustrações não são vinculativas. Os conteúdos, desenhos e especificações estão sujeitos a alteração sem aviso prévio e podem variar de país para país. Fabricado na China.

## RECOMENDAÇÕES DE PROTECÇÃO AMBIENTAL



\* Na União Europeia: Quando este produto chegar ao fim da sua vida útil, não o elimine juntamente com os resíduos domésticos normais; em vez disso, deixe-o num ponto de recolha de resíduos de equipamento eléctrico e electrónico (REEE) para posterior reciclagem.

O símbolo presente no produto, no manual de utilizador ou na caixa confirma-o.

Os materiais podem ser reciclados, dependendo das suas características. Através da reciclagem e de outras formas de processamento de resíduos de equipamento eléctrico e electrónico, pode dar um importante contributo no sentido de ajudar a proteger o ambiente.

Contacte as autoridades locais para saber onde fica o ponto de recolha mais perto da sua área de residência.

Relativamente a todos os outros países: Respeite a legislação local sobre a reciclagem de equipamento eléctrico e electrónico.

Informações a reter. As cores e as decorações podem variar.

Os fechos e os adesivos devem ser removidos do produto antes da utilização.

[www.thrustmaster.com](http://www.thrustmaster.com)

*\*Aplicável apenas à União Europeia, Reino Unido e Turquia*



**THRUSTMASTER®**

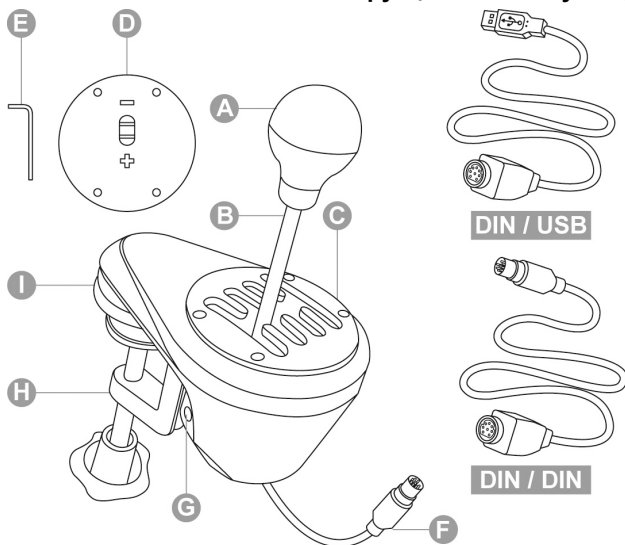
**SUORTE TÉCNICO**

<https://support.thrustmaster.com>



## PlayStation®4/PlayStation®5 — Xbox One/Xbox Series — ПК

### Инструкция по эксплуатации



### ТЕХНИЧЕСКИЕ ХАРАКТЕРИСТИКИ

- A** Съёмная рукоятка рычага переключения передач  
(по умолчанию не установлена)
- B** Рычаг
- C** Регулируемая направляющая пластина типа Н (7+1) (по умолчанию установлена)
- D** Регулируемая секвенционная направляющая пластина (+/-) (по умолчанию не установлена)

**E** 6-гранный ключ 2,5 мм (в комплекте)

**F** Кабель и разъем DIN

**G** Внутренний натяжной винт

**H** Регулируемый зажим

**I** Резьбовые отверстия для установки на копит

**DIN/USB** Съёмный кабель DIN/USB

**DIN/DIN** Съёмный кабель DIN/DIN

## ВНИМАНИЕ!

Перед эксплуатацией данного изделия внимательно ознакомьтесь с настоящей инструкцией. Сохраните инструкцию для дальнейшего использования.



### **Внимание — опасность поражения электрическим током!**

- \* Изделие следует хранить в сухом месте, избегая попадания на него пыли и солнечного света.
- \* Следует соблюдать направление подключения разъемов.
- \* Не допускается перекручивание разъемов и кабелей; кабели нельзя тянуть.
- \* Не допускается попадание жидкости на изделие и его разъемы.
- \* Не допускается короткое замыкание в цепи изделия.
- \* Запрещается разбирать изделие, кроме как в целях регулировки, описанной в настоящем руководстве; нельзя сжигать изделие и подвергать его воздействию высоких температур.



### **Внимание — риск травмирования по причине многократно повторяющихся движений!**

Игра с использованием переключателя передач может привести к возникновению мышечных и суставных болей. Советы по предотвращению проблем со здоровьем:

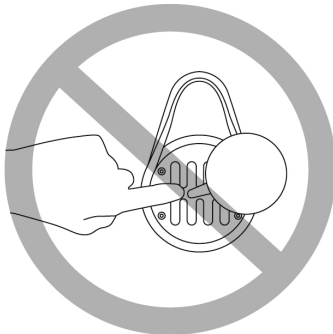
- \* старайтесь не играть слишком долго;
- \* после каждого часа игры делайте 10-15-минутный перерыв;
- \* если в кистях, запястьях или предплечьях появилась усталость или боль, прекратите игру и отдохните в течение нескольких часов, прежде чем снова приступить к игре;
- \* если вышеуказанные признаки проявляются снова при возвращении к игре, прекратите игру и обратитесь к врачу;
- \* база рычага переключения должна быть надежна закреплена, как описано в настоящей инструкции.



### **Внимание – риск защемления в щелях направляющей пластины!**

- \* Храните изделие вне доступа детей.
- \* Во время игры ни в коем случае не вставляйте пальцы (или иные части тела) в отверстия на направляющей пластины.

**НЕЛЬЗЯ**



## УСТАНОВКА РУКОЯТКИ РЫЧАГА ПЕРЕКЛЮЧЕНИЯ ПЕРЕДАЧ

1. Рукоятка (А) накручивается на рычаг (В) по часовой стрелке.
2. Для скручивания рукоятки ее следует поворачивать против часовой стрелки.



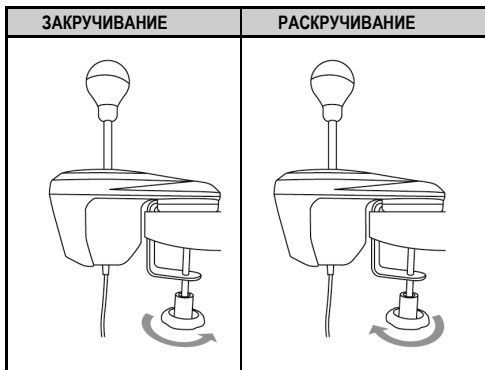
## ЗАКРЕПЛЕНИЕ ПЕРЕКЛЮЧАТЕЛЯ ПЕРЕДАЧ

Система крепления оптимизирована для любого типа опоры:

- **столы и полки** толщиной от 1 до 55 мм — крепление с помощью зажима (Н);
- **кабины пилотов (кокпиты)** — крепление с помощью резьбовых отверстий на базе (зажим снимается).

### Закрепление переключателя передач на столе

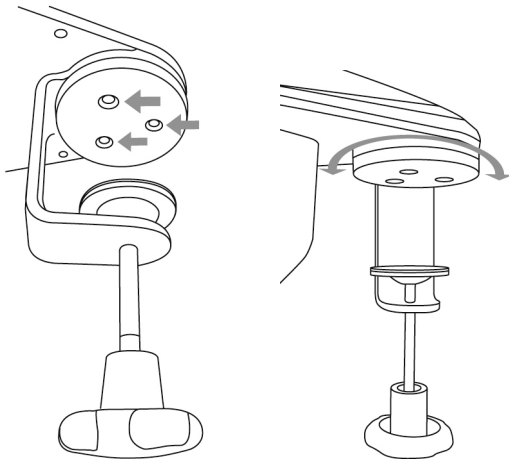
1. Расположите выступающий край переключателя на столе или иной плоской поверхности.
2. Для затягивания поверните ручку зажима против часовой стрелки.
3. Для ослабления поверните ручку зажима по часовой стрелке.



## Изменение положения зажима (возможен поворот на 360°)

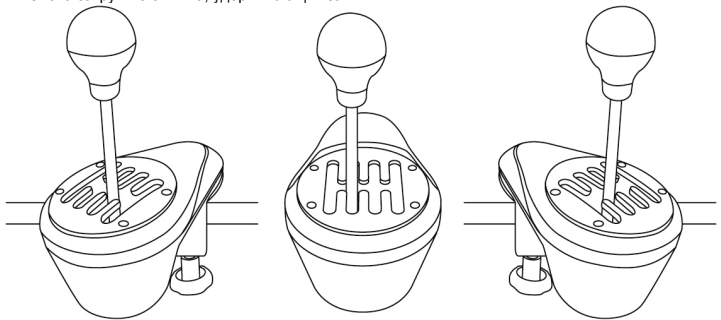
1. С помощью шестигранного ключа 2,5 мм (**E**) слегка раскрутите 3 фиксирующих винта на зажиме (**H**).

Зажим (а значит, и весь переключатель) можно повернуть вручную на 360°.



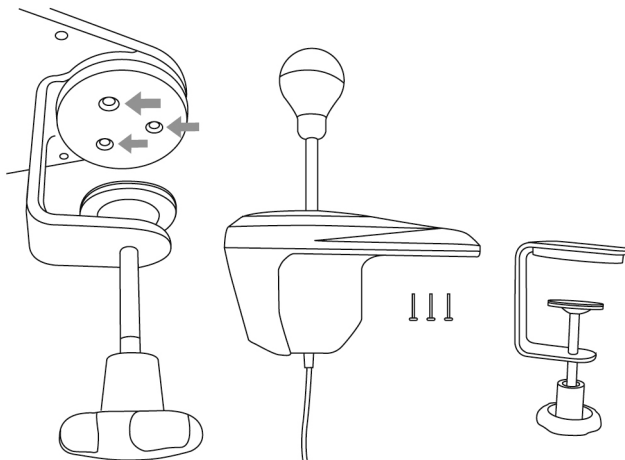
2. Выберите нужное положение переключателя (ниже показаны 3 примера из множества различных вариантов).

Снова закрутите 3 винта, удерживающих зажим.

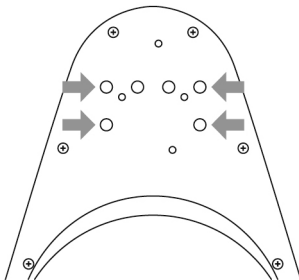


## Закрепление переключателя передач на кокпите

1. С помощью шестигранного ключа 2,5 мм (E) полностью раскрутите и снимите 3 фиксирующих винта на зажиме (H). Снимите зажим с переключателя.



2. После удаления зажима закрутите 2 винта М6 (не входят в комплект) на панели кокпита и ввинтите их в 2 из 4 небольших резьбовых отверстий (I) на нижней стороне выступающей части переключателя.



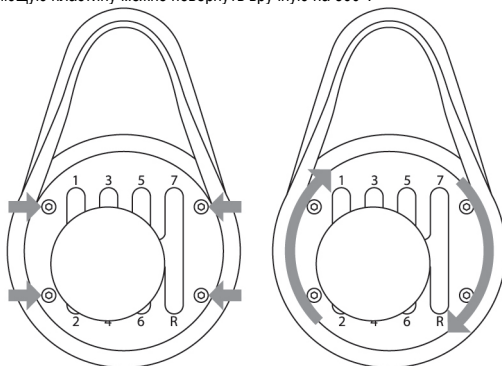
**Не используйте слишком длинные винты М6, которые могут проткнуть и повредить верхнюю сторону выступающей части переключателя.**

Шаблон для монтажа переключателя на кокпите можно найти на сайте <https://support.thrustmaster.com> (Выберите Гонимые рули / TH8A Shifter, затем Инструкция по эксплуатации).

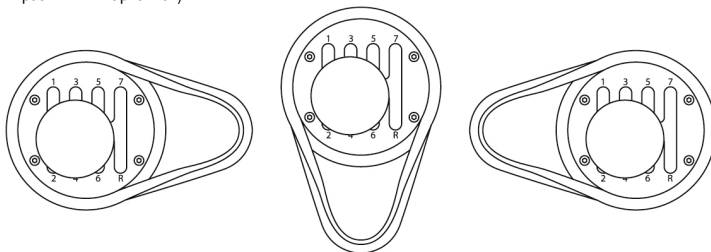


# ИЗМЕНЕНИЕ ПОЛОЖЕНИЯ НАПРАВЛЯЮЩИХ ПЛАСТИН (ВОЗМОЖЕН ПОВОРОТ НА 360°)

1. С помощью шестигранного ключа 2,5 мм (**E**) слегка раскрутите 4 фиксирующих винта на направляющей пластине (**C или D**).  
Направляющую пластину можно повернуть вручную на 360°.



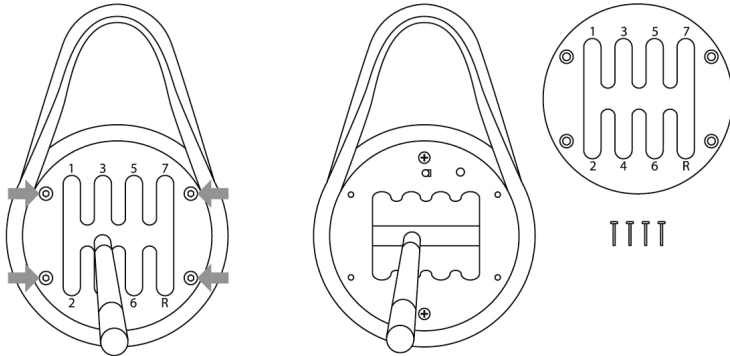
2. Выберите нужное положение переключателя (ниже показаны 3 примера из множества различных вариантов).



3. Снова закрутите 4 винта, удерживающих направляющую пластину.

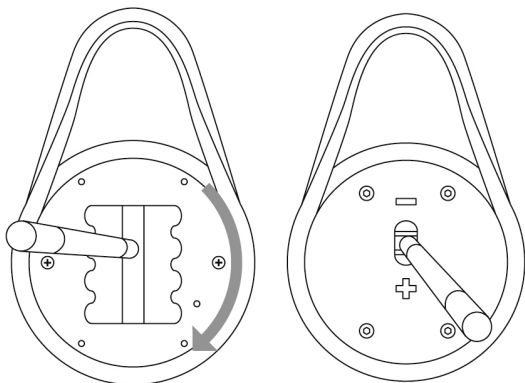
## ЗАМЕНА НАПРАВЛЯЮЩЕЙ ПЛАСТИНЫ ТИПА «Н (7+1)» НА СЕКВЕНЦИОННУЮ ПЛАСТИНУ (+/-)

1. Открутите рукоятку рычага переключения (против часовой стрелки) и снимите ее (А).
2. С помощью шестигранного ключа 2,5 мм (Е) полностью раскрутите и снимите 4 фиксирующих винта на направляющей пластине типа «Н (7+1)». Снимите пластину.

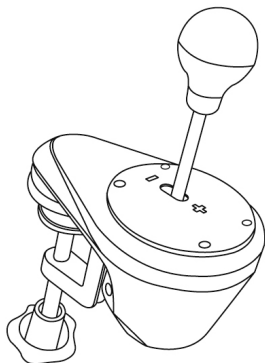


**Во время этой процедуры не уроните случайно  
винт внутрь механизма переключателя.**

3. Вручную поверните внутреннюю конструкцию на 90° вправо (по часовой стрелке).  
Затем установите секвенционную направляющую пластину (+/-).

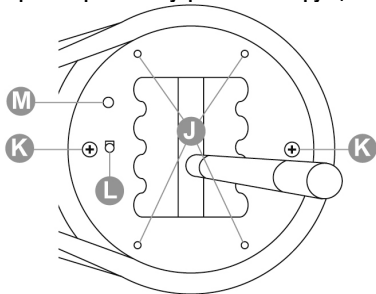


4. С помощью шестигранного ключа 2,5 мм (**E**) до конца закрутите 4 фиксирующих винта на секвенционной направляющей пластине (+/-). Снова накрутите рукоятку на рычаг переключения (по часовой стрелке).



*Для установки направляющей пластины типа «Н (7+1)» повторите указанные действия в обратном порядке.*

## Примечания по верхней крышке внутренней конструкции:



**J:** 4 резьбовых отверстия для крепления направляющей пластины (**C или D**).

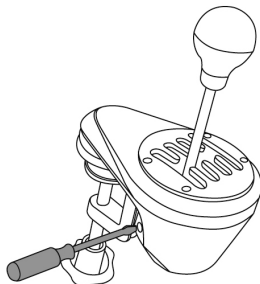
**K:** 2 фиксирующих винта внутренней конструкции (не раскручивайте их).

**L:** Кнопка автоматического распознавания типа направляющей пластины (**C или D**). Эта кнопка **автоматически** нажимается при установке секвенционной пластины (+/-). Во избежание проблем с обнаружением необходимо соблюдать чистоту этой зоны.

**M:** Отверстие для удобства позиционирования направляющей пластины.

## РЕГУЛИРОВКА СОПРОТИВЛЕНИЯ РЫЧАГА ПЕРЕКЛЮЧЕНИЯ ПЕРЕДАЧ

- \* Относится только к направляющей пластине типа «Н (7+1)».
- \* Перед выполнением регулировки направляющую пластину типа «Н (7+1)» **следует** установить в исходное положение (см. рис. ниже).



1. Возьмите большую шлицевую отвертку и приложите ее к головке внутреннего натяжного винта (G), расположенного в нижней левой части корпуса переключателя.
2. Для постепенного увеличения сопротивления поворачивайте винт по часовой стрелке.
3. Для постепенного уменьшения сопротивления поворачивайте винт против часовой стрелки.

УВЕЛИЧЕНИЕ СОПРОТИВЛЕНИЯ	УМЕНЬШЕНИЕ СОПРОТИВЛЕНИЯ
	

**2 полных оборота составляют весь диапазон между двумя крайними значениями сопротивления.**



**Во избежание повреждения системы:**

- прекратите закручивать винт, когда почувствуете сильное сопротивление;
- прекратите раскручивать винт, если рычаг начал шататься.

# ИНСТРУКЦИИ ПО НАСТРОЙКЕ ДЛЯ ИГРОВЫХ КОНСОЛЕЙ

## PLAYSTATION®4/PLAYSTATION®5

В зависимости от игры для PS4™/PS5™ и используемой рулевой системы:

**PS4™ = подключите (\*) переключатель TH8A напрямую к USB-порту консоли PS4™**

- Подключите разъем DIN переключателя TH8A к кабелю DIN/USB.
- Подключите переключатель TH8A к одному из USB-портов консоли PS4™.
- Запустите игру.

**Затем можно использовать переключатель TH8A с направляющей пластиной ТИПА «Н» (7+1) или СЕКВЕНЦИОННОЙ (+/-).**

**или**

**PS4™/PS5™ = подключите (\*) переключатель TH8A напрямую к базе руля Thrustmaster (только при наличии встроенного разъема для переключателя на базе рулевого колеса Thrustmaster)**

- Подключите разъем DIN переключателя TH8A к съемному кабелю DIN/DIN.
- Подключите переключатель TH8A к разъему для переключателя на задней стороне базы рулевого колеса.
- Подключите рулевую систему и запустите игру.

**Затем можно использовать переключатель TH8A с направляющей пластиной ТИПА «Н» (7+1) или СЕКВЕНЦИОННОЙ (+/-).**

**(\*) Важные рекомендации для системы PS4™/PS5™** (только в случае использования гоночного руля Thrustmaster со встроенным разъемом для переключателя)

- **PS4™/PS5™**: При использовании переключателя TH8A с СЕКВЕНЦИОННОЙ направляющей (+/-) его можно также подключить к задней стороне рулевого колеса с помощью съемного кабеля с разъемами DIN/DIN. При этом переключатель TH8A подключается к лепестковым переключателям UP (= R1) и DOWN (= L1) на руле. При использовании такого гоночного руля переключатель TH8A с СЕКВЕНЦИОННОЙ направляющей (+ /-) совместим со всеми гоночными играми для PS4™/PS5™, поддерживающими данную рулевую систему.

- **PS4™**: В некоторых играх можно использовать два переключателя TH8A одновременно: один переключатель TH8A с направляющей ТИПА «Н» (7+1), подключенный к USB-порту консоли PS4™,

- + один переключатель TH8A с СЕКВЕНЦИОННОЙ НАПРАВЛЯЮЩЕЙ (+/-), подключенный к задней стороне руля.

\* Список игр для PS4™/PS5™, совместимых с переключателем TH8A, и соответствующие инструкции по подключению (\*) (зависят от конкретной игры) можно найти здесь: <https://support.thrustmaster.com> (Выберите Гоночные рули / TH8A Shifter, затем игры настройки). Этот список регулярно обновляется.

\* Не рекомендуется использовать USB-концентратор с системой PS4™ при подключении рулевой системы или переключателя TH8A; устройства следует подключать напрямую к USB-портам консоли PS4™.

\* В некоторых играх для нормальной работы переключателя TH8A требуется установка свежих обновлений прошивки (игровая консоль должна быть подключена к Интернету).

## XBOX ONE/XBOX SERIES

**= Для всех игр для Xbox One/Xbox Series: обязательно подключать переключатель TH8A напрямую к базе рулевого колеса Thrustmaster (НИ В КОЕМ СЛУЧАЕ не к USB-порту игровой консоли).**

- Подключите разъем DIN переключателя TH8A к съемному кабелю DIN/DIN.
- Подключите переключатель TH8A к разъему для переключателя на задней стороне базы рулевого колеса.
- Подключите рулевую систему и запустите игру.

**Затем можно использовать переключатель TH8A с направляющей пластиной ТИПА «Н» (7+1) или СЕКВЕНЦИОННОЙ (+/-).**

### **Важное примечание относительно консоли Xbox One/Xbox Series**

При использовании переключателя TH8A с СЕКВЕНЦИОННОЙ направляющей (+/-), переключатель подключается к лепестковым переключателям UP (= RB) и DOWN (= LB) на руле.

При использовании переключателя TH8A с СЕКВЕНЦИОННОЙ направляющей (+/-) он совместим со всеми гоночными играми для Xbox One/Xbox Series, поддерживающими рулевую систему Thrustmaster для Xbox One/Xbox Series..

\* Список игр для Xbox One/Xbox Series, совместимых с переключателем TH8A, можно найти здесь:

<https://support.thrustmaster.com> (Выберите Гоночные рули / TH8A Shifter, затем игры настройки). Этот список регулярно обновляется.

\* В некоторых играх для нормальной работы переключателя TH8A требуется установка свежих обновлений прошивки (игровая консоль должна быть подключена к Интернету).



Для обеспечения совместимости рулевой системы Thrustmaster для Xbox One/Xbox Series с переключателем TH8A может потребоваться обновление прошивки рулевой системы до последней версии, которую можно загрузить с помощью ПК с сайта: <https://support.thrustmaster.com> (Выберите Гоночные рули / TH8A Shifter, затем Прошивка).

## ИНСТРУКЦИИ ПО НАСТРОЙКЕ ДЛЯ ПК

### = Для всех игр для ПК(\*): обязательно подключать переключатель TH8A напрямую к USB-порту ПК.

- Подключите разъем DIN переключателя TH8A к DIN/USB-кабелю.
- Подключите переключатель TH8A к одному из USB-портов ПК.
- Подключенный к ПК переключатель TH8A представляет собой устройство типа Plug & Play, он автоматически распознается и устанавливается.
- Затем устройство отображается в виде T500 RS Gear Shift в списке устройств на Панели управления Windows®.
- Щелкните «Свойства» для проверки и знакомства с функциями устройства.
- Запустите игру.

**Теперь все готово для игры!**

### (\* **Важные рекомендации для ПК** (только в случае использования гоночного руля Thrustmaster с разъемом для переключателя)

- При использовании переключателя TH8A с СЕКВЕНЦИОННОЙ направляющей (+/-) его можно также подключить к задней стороне рулевого колеса с помощью съемного кабеля с разъемами DIN/DIN. При этом переключатель TH8A подключается в лепестковым переключателям UP (= 2) и DOWN (= 1) на руле.

При использовании такого гоночного руля переключатель TH8A с СЕКВЕНЦИОННОЙ направляющей (+ /-) совместим со всеми гоночными играми для ПК, поддерживающими данную рулевую систему.

- В некоторых играх можно использовать два переключателя TH8A одновременно: один переключатель TH8A с направляющей ТИПА «Н» (7+1), подключенный к USB-порту ПК, + один переключатель TH8A с СЕКВЕНЦИОННОЙ НАПРАВЛЯЮЩЕЙ (+/-), подключенный к задней стороне руля.

\* На ПК рычаг переключения передач Thrustmaster совместим:

- со всеми играми с поддержкой MULTI-USB и переключателей;
- со всеми имеющимися на рынке рулевыми системами.

\* Рекомендуется подключать рулевую систему и переключатель непосредственно к портам USB 2.0 (не USB 3.0) на ПК, без использования USB-концентратора.

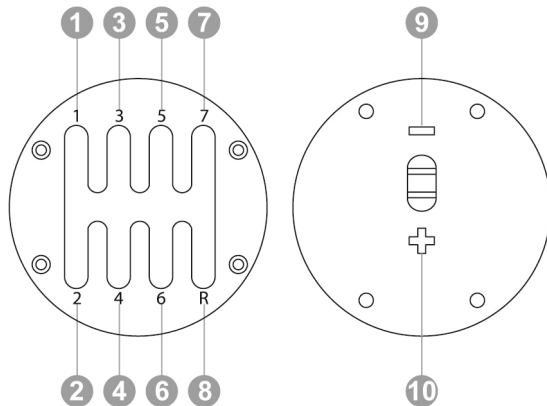
\* Некоторые игры на ПК **требуют** установки последних обновлений для нормальной работы рычага переключения передач Thrustmaster.

\* Для некоторых игр на ПК (во избежание конфликтов между рулевой системой и переключателем) может потребоваться выполнение следующих условий:

- отсутствие проекций на систему управления рычага переключения рулевой системы;
- включение функции «удержания кнопки для переключения передач».



## СОПОСТАВЛЕНИЕ ФУНКЦИЙ НА ПК



## ПРОГРАММНЫЙ ПАКЕТ

Пакет ПО можно загрузить с сайта: <https://support.thrustmaster.com> (Выберите Гонимые рули / TH8A Shifter, затем Драйверы).

- После установки пакета ПО можно выполнять следующие действия:

- \* определять версию прошивки переключателя;
- \* обновлять прошивку по мере необходимости до последней версии;
- \* использовать программу загрузки (для восстановления прошивки переключателя в случае ее утраты);
- \* пользоваться оптимизированной Панелью управления (игровой контроллер) на ПК.
- \* на ПК можно воспользоваться АНАЛОГОВЫМ режимом (ручной тормоз)

## РАСШИРЕННОЕ ПО ДЛЯ КАЛИБРОВКИ

Калибровка системы переключения передач TH8A выполняется автоматически.

Расширенное ПО для калибровки для ПК можно также загрузить с сайта: <https://support.thrustmaster.com> (Выберите Гонимые рули / TH8A Shifter, затем Программное обеспечение). С помощью этого ПО можно отрегулировать ход рычага переключения передач в соответствии со своими предпочтениями.

После выполнения настроек они сразу же сохраняются во встроенную память системы переключения передач (и могут быть использованы на PS4™/PS5™, Xbox One/Xbox Series и ПК).

## СВОДНАЯ СПРАВКА ПО ПОДКЛЮЧЕНИЮ ПЕРЕКЛЮЧАТЕЛЯ TH8A К РАЗЛИЧНЫМ СИСТЕМАМ

	Подключите переключатель TH8A
PS4™	В зависимости от игры и модели рулевой системы (*) : - напрямую к системе PS4™/PS5™ (USB); - или к задней стороне базы руля (DIN)
PS5™	- Только к задней стороне базы руля (DIN)
XBOX ONE/XBOX SERIES	- Только к задней стороне базы руля (DIN)
ПК	Только (*) непосредственно к ПК (USB)

(\*) Подробнее о любых исключениях см. в разделах **Важные рекомендации** на соответствующих страницах данного руководства.

### ВНИМАНИЕ!

\* Ни в коем случае не подключайте переключатель TH8A напрямую к какому-либо устройству, кроме рулевой системы Thrustmaster, даже если такое устройство оснащено аналогичным разъемом DIN. В результате такого действия возможно повреждение переключателя TH8A или второго устройства.

### УСТРАНЕНИЕ НЕПОЛАДОК

\* Переключатель не работает должным образом или кажется неверно откалиброванным:

- выключите компьютер или консоль, отключите переключатель, подключите его снова и перезагрузите игру;
- в игре, в разделе «Параметры/Контроллер» выберите оптимальную конфигурацию;
- для получения дополнительных сведений обратитесь к инструкции по эксплуатации или к Интернет-справке;

- различные справочные разделы и рекомендации (не представленные в настоящей инструкции), список совместимых игр и пр. можно найти на веб-сайте <https://support.thrustmaster.com>. Выберите Гоночные рули / TH8A Shifter.

- На системе Xbox One/Xbox Series: для обеспечения совместимости рулевой системы Thrustmaster для Xbox One/Xbox Series с переключателем TH8A может потребоваться обновление прошивки рулевой системы до последней версии, которую можно загрузить с помощью ПК с сайта: <https://support.thrustmaster.com> (Выберите Гоночные рули / TH8A Shifter / Прошивка).

## **Сведения о потребительской гарантии**

Корпорация Guillemot Corporation S.A., зарегистрированная по адресу Place du Granier, B.P. 97143, 35571 Chantepie, Франция, (далее — «Guillemot») гарантирует своим клиентам во всем мире, что в данном изделии Thrustmaster не будет выявлено никаких дефектов материалов и производства в течение гарантийного периода, который равен сроку предъявления претензии по соответствию для данного изделия. В странах Европейского Союза этот срок соответствует двум (2) годам с момента поставки изделия Thrustmaster. В других странах гарантийный период равен сроку предъявления претензии по соответствию для изделия Thrustmaster, определяемому соответствующим законодательством страны, в которой проживал потребитель на момент приобретения изделия Thrustmaster (если подобные претензии не действуют в соответствующей стране, гарантийный период равняется одному (1) году с первоначальной даты приобретения изделия Thrustmaster).

В случае обнаружения дефектов изделия во время гарантийного периода незамедлительно обратитесь в службу технической поддержки, сотрудники которой определят дальнейшую процедуру. Если дефект будет подтвержден, изделие следует вернуть по месту приобретения (или в любое другое место, указанное службой технической поддержки).

В рамках действия гарантии дефектное изделие будет, по усмотрению службы технической поддержки, заменено или возвращено в рабочее состояние. Если в течение гарантийного срока изделие Thrustmaster будет подвержено такому восстановлению, к оставшемуся гарантийному сроку прибавляется период времени, но не менее семи (7) дней, во время которого изделие находилось вне употребления (началом этого периода считается дата запроса покупателя о вмешательстве или дата предоставления дефектного изделия для восстановления, если изделие было предоставлено для восстановления позднее, чем был сделан запрос о вмешательстве). В мере, разрешенной применимым законодательством, полная ответственность компании Guillemot и ее дочерних компаний (в том числе косвенный ущерб) ограничивается восстановлением рабочего состояния или заменой изделия Thrustmaster. В мере, разрешенной применимым законодательством, компания Guillemot отказывается от любых гарантий коммерческой пригодности или пригодности для определенной цели.

Настоящая гарантия не распространяется: (1) на ситуации, когда изделие было видоизменено, открыто, модифицировано или получило повреждения в результате недопустимого или неправильного использования, небрежности или несчастного случая, естественного износа или любой другой причины, не связанной с дефектом материалов или производства (включая, помимо прочего, использование изделия Thrustmaster совместно с любыми неподходящими элементами, в частности — с блоками питания, аккумуляторами, зарядными устройствами и любыми другими элементами, не входящими в комплектацию Guillemot для данного изделия); (2) на случаи использования продукта в любых целях, кроме бытовых, в том числе на случаи профессионального или коммерческого применения (например, в игровых залах, для проведения обучения и соревнований); (3) на ситуации, когда указания службы технической поддержки не были выполнены; (4) на ПО, так как на такое ПО распространяется отдельная гарантия; (5) на расходные материалы (элементы, предназначенные для замены в течение срока службы изделия: например, батарейки и ушные подушки для гарнитуры или наушников); (6) на аксессуары (например, кабели, чехлы, сумки, футляры, наручные ремешки); (7) на случаи продажи изделия с открытого аукциона. Данная гарантия не подлежит передаче.

Настоящая гарантия не ущемляет прав потребителя, предоставляемых ему применимыми законами в отношении продажи потребительских товаров в соответствующей стране.

### **Дополнительные условия гарантии**

В течение гарантийного срока компания Guillemot, в общем и целом, не предоставляет никаких запасных частей, так как вскрытие и/или модификацию любых изделий Thrustmaster вправе осуществлять только служба технической поддержки (за исключением каких-либо процедур по модификации, которые служба технической поддержки может предложить выполнить клиенту путем письменных инструкций и предоставления, при необходимости, требуемых запасных частей: например, в связи с отсутствием статуса сложности или конфиденциальности у такой восстановительной процедуры).

С учетом периода освоения новых изделий и в целях защиты своих ноу-хау и коммерческих тайн компания Guillemot, в общем и целом, не предоставляет каких-либо уведомлений о восстановлении или запасных частей для любых изделий Thrustmaster с истекшим гарантийным сроком.

### **Ответственность**

В мере, разрешенной применимым законодательством, компания Guillemot Corporation S.A. (далее — «Guillemot») и ее дочерние предприятия отказываются от любой ответственности за любой ущерб, вызванный одним или несколькими из следующих факторов: (1) видоизменение, вскрытие или модификация изделия; (2) несоблюдение инструкций по сборке; (3) недопустимое или неправильное использование, небрежность, несчастный случай (например, физическое воздействие); (4) естественный износ; (5) использование продукта в любых целях, кроме бытовых, в том числе профессиональное или коммерческое применение (например, в игровых залах, для проведение обучения и соревнований). В мере, разрешенной применимым законодательством, компания Guillemot и ее дочерние предприятия отказываются от любой ответственности за любой ущерб, не связанный с дефектами материалов или изготовления, в отношении данного изделия (включая, помимо прочего, любой ущерб, вызванный прямо или опосредованно любым программным обеспечением или использованием изделия Thrustmaster с любыми неподходящими элементами, в частности — блоками питания, аккумуляторами, зарядными устройствами и любыми другими элементами, не входящими в комплектацию Guillemot для данного изделия).

## АВТОРСКОЕ ПРАВО

© 2021 Guillemot Corporation S.A. Все права защищены. Thrustmaster® является зарегистрированной торговой маркой Guillemot Corporation. PlayStation® является зарегистрированной торговой маркой Sony Interactive Entertainment Inc. Microsoft® Windows® является зарегистрированной торговой маркой Microsoft Corporation в Соединенных Штатах Америки и/или других странах. Все прочие торговые марки являются собственностью соответствующих владельцев. Иллюстрации могут не соответствовать внешнему виду/функциям конкретного изделия. Содержание руководства, конструкция и технические характеристики изделия изменяются без предварительного уведомления и зависят от страны приобретения.

При использовании изделия учитывайте следующее: цвета и дизайн могут различаться. Пластиковые стяжки и клейкую ленту следует снять перед использованием изделия.

[www.thrustmaster.com](http://www.thrustmaster.com)

# EAC

**THRUSTMASTER®**

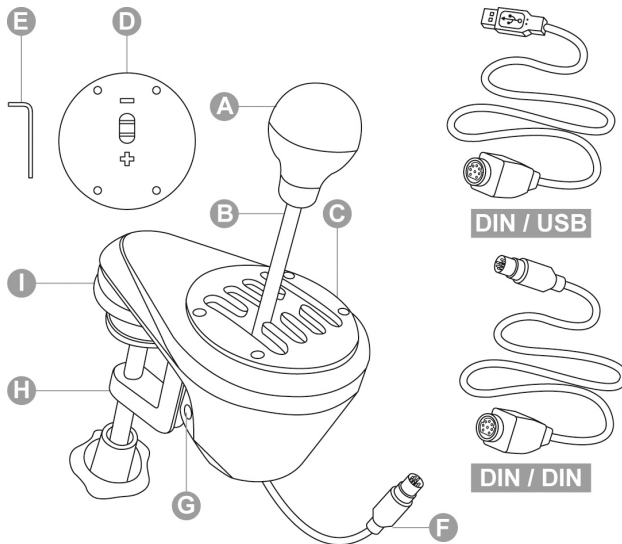
ТЕХНИЧЕСКОЙ ПОДДЕРЖКИ

<https://support.thrustmaster.com>



## PlayStation®4/PlayStation®5 – Xbox One/Xbox Series – PC

### Uživatelský Manuál



### TECHNICKÉ VLASTNOSTI

- A** Odnímatelná hlavice řídicí páky  
(ve výchozím stavu není instalována)
  - B** Páka
  - C** Nastavitelná řídicí deska ve stylu "H (7+1)"  
(instalovaná ve výchozím stavu)
  - D** Nastavitelná řídicí deska ve stylu "S (+/-)"  
sekvenční  
(ve výchozím stavu není instalována)
  - E** 2,5 mm imbusový klíč (v dodávce)
  - F** Kabel a konektor DIN
  - G** Vnitřní napínací šroub
  - H** Nastavitelný upevňovací systém
  - I** Závítové otvory pro montáž do kokpitu
- DIN / USB** Odnímatelný DIN / USB kabel  
**DIN / DIN** Odnímatelný DIN / DIN kabel

## UPOZORNĚNÍ

Před použitím tohoto výrobku si pečlivě přečtete tento manuál. Uchovejte ho pro budoucí použití.



### **Upozornění – Nebezpečí úrazu elektrickým proudem**

- \* Tento výrobek uchovávejte na suchém místě, nevystavujte ho prachu a slunečnímu záření.
- \* Respektujte směr připojování konektorů.
- \* Za kabely a konektory netahejte a nekrutě jimi.
- \* Na výrobek nebo konektory nestříkejte kapaliny.
- \* Výrobek nezkratujte.
- \* Tento výrobek nerozebírejte (kromě možných nastavení popsanych v tomto manuálu), výrobek nevhazujte do ohně a nevystavujte vysokým teplotám.



### **Upozornění – Nebezpečí zranění způsobené opakovanými pohyby**

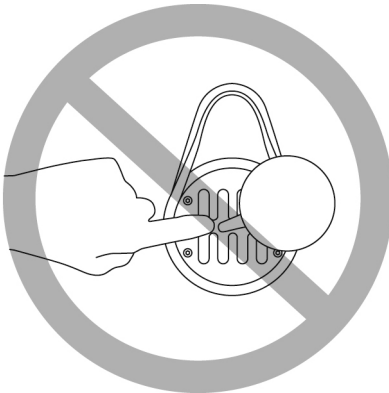
- Hraní s řadící pákou může mít za následek bolesti svalů a kloubů. Pro zabránění těmto problémům:
- \* S výrobkem nehrajte velmi dlouho dobu.
  - \* Po každé hodině hraní si udělejte 10 až 15minutovou přestávku.
  - \* Pokud pocítíte únavu nebo bolesti v rukou, zápěstí nebo pažích, přestaňte hrát a před dalším hraním několik hodin odpočívajte.
  - \* Pokud symptomy bolesti, popsané výše, nepřestávají, přestaňte hrát a konzultujte váš stav s lékařem.
  - \* Prověřte, zda základna řadící páky je správně připevněna, tak jak je popsáno v tomto manuálu.



### **Upozornění – Nebezpečí skřípnutí v otvorech řadící desky**

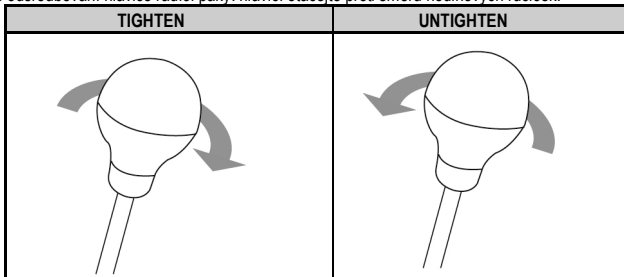
- \* Výrobek uchovávejte mimo dosah dětí.
- \* Při hraní, nikdy nevkládejte prsty (ani žádné jiné části vašeho těla) do otvorů řadící desky.

**NIKDY**



## INSTALACE HLAVICE ŘADÍCÍ PÁKY

1. Pro našroubování hlavice řadící páky (**A**) na páku (**B**): otáčejte hlavici řadící páky ve směru hodinových ručiček.
2. Pro odšroubování hlavice řadící páky: hlavici otáčejte proti směru hodinových ručiček.



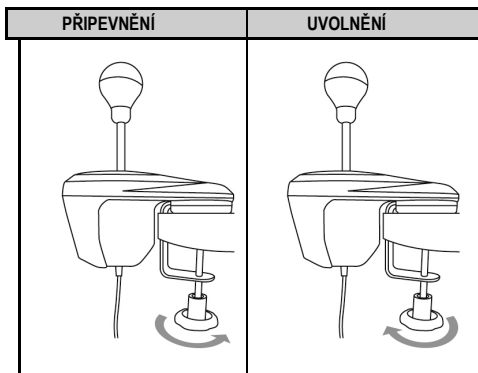
## PŘIPEVNĚNÍ ŘADÍCÍ PÁKY

Přípevnění páky je optimalizováno pro všechny druhy podstavců:

- Ke **stolům**, **psacím stolům** nebo **policím** o tloušťce od 1 do 55 mm, prostřednictvím upevňovacího systému (**H**).
- Do **kokpitů**, pomocí zabudovaných závitových otvorů (přípevňovací systém je odnímatelný).

### Přípevnění řadící páky ke stolu nebo psacímu stolu

1. Nos řadící páky položte na stůl nebo na jiný rovný povrch.
2. Přípevnění: přípevňovacím kolečkem otáčejte proti směru hodinových ručiček.
3. Uvolnění: přípevňovacím kolečkem otáčejte ve směru hodinových ručiček.

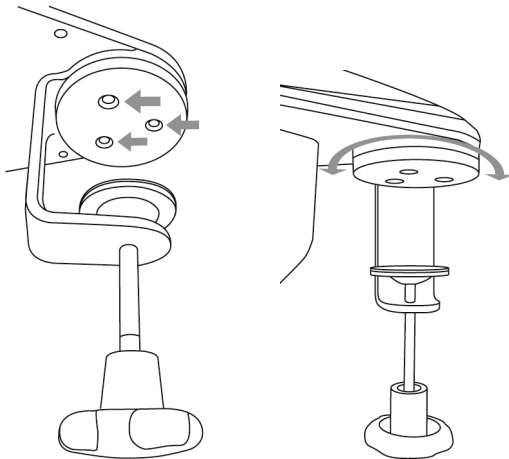




## Umístění a otáčení upevňovacím systémem (lze nastavit o 360°)

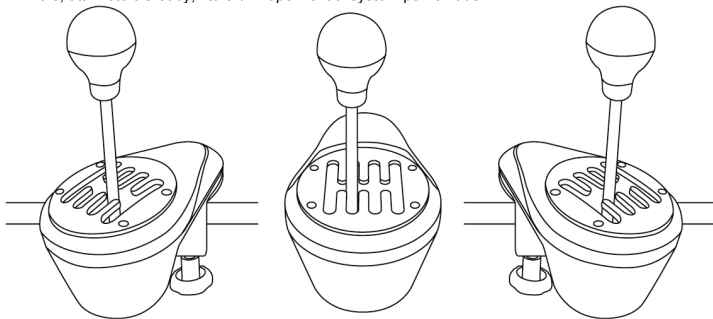
1. Za použití příloženého 2,5 mm imbusového klíče (**E**), velmi lehce odšroubujte 3 šrouby, které drží přípevňovací systém (**H**) pohromadě.

Upevňovacím systémem (a tudíž i celou řadičí pákou) lze ručně otáčet v rozsahu 360°.



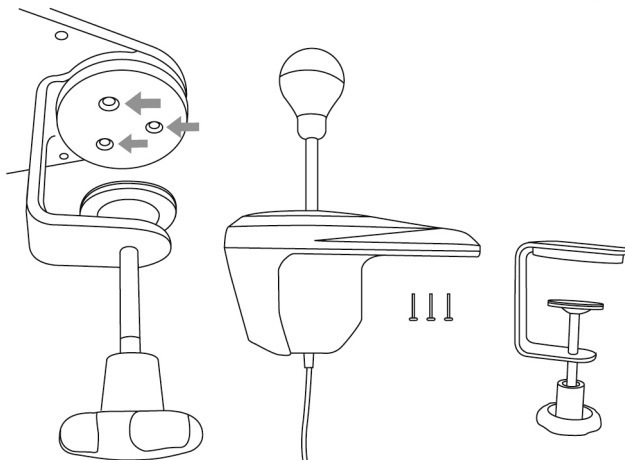
2. Zvolte vámi požadovanou polohu v rozsahu 360° (3 příklady z mnoha dalších možností jsou zobrazeny níže).

Dále, utáhněte 3 šrouby, které drží upevňovací systém pohromadě.

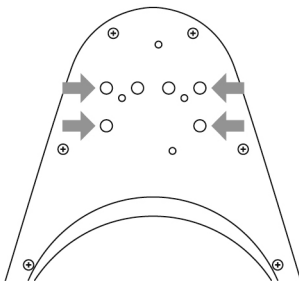


## Přípevnění řadicí páky do kokpitu

1. Za použití příloženého 2,5 mm imbusového klíče (**E**), úplně odšroubujte a vyjměte 3 šrouby, které drží upevňovací systém (**H**) pohromadě. Oddělte upevňovací systém od řadicí páky.



2. Po odmontování upevňovacího systému, zašroubujte 2 "M6" šrouby (nejsou v dodávce) do police v kokpitu, do dvou ze 4 malých závitových otvorů (**I**) umístěných ve spodní části nosu řadicí páky.

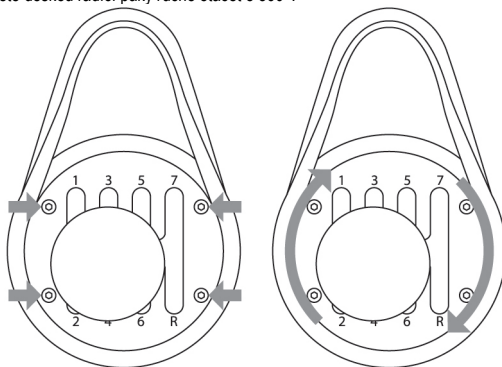


**Nepoužívejte příliš dlouhé šrouby "M6", mohly by prorazit a poškodit horní část nosu řadicí páky.**

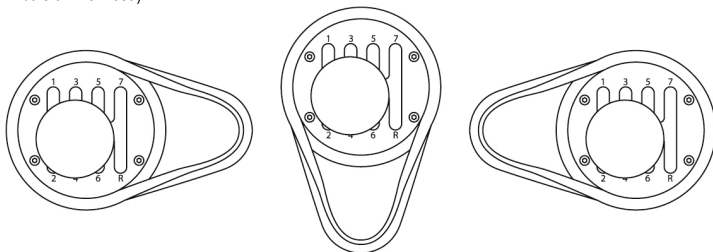
**Šablona pro montáž řadicí páky do kokpitů je dostupná na <https://support.thrustmaster.com>. Klikněte na Racing Wheels / TH8A Shifter, a pak zvolte Manual.**

## POLOHOVÁNÍ A OTÁČENÍ DESKY ŘADÍCÍ PÁKY (MŮŽE BÝT OTOČENA O 360°)

1. Za použití příloženého 2,5 mm imbusového klíče (**E**), lehce odšroubujte 4 šrouby, které drží desku řadící páky (**C** nebo **D**) na místě.  
Nyní můžete deskou řadící páky ručně otáčet o 360°.



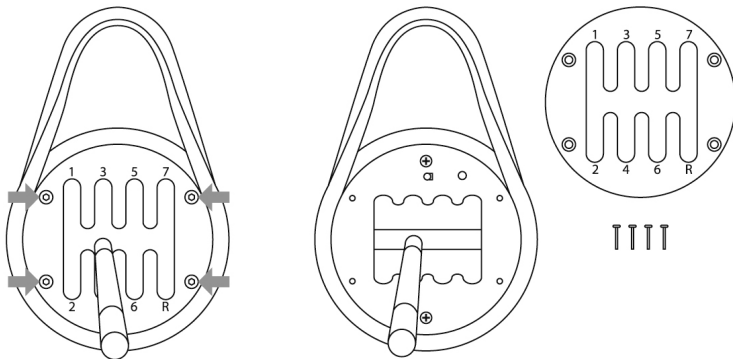
2. Vyberte vámi preferovanou pozici v rozsahu 360° otáčení (níže jsou uvedeny 3 příklady z mnoha dalších možností).



3. Utáhněte 4 šrouby, které drží desku řadící páky na místě.

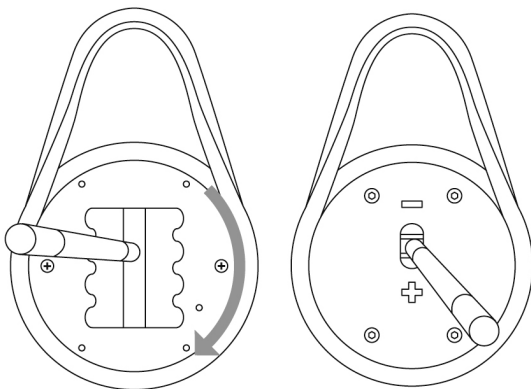
## ZÁMĚNA DESKY ŘADÍCÍ PÁKY Z “H-PATTERN (7+1)” ZA SEKVENČNÍ DESKU ŘADÍCÍ PÁKY “SEQUENTIAL (+/-)”

1. Odšroubujte (proti směru hodinových ručiček) a odstraňte hlavici řadící páky (A).
2. Za použití příloženého 2,5 mm imbusového klíče (E), úplně odšroubujte a vyjměte 4 šrouby, které drží řadící desku “H-pattern (7+1)”. Řadící desku vyjměte.

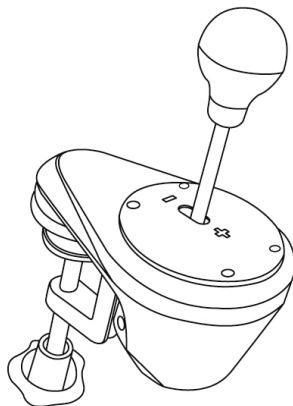


**Během této operace si dáváte pozor, aby vám náhodou nespadl některý ze šroubů do vnitřního mechanismu.**

3. Ručně otáčejte vnitřní strukturou o 90 °doprava (ve směru hodinových ručiček).  
Dále, vložte sekvenční “Sequential (+/-)” řadící desku.

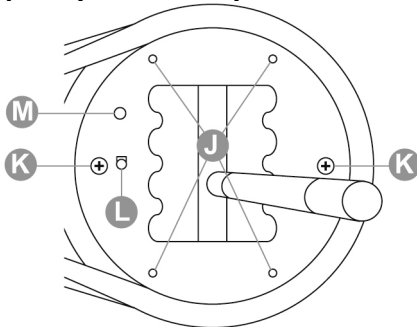


4. Použitím přiloženého 2,5 mm imbusového klíče (**E**), zašroubujte a utáhněte 4 šrouby, které drží sekvenční "Sequential (+/-)" řadící desku. Zašroubujte zpět hlavici řadící páky (ve směru hodinových ručiček).



***Opačným postupem zaměňte řadící desku "H-pattern (7+1)".***

## Poznámky týkající se kryty vnitřní struktury:



**J:** 4 "závitové otvory" pro připevnění řadičích desek (**C nebo D**).

**K:** 2 šrouby, které drží vnitřní strukturu na místě (nepovolujte je).

**L:** Tlačítko automaticky detekující typ použité řadičské desky (**C nebo D**). Je **automaticky** stlačeno, pokud je použita "Sequential (+/-)" řadičská deska. Tuto oblast udržujte v čistotě, aby bylo zamezeno problémům s detekcí.

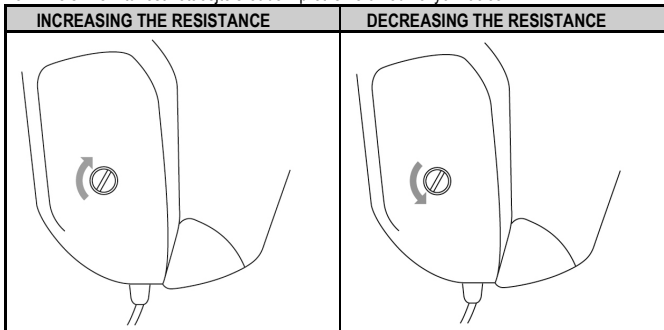
**M:** Otvor pro snazší umístění řadičské desky.

## NASTAVENÍ ODPORU ŘADÍCÍ PÁKY

- \* Použitelné pouze při použití řadící desky "H-pattern (7+1)".
- \* Před provedením jakýchkoliv úprav **musí** být řadící deska "H-pattern (7+1)" umístěna na své původní pozici (viz obrázky níže).



1. Použijte velký plochý šroubovák, šroubovák zasuněte do hlavy vnitřního napínacího šroubu (G), který naleznete v levé spodní části krytu řadící páky.
2. Pro mírné zvýšení tuhosti: otáčejte šroubem ve směru hodinových ručiček.
3. Pro mírné snížení tuhosti: otáčejte šroubem proti směru hodinových ručiček.



**2 úplné otáčky jsou dostačující pro přechod od maxima do minima.**



**Aby bylo zabráněno poškození systému:**

- Šroub přestaňte utahovat, pokud pocítíte silný odpor.
- Pokud se řadící páka uvolní a bude se viklat, přestaňte šroub povolovat.

# POKYNY PRO HERNÍ KONZOLE

## PLAYSTATION®4/PLAYSTATION®5

V závislosti na hře pro PS4™/PS5™ nebo na závodním volantu, který používáte:

### PS4™ = Připojte (\*) řadící páku TH8A přímo k USB rozhraní na PS4™

- Připojte DIN konektor řadící páky TH8A k DIN / USB kabelu.
- Připojte řadící páku TH8A k jednomu z USB rozhraní na vaší PS4™.
- Spusťte hru.

Řadící páka TH8A může pracovat buď s řadící deskou H-PATTERN (7+1) nebo s řadící deskou SEQUENTIAL (+/-).

**Nebo**

### PS4™/PS5™ = Připojte (\*) řadící páku TH8A přímo k základně závodního volantu Thrustmaster

(je použitelné pouze tehdy, pokud je váš závodní volant Thrustmaster vybaven zabudovaným konektorem pro řadící páku)

- Připojte DIN konektor řadící páky TH8A k odnímatelnému kabelu DIN / DIN.
- Připojte řadící páku TH8A ke konektoru řadící páky, který je umístěn v zadní části základny závodního volantu.
- Připojte váš závodní volant, spusťte hru.

Řadící páka TH8A může pracovat buď s řadící deskou H-PATTERN (7+1) nebo s řadící deskou SEQUENTIAL (+/-).

**(\*) Důležité doporučení pro systém PS4™/PS5™** (je použitelné pouze tehdy, pokud je váš závodní volant Thrustmaster vybaven zabudovaným konektorem pro řadící páku).

- **PS4™/PS5™:** Při použití sekvenční řadící desky SEQUENTIAL (+/-) řadící páky TH8A, můžete také připojit řadící páku k zadní straně závodního volantu za použití DIN / DIN kabelu. Řadící páka TH8A je potom připojena k řadícím páčkám závodního volantu UP (= R1) a DOWN (= L1).

S tímto závodním volantem, řadící deska SEQUENTIAL (+/-) řadící páky TH8A na 100 % funguje se závodními hrami pro PS4™, které jsou kompatibilní se závodním volantem.

- **PS4™:** Některé hry dovolují **současné použití dvou řadících pák TH8A:**

- Jedna řadící páka TH8A s řadící deskou H-PATTERN (7+1), připojená k USB portu PS4™
- + Jedna řadící páka TH8A s řadící deskou SEQUENTIAL (+/-) připojená k zadní části závodního volantu

\* Seznam her pro PS4™/PS5™, které jsou kompatibilní s řadící pákou TH8A a příslušné pokyny pro připojení (\*) (které se mohou v různých hrách lišit) jsou dostupné zde:

<https://support.thrustmaster.com> Klikněte na Racing Wheels / TH8A Shifter, a pak zvolte Games settings. Tento seznam je pravidelně aktualizován.

\* Na systémech PS4™, doporučujeme, abyste nepoužívali USB hub pro připojení závodního volantu nebo řadící páky TH8A; zařízení připojte přímo k USB portu na PS4™.

\* Některé hry vyžadují pro řadící páku TH8A instalaci nejnovějších aktualizací, aby pracovaly správně (vaše konzole musí být připojena k internetu).



## XBOX ONE/XBOX SERIES

**= Ve všech hrách pro Xbox One/Xbox Series, vždy připojujte řídicí páku TH8A přímo k základně závodního volantu Thrustmaster (NIKDY ji nepřipojujte USB portu herní konzole).**

- Připojte DIN konektor řídicí páky TH8A k odnímatelnému DIN / DIN kabelu.
- Připojte řídicí páku TH8A ke konektoru řídicí páky umístěného v zadní části základny závodního volantu.
- Připojte svůj závodní volant a spusťte hru.

**Řídicí páka TH8A může pracovat buď s řídicí deskou H-PATTERN (7+1) nebo s řídicí deskou SEQUENTIAL (+/-).**

### **Důležité poznámky o Xbox One/Xbox Series:**

Při použití řídicí desky SEQUENTIAL (+/-) řídicí páky TH8A, řídicí páka je připojena k řídicím páčkám závodního volantu UP (= RB) a DOWN (= LB).

**Při použití řídicí desky SEQUENTIAL (+ /-) řídicí páky TH8A, řídicí páka TH8A je 100% funkční ve všech závodních hrách pro Xbox One/Xbox Series, které jsou kompatibilní se závodními volanty Thrustmaster pro Xbox One/Xbox Series.**

\* Seznam her pro Xbox One/Xbox Series, které jsou kompatibilní s řídicí pákou TH8A je dostupný zde:

<https://support.thrustmaster.com>. Klikněte na Racing Wheels / TH8A Shifter, a pak zvolte Games settings. Tento seznam je pravidelně aktualizován.

\* Některé hry vyžadují pro řídicí páku TH8A instalaci nejnovějších aktualizací, aby pracovaly správně (vaše konzole musí být připojena k internetu).



**Aby byla zajištěna kompatibilita vašeho závodního volantu Thrustmaster pro Xbox One/Xbox Series s řídicí pákou TH8A, může být vyžadována aktualizace firmwaru závodního volantu na nejnovější dostupnou verzi prostřednictvím PC: <https://support.thrustmaster.com>. Klikněte na Racing Wheels / TH8A Shifter, a pak zvolte Firmware.**

### = Ve všech hrách (\*) pro PC, vždy řadící páku TH8A připojujte přímo k jednomu z USB portů počítače.

- Připojte DIN konektor řadící páky TH8A ke konektoru DIN / USB kabelu.
- Připojte řadící páku TH8A k jednomu z portů vašeho PC.
- Pokud je řadící páka TH8A připojena k PC, je řadící páka TH8A zařízení Plug & Play a je automaticky rozpoznána a instalována.
- V ovládacích panelech Windows® se objeví jako 'T500 RS Gear Shift'.
- Pro testování a prohlížení vlastností klikněte na Properties.
- Spusťte hru.

**Nyní jste připraveni závodit!**

### (\*) **Důležitá doporučení pro PC** (použitelné pouze pro závodní volanty Thrustmaster vybavené zabudovaným konektorem řadící páky

- **Při použití řadící desky SEQUENTIAL (+/-) řadící páky TH8A, můžete také připojit řadící páku k zadní části závodního volantu za použití odnímatelného DIN / DIN kabelu.** Řadící páka TH8A je pak připojena řadícím páčkám závodního volantu UP (= 2) a DOWN (= 1).

S tímto závodním volantem, řadící deska SEQUENTIAL (+/-) řadící páky TH8A je 100% funkční se závodními hrami pro PC, které jsou kompatibilní se závodním volantem.

- Některé hry umožňují **současné použití dvou řadících pák TH8A:**

- Jedna řadící páka TH8A s řadící deskou H-PATTERN (7+1), připojená k USB portu PC
- + Jedna řadící páka TH8A s řadící deskou SEQUENTIAL (+/-), připojená k zadní části závodního volantu

\* Na PC, je řadící páka Thrustmaster kompatibilní se:

- všemi hrami podporující MULTI-USB a řadící páky.
- všemi volanty na trhu.

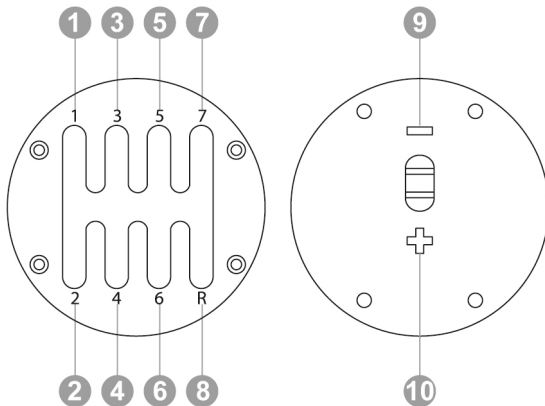
\* Doporučujeme připojit váš závodní volant k řadící páce TH8A přímo k USB 2.0 portu PC (nikoliv k USB 3.0), bez použití hubu.

\* Aby řadící páka TH8A fungovala správně, **musíte** na některých hrách pro PC nainstalovat nejnovější aktualizace hry.

\* U některých hrách pro PC (pro zamezení konfliktů mezi volantem a řadící pákou TH8A), může být nezbytné:

- nic nemapujete na řadící páčky na volant.
- povolit funkci "Hold button for gear".

## MAPOVÁNÍ NA PC



## SOFTWAREVÝ BALÍČEK

Softwarový balíček pro PC je dostupný zde:

<https://support.thrustmaster.com>. Klikněte na Racing Wheels / TH8A Shifter, a pak zvolte Drivers.

- Po instalaci softwarového balíčku budete moci:

- \* zkontrolovat verzi firmwaru řadičí páky TH8A.
- \* aktualizovat firmware (pokud je to nezbytné) na nejnovější dostupnou verzi.
- \* použít metodu "BOOTLOADER Method" (pro obnovu vaší řadičí páky, v případě ztráty firmwaru).
- \* přistupovat k přizpůsobenému ovládacímu panelu (ovladač hry) na PC.
- \* na PC, využívat režim ANALOG (ruční brzda)

## POKROČILÝ KALIBRAČNÍ SOFTWARE

Kalibrace převodových stupňů TH8A se provádí automaticky.

Pokročilý kalibrační software pro PC je také dostupný zde: <https://support.thrustmaster.com>. Klikněte na Racing Wheels / TH8A Shifter, a pak zvolte Software. Software vám umožní upravit řazení převodových stupňů k vaší spokojenosti.

Po dokončení nastavení jsou tato okamžitě uložena do vnitřní paměti převodovky (a může být použita na PS4™/PS5™, Xbox One/Xbox Series a PC).

# SOUHRN POKYŇŮ PRO PŘIPOJENÍ ŘADÍCÍ PÁKY TH8A K RŮZNÝM SYSTÉMŮM

EN

FR

DE

NL

IT

ES

PT

RU

CS

TR

PL

日本語

繁體中文

한국어

العربية

Připojení řadící páky TH8A	
PS4™	Podle hry nebo závodního volantu (*): - Buď přímo k systému PS4™/PS5™ (USB) - Nebo k zadní části závodního volantu (DIN)
PS5™	Vždy k zadní části závodního volantu (DIN)
XBOX ONE/XBOX SERIES	Vždy k zadní části závodního volantu (DIN)
PC	Vždy (*) přímo k PC (USB)

*(\*) Další informace týkajících se jakýchkoliv výjimek naleznete v částech **důležitá doporučení** na příslušných stránkách příručky.*

## UPOZORNĚNÍ

\* Nikdy nepřipojujte řadící páku TH8A přímo k jakémukoliv jinému zařízení než k závodnímu volantu Thrustmaster, dokonce ani když je toto zařízení vybavené shodným DIN konektorem. Mohlo by to způsobit poškození řadící páky TH8A nebo druhého zařízení.

## ŘEŠENÍ POTÍŽÍ

\* Má řadící páka nefunguje správně, zdá se, že je chybně nakalibrována:

- Vypněte váš počítač nebo konzoli, odpojte řadící páku, znovu vše připojte a restartujte svou hru.
- Ve vaší hře, pod "Options/Controller", vyberte nebo nastavte nejvhodnější konfiguraci.
- Podívejte se do uživatelského manuálu ke hře nebo podívejte pro další informace na internet.

- Různá témata nápovědi a tipy (nezahrnuté v této příručce), seznam kompatibilních her atd. jsou dostupné na webových stránkách <https://support.thrustmaster.com>. Klikněte na Racing Wheels / TH8A Shifter.

- Na Xbox One/Xbox Series, pro zajištění kompatibility vašeho závodního volantu Thrustmaster pro Xbox One/Xbox Series s řadící pákou TH8A, může být zapotřebí aktualizovat firmware závodního volantu na nejnovější dostupnou verzi prostřednictvím PC: <https://support.thrustmaster.com>. Klikněte na Racing Wheels / TH8A Shifter, a pak vyberte Firmware.

## **SPOTŘEBITELSKÉ INFORMACE O ZÁRUČE**

Celosvětově, Guillemot Corporation S.A., jejíž sídlo se nachází na Place du Granier, B.P. 97143, 35571 Chantepie, France (dále jen "Guillemot") zaručuje spotřebiteli, že tento výrobek od Thrustmasteru bude bez závad materiálu a zpracování, po dobu záruční doby od okamžiku převzetí výrobku ve shodě s ohledem na tento výrobek. V zemích Evropské Unie, tato doba odpovídá dvěma (2) letům od dodání výrobku Thrustmaster. V ostatních zemích, záruční doba odpovídá časovému intervalu od převzetí výrobku Thrustmaster v souladu s platnými zákony země, ve které měl spotřebitel trvalý pobyt ke dni nákupu výrobku Thrustmaster (pokud žádné takové opatření v příslušné zemi neexistuje, záruční doba bude jeden (1) rok od data nákupu výrobku Thrustmaster).

Bez ohledu na výše uvedené podmínky, je záruční doba na dobíjecí baterie omezena na dobu šesti (6) měsíců od původního datumu nákupu.

Pokud se u výrobku během záruční doby objeví závada, neprodleně kontaktujte Technickou podporu, kde vám naznačí postup, jak záruku uplatnit. Pokud bude závada uznána, výrobek musí být vrácen prodávajícímu, kde byl zakoupen (nebo na jiné místo, které určí Technická podpora).

V rámci této záruky, bude vadný výrobek podle Technické podpory buď vyměněn nebo uveden do funkčního stavu. Pokud bude během záruční doby výrobek Thrustmasteru opravován, bude záruční doba o dobu, kdy nebylo možné výrobek používat prodloužena, nejméně alespoň o sedm (7) dní (tato doba začíná datem, kdy zákazník požádal o vyřízení reklamace nebo od data, kdy dotýčný produkt byl k dispozici pro opravu, pokud datum předání výrobku k opravě je po datu žádosti o vyřízení reklamace). Pokud to umožňují platné zákony, je plná odpovědnost společnosti Guillemot a jejích dceřiných společností (včetně následných škod) omezena na navrácení produktu do provozuschopného stavu nebo na výměnu výrobku Thrustmaster. Pokud to umožňují platné zákony, Guillemot se zříká všech záruk obchodovatelnosti nebo vhodnosti pro určitý účel.

Tato záruka se nevztahuje na: (1) pokud byl výrobek modifikován, otevřen, změněn nebo utrpěl poškození v důsledku nevhodného nebo nesprávného používání, nedbalosti, nehody, běžného opotřebení, nebo jakékoliv jiné příčiny, nesouvisející s vadou materiálu nebo zpracování (včetně, ale ne pouze, při kombinaci výrobku Thrustmaster s jakýmkoliv nevhodným prvkem, včetně zejména napájecích adaptérů, nabíjecích baterií, nabíječky, nebo jiných prvků, které nebyly k tomuto výrobku dodány společností Guillemot); (2) pokud byl výrobek používán pro jiné účely než domácí použití, včetně profesionálních a komerčních účelů (např. v hernách, při tréninku, při závodech); (3) v případě nedodržení pokynů poskytovaných Technickou podporou; (4) software, na zmíněný software je poskytována zvláštní záruka; (5) spotřební materiál (prvky, které mohou být vyměněny v průběhu životnosti produktu: baterie na jedno použití, náhlavní sluchátkové soupravy nebo např. náušníky sluchátek); (6) příslušenství (například kabely, pouzdra, brašny, zápeční řemínky); (7) pokud byl výrobek prodán ve veřejné aukci.

Tato záruka je nepřenositelná.

Zákonná práva spotřebitele vzhledem k platným zákonům vztahujícím se na prodej spotřebního zboží v jeho nebo její zemi nejsou touto zárukou ovlivněny.

## Další ustanovení o záruce

V průběhu záruční doby, Guillemot zásadně nedodává žádné náhradní díly, neboť Technická podpora je jedinou stranou autorizovanou k demontáži a opravě jakéhokoliv produktu Thrustmaster (s výjimkou jakékoliv opravy, o kterou zákazníka požádá Technická podpora prostřednictvím písemných pokynů, například z důvodu jednoduchosti a neutajovaného postupu opravy a poskytnutím požadovaných náhradních dílů, jsou-li použitelné).

Vzhledem ke svému inovačnímu cyklu a s cílem ochrany know-how a obchodního tajemství, nesmí Guillemot zásadně poskytovat jakékoli vyrozumění o opravách nebo náhradních dílech jakéhokoliv výrobku Thrustmaster, jehož záruční doba již vypršela.

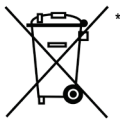
## Odpovědnost

Pokud to povolují příslušné zákony, Guillemot Corporation S.A. (dále jen "Guillemot") a její dceřiné společnosti se zřikají veškeré odpovědnosti za škody způsobené jedním nebo více následujícími body: (1) výrobek byl modifikován, otevřen nebo pozměněn; (2) nedodržení návodu k montáži; (3) nevhodné nebo nesprávné používání, nedbalost, nehoda (například náraz); (4) běžné opotřebení; (5) použití výrobku pro jakékoli jiné než domácí použití, včetně profesionálního nebo komerčního použití (například v hernách, pro výcvik, při soutěžích). Pokud to povolují příslušné zákony, Guillemot a její dceřiné společnosti se zřikají veškeré odpovědnosti za jakékoli škody, které nesouvisí s použitými materiály nebo výrobní vadou příslušného výrobku (včetně, ale nikoliv výhradně, veškerých škod způsobených přímo nebo nepřímo softwarem, nebo kombinací výrobku Thrustmaster s jakýmkoliv nevhodným prvkem včetně zejména napájecími zdroji, dobíjecími bateriemi, nabíječkami nebo jakýmkoliv jinými prvky, které nebyly společností Guillemot k tomuto výrobku dodány).

## COPYRIGHT

© 2021 Guillemot Corporation S.A. Všechna práva vyhrazena. Thrustmaster® je registrovaná obchodní známka společnosti Guillemot Corporation S.A. PlayStation® je registrovaná obchodní známka společnosti Sony Interactive Entertainment Inc. Microsoft® je registrovaná obchodní známka společnosti Microsoft Corporation ve Spojených státech a v dalších zemích. Všechny ostatní obchodní známky jsou ve vlastnictví příslušných vlastníků. Vyobrazení nejsou závazná. Obsah, design a specifikace mohou být bez předchozího upozornění změněny a v jednotlivých zemích se mohou lišit. Vyrobeno v Číně.

## DOPORUČENÁ OCHRANA ŽIVOTNÍHO PROSTŘEDÍ



V zemích Evropské unie: Na konci životnosti by tento výrobek neměl být vhozen do standardního směsného odpadu, ale odevzdán do sběrného dvoru na recyklaci elektrických a elektronických zařízení.

Toto je potvrzeno symbolem, který je na výrobku, v uživatelském manuálu nebo na obalu.

V závislosti na charakteristice materiálů, mohou být tyto recyklovány. Recyklaci a dalšími formami zpracování odpadních elektrických a elektronických zařízení můžete významným způsobem přispět k ochraně životního prostředí.

Pro informace o nejbližším sběrném dvoru se obraťte na místní úřad.

Pro všechny ostatní země: Dodržujte prosím místní předpisy týkající se recyklace elektrických a elektronických zařízení.

Tyto informace si uchovejte. Barvy a dekorace se mohou lišit.

Před použitím by měly být z výrobku odstraněny plastové spojovací lepicí materiály.

[www.thrustmaster.com](http://www.thrustmaster.com)

*\*Platné pouze pro EU, Spojené království a Turecko*



**THRUSTMASTER®**

**TECHNICKÁ PODPORA**

<https://support.thrustmaster.com>







## UYARI

Ürünü kullanmadan önce bu kullanma kılavuzunu dikkatle okuyun. Gelecekte başvuru için bu kılavuzu saklayın.



### **Uyarı – Elektrik çarpması**

- \* Bu ürünü kuru bir yerde saklayın ve toz veya güneş ışığına maruz bırakmayın.
- \* Bağlantı uçlarının takılma yönüne dikkat edin.
- \* Bağlantı uçlarını ve kabloları çekmeyin ve bükmeyin.
- \* Ürüne veya bağlantı ucuna sıvı temasından kaçının.
- \* Ürüne kısa devre yaptırmayın.
- \* Ürünü (bu kılavuzda belirtilen ayarlamalar dışında) sökmeyin. Ürünü yakmaya teşebbüs etmeyin ve ürünü yüksek sıcaklık derecelerine maruz bırakmayın.



### **Uyarı – Mükerrer hareketlerden kaynaklanan tıbbi sorunlar**

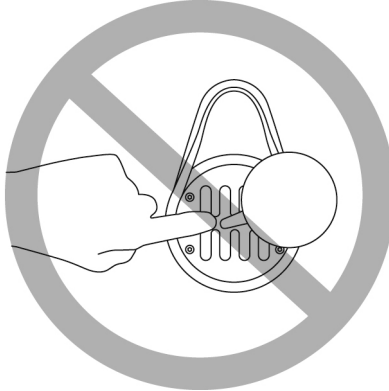
- Vites kolu kullanarak oyun oynamak kas ve eklem ağrılarına neden olabilir. Sorun yaşamamak için;
- \* Uzun süre aralıksız oyun oynamaktan kaçının.
  - \* Saatte bir 10 ila 15 dakikalık aralar verin.
  - \* El, bilek veya kollarınızda ağrı veya yorgunluk hissetmeniz halinde oyuna son vererek tekrar başlamadan önce birkaç saat dinlenin.
  - \* Yukarıda belirtilen belirti veya ağrıların oyuna geri döndüğünüzde devam etmesi halinde oyunu bırakın ve doktorunuza başvurun.
  - \* Vites kolunun bu kılavuzdaki talimatlara göre yerine düzgün bir biçimde monte edilmiş olduğundan emin olun.



### **Uyarı – Vites tablasının boşluklarında sıkışma riski**

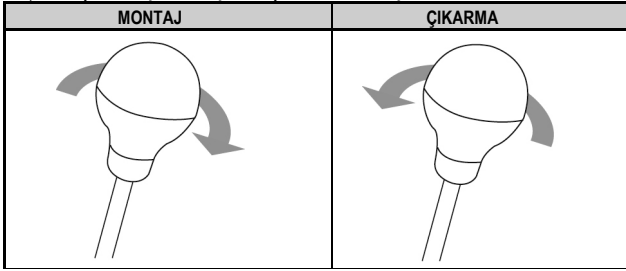
- \* Çocukların erişemeyeceği yerlerde bulundurun.
- \* Oyun oynarken parmaklarınızı (ya da vücudunuzun bir başka kısmını) vites tablasının boşluklarına koymayın.

**ASLA**



## VİTES TOPUZUNUN TAKILMASI

1. Vites topuzunu (A) kola (B) vidalamak için vites topuzunu saat yönünde çevirin.
2. Vites topuzunu yerinden çıkarmak için saat yönünün tersinde çevirin.



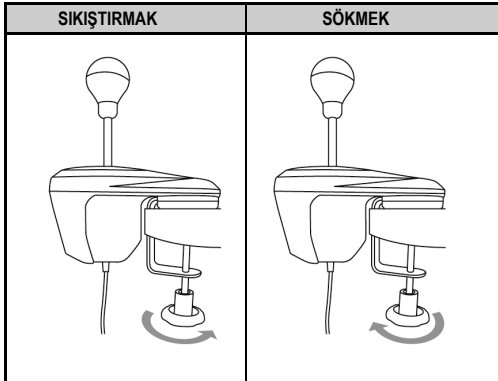
## VİTES KOLUNU YERİNE MONTE ETMEK

Montaj sistemi her türlü destek zemini için optimize edilmiştir:

- Kalınlığı 1 ila 55 mm arasında olan **masa, banko** veya **raflara** mengene sistemi (H) yoluyla.
- **Kokpitlere** vites kolu üzerindeki "vida yuvaları" yoluyla (mengene sistemi yerinden çıkarılabilir).

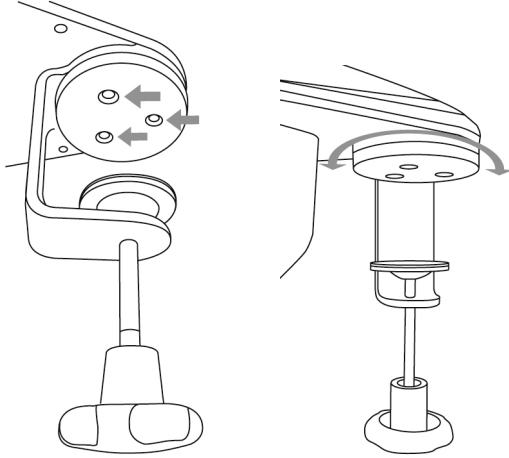
### Vites kolunun bir masa veya bankoya montajı

1. Vites kolunun burun kısmını masa veya başka bir düz yüzeyin üzerine yerleştirin.
2. Sıkıştırmak için mengene burgusunu saat yönünün tersine çevirin.
3. Sökme için mengene burgusunu saat yönünde çevirin.

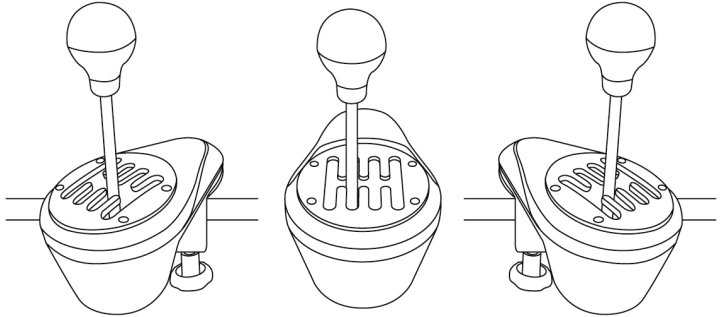


## Burgu sistemini konumlandırıp döndürmek (360° ayarlama açısı)

1. Ürünle birlikte verilen 2,5 mm alyan anahtarını (E) kullanarak mengene sistemini (H) yerinde tutan 3 vidayı hafifçe gevşetin.  
Artık mengene sistemi (ve onunla birlikte tüm vites kolu) 360° açıyla döndürülebilir.

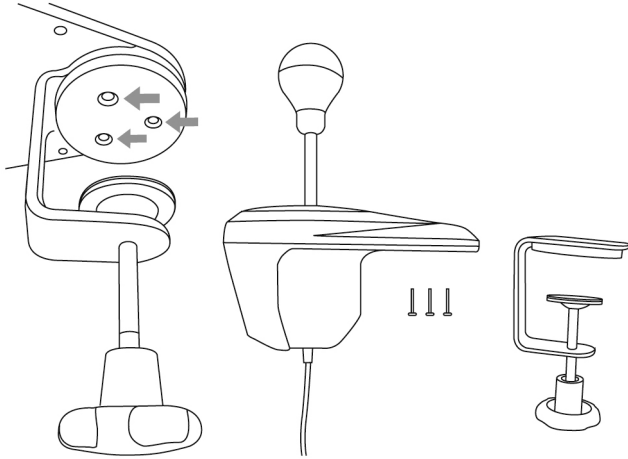


2. 360° dönme açısı içerisinde size uygun olan konumu seçin. (Aşağıda 3 örnek gösterilmiştir. Başka açıların kullanılması da mümkündür).  
Akabinde mengene sistemini tutan 3 vidayı tekrar sıkın.

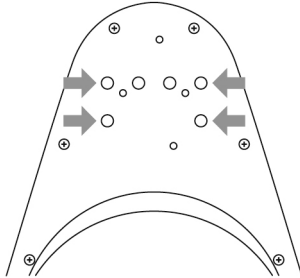


## Vites kolunun kokpite yerleştirilmesi

1. Ürünün yanında verilen 2,5 mm alyan anahtarını (**E**) kullanarak mengene sistemini (**H**) tutan 3 vidayı **tümüyle çıkarın**. Mengene sistemini vites kolundan ayırın.



2. Mengene sistemi yerinden çıkarıldıktan sonra kokpit rafına ve vites kolunun burun kısmının altında yer alan 4 küçük "vida yuvasından" 2 tanesine (**I**) 2 adet "M6" vidası (ayrıca temin edilmelidir) vidalayın.

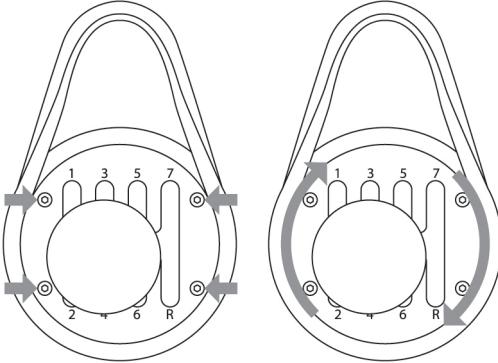


**Fazla uzun "M6" vidaları kullanmamaya özen gösterin Bunlar vites kolunun burun kısmının üst kesimini delip zarar verebilirler.**

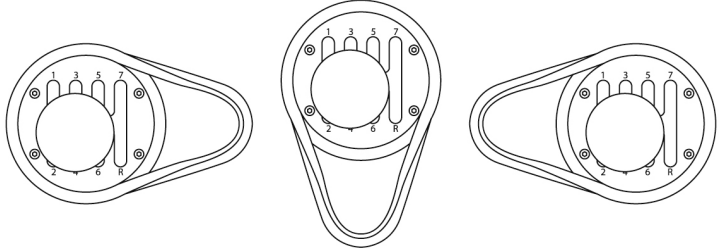
**Kokpitler için vites montaj şablonu** <https://support.thrustmaster.com> adresinde mevcuttur (Racing Wheels / TH8A Shifter'a tıklayın, ardından Manual'ı seçin).

## VİTES TABLASINI KONUMLANDIRIP DÖNDÜRMEK (360° AYARLAMA AÇISI)

1. Ürünün yanında verilen 2,5 mm alyan anahtarını (E) kullanarak vites tablasını (C veya D) tutan 4 vidayı hafifçe gevşetin. Artık vites tablasını 360° açı içerisinde döndürebilirsiniz.



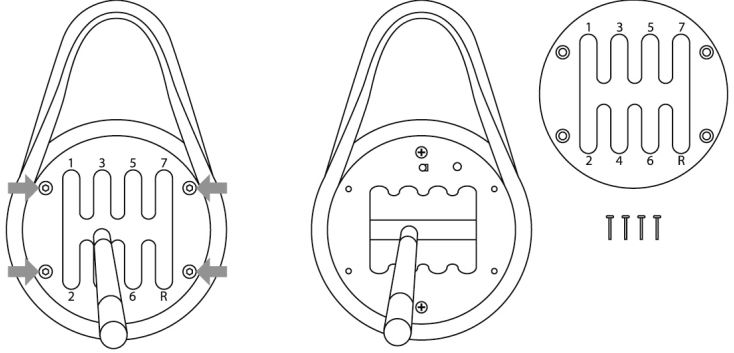
2. 360° dönme açısı içerisinde size uygun olan konumu seçin. (Aşağıda 3 örnek gösterilmiştir. Başka açıların kullanılması da mümkündür).



3. Akabinde vites tablasını yerine sabitleyen 4 vidayı tekrar sıkın.

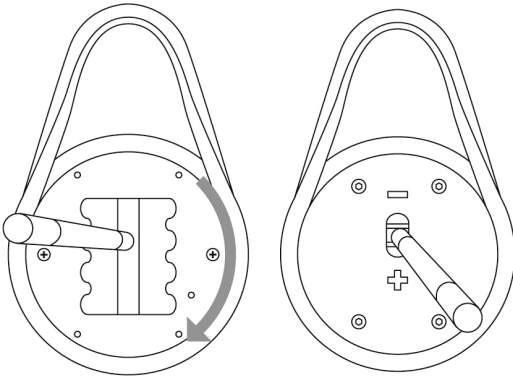
## “H-ŞEKİLLİ (7+1)” VİTES TABLASINDAN “SIRALI (+/-)” VİTES TABLASINA GEÇİŞ

1. Vites topuzunu (A) (saat yönünün tersine çevirerek) yerinden çıkarın.
2. Ürünün yanında verilen 2,5 mm alyan anahtarını (E) kullanarak “H-Şekilli (7+1)” vites tablasını sabitleyen 4 vidayı **tümüyle çıkarın**. Vites tablasını yerinden kaldırın.

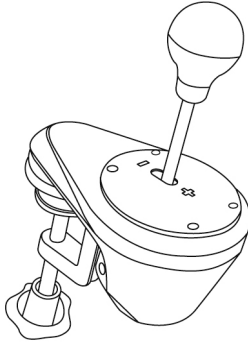


**Bu işlem sırasında vidaların mekanizmanın iç kısmına düşmemesine dikkat edin.**

3. Mekanizmayı sağa (saat yönünde) 90° derece döndürün.  
Ardından “Sıralı (+/-)” vites tablasını yerine yerleştirin.

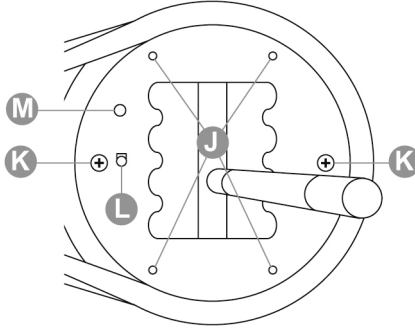


4. Ürünün yanında verilen 2,5 mm alyan anahtarını **(E)** kullanarak "Sıralı (+/-)" vites tablasını sabitleyen 4 vidayı tümüyle sıkın. Vites topuzunu tekrar yerine takın (saat yönünde çevirin).



**"H Şekilli (7+1)" vites tablasını tekrar takmak için bu işlemi tersine uygulayın.**

## İç mekanizmanın üst kapağı hakkında:



**J:** Vites tablalarını (**C veya D**) sabitlemek için 4 "vida yuvası".

**K:** İç mekanizmayı yerinde tutan 2 vida (bunları çıkarmayın).

**L:** Kullanılan vites tablasını (**C veya D**) otomatik olarak tespit etmeye yarayan düğme. "Sıralı (+/-)" vites tablası takılı olduğunda bu düğmeye **otomatik** olarak basılır. Takılı vites tablasının tespiti konusunda sorun yaşamamak için bu alanın temiz kalmasına dikkat edin.

**M:** Vites tablalarının konumlandırılmasını kolaylaştıran kılavuz.

EN

FR

DE

NL

IT

ES

PT

RU

CS

TR

PL

日本語

繁體中文

한국어

العربية



## VİTES DİRENCİNİN AYARLANMASI

- \* Yalnız "H-Şekilli (7+1)" vites tablası için söz konusudur.
- \* Herhangi bir ayarlama yapılmadan önce "H-Şekilli (7+1)" vites tablası **mutlaka** orijinal konumunda takılı olmalıdır (aşağıdaki şekle bakınız).



1. Geniş ağızlı bir düz tomavida kullanarak vites kolu muhafazasının solunda yer alan iç germe vidasının (G) iç gerilimini ayarlayın.
2. Direnci bir miktar artırmak için vidayı saat yönünde çevirin.
3. Direnci bir miktar azaltmak için vidayı saat yönünün tersine çevirin.



**2 tam tur azami dirençten asgari dirence geçiş için yeterlidir.**



**Sistemin zarar görmesini engellemek için:**

- Dönüş zorlaşınca vidayı sıkmayı bırakın.
- Vites kolu fazlasıyla gevşeyince vidayı gevşetmeyi bırakın.

# OYUN KONSOLLARI İÇİN KURULUM TALİMATLARI

## PLAYSTATION®4/PLAYSTATION®5

**PS4™/PS5™ oyununa veya kullandığınız yarış direksiyonuna göre:**

**PS4™ = (\*) TH8A vitesi doğrudan PS4™'ün USB portuna bağlayın**

- TH8A vitesin DIN konektörünü DIN / USB kabloşuna bağlayın.
- TH8A vitesi PS4™'ün USB portlarından birine bağlayın.
- Oyunu başlatın.

**TH8A vites bundan sonra H-ŞEKİLLİ (7+1) veya SIRALI (+/-) vites tablosuyla kullanılabilir.**

**Veya**

**PS4™/PS5™ = (\*) TH8A vitesi doğrudan Thrustmaster yarış direksiyonunun tabanına bağlayın**

(sadece Thrustmaster yarış direksiyonu dahili vites konektörü içeriyorsa geçerlidir)

- TH8A vitesin DIN konektörünü DIN / DIN ayrılabilir kabloya bağlayın.
- TH8A vitesi, yarış direksiyonu tabanının arka kısmında bulunan vites konektörüne bağlayın.
- Yarış direksiyonunuzu bağlayın ve oyunu başlatın.

**TH8A vites bundan sonra H-ŞEKİLLİ (7+1) veya SIRALI (+/-) vites tablosuyla kullanılabilir.**

**(\*) PS4™/PS5™ sistemi için önemli öneriler** (sadece dahili vites konektörü içeren Thrustmaster yarış direksiyonu için geçerlidir)

- **PS4™/PS5™: TH8A vitesin SIRALI vites tablasını kullanırken ayrılabilir DIN / DIN kabloşunu kullanarak vitesi yarış direksiyonunun arka kısmına da bağlayabilirsiniz.** TH8A vites ardından yarış direksiyonunun UP (= R1) ve DOWN (= L1) direksiyondan kumandalı vitesine bağlanın. Bu yarış direksiyonu ile TH8A vitesin SIRALI (+/-) vites tablası, yarış direksiyonu ile uyumlu PS4™ yarış oyunlarının tamamı ile çalışır.

- **PS4™** :Bazı oyunlar aynı anda iki TH8A vites kullanmanıza izin verirler:

- PS4™'ün USB portuna bağlı, H-ŞEKİLLİ (7+1) vites tablası bir TH8A vites
- + Yarış direksiyonunu arka kısmına bağlı, SIRALI (+/-) vites tablası bir TH8A vites

**\* TH8A ile uyumlu PS4™/PS5™ oyunları listesi ve ilgili bağlantı talimatları için (\*)**

(oyunlara göre değişir) bakınız:

<https://support.thrustmaster.com> (Racing Wheels / TH8A Shifter'a tıklayın, ardından Games settings'ı seçin). Bu liste düzenli olarak güncellenir.

**\* PS4™ sistemlerinde yarış direksiyonunu veya TH8A vitesi bağlarken USB hub kullanmamanız önerilir; aygıtı doğrudan PS4™'ün USB portlarına bağlayın.**

**\* Düzgün çalışması için bazı oyunlar TH8A vitesin en son güncellemelerini yüklemenizi gerektirir (oyun konsolunuzun internete bağlı olması gerekir).**

## XBOX ONE/XBOX SERIES

= Tüm Xbox One/Xbox Series oyunlarında daima TH8A vitesi doğrudan Thrustmaster yarış direksiyonunun tabanına bağlayın (ASLA oyun konsolunun USB portuna bağlamayın).

- TH8A vitesin DIN konektörünü DIN / DIN ayrılabilir kabloya bağlayın.

- TH8A vitesi, yarış direksiyonu tabanının arka kısmında bulunan vites konektörüne bağlayın. - Yarış direksiyonunuzu bağlayın ve oyunu başlatın.

TH8A vites bundan sonra H-ŞEKİLLİ (7+1) veya SIRALI (+/-) vites tablosuyla kullanılabilir.

### **Xbox One/Xbox Series ile ilgili önemli not:**

TH8A vitesin SIRALI (+/-) vites tablasını kullanırken vites, yarış direksiyonunun UP (= RB) ve DOWN (= LB) direksiyondan kumandalı vitesine bağlanır.

TH8A vitesin SIRALI (+/-) vites tablasını kullanırken TH8A vites, Xbox One/Xbox Series için olan Thrustmaster yarış direksiyonu ile uyumlu Xbox One/Xbox Series yarış oyunlarının tamamı ile çalışır.

\* TH8A vites ile uyumlu Xbox One/Xbox Series oyunlarının listesi için:

<https://support.thrustmaster.com> (Racing Wheels / TH8A Shifter'a tıklayın, ardından Games settings'ı seçin). Bu liste düzenli olarak güncellenir.

\* Düzgün çalışması için bazı oyunlar TH8A vitesin en son güncellemelerini yüklemenizi gerektirir (oyun konsolunuzun internete bağlı olması gerekir).



Xbox One/Xbox Series için Thrustmaster yarış direksiyonunu TH8A vites ile uyumluluğunu sağlamak için yarış direksiyonunun donanım yazılımını PC üzerinden, şu adresten güncelleniz gerekebilir: <https://support.thrustmaster.com> (Racing Wheels / TH8A Shifter'a tıklayın, ardından Firmware'ı seçin).

## PC İÇİN KURULUM TALİMATLARI

### = Tüm PC oyunlarında(\*), daima TH8A vitesi doğrudan PC'nin USB portlarından birine bağlayın.

- TH8A vitesin DIN konektörünü DIN / USB kablosuna bağlayın.
- TH8A vitesi PC'nin USB portlarından birine bağlayın.
- Bir PC'ye bağlandığında TH8A vites Tak ve Kullan bir aygıt gibi işlev görür ve otomatik olarak algılanarak yüklenir.
- Aygıt, Windows® Denetim Masasında 'T500 RS Gear Shift' şeklinde gözüktür.
- Aygıt özelliklerini test etmek ve görmek için Özellikler'e tıklayın.
- Oyunu başlatın.

**Artık yarışmaya hazırsınız!**

### (\* **PC'ler için önemli öneriler** (sadece dahili vites konektörü içeren Thrustmaster yarış direksiyonu için geçerlidir)

- TH8A vitesin SIRALI vites tablasını kullanırken ayrılabilir DIN / DIN kablosunu kullanarak vitesi yarış direksiyonunun arka kısmına da bağlayabilirsiniz. TH8A vites ardından yarış direksiyonunun UP (= 2) ve DOWN (= 1) direksiyondan kumandalı vitesine bağlanır.
- Bu yarış direksiyonu ile TH8A vitesin SIRALI (+ /-) vites tablası, yarış direksiyonu ile uyumlu PC yarış oyunlarının tamamı ile çalışır.

- Bazı oyunlar aynı anda iki TH8A vites kullanmanıza izin verirler:

PC'nin USB portuna bağlı, H-ŞEKİLLİ (7+1) vites tablalı bir TH8A vites

+ Yarış direksiyonunu arka kısmına bağlı, SIRALI (+/-) vites tablalı bir TH8A vites

\* PC'lerde Thrustmaster vites kolu aşağıdakilerle uyumludur:

- MULTI-USB ve vites kolları destekleyen tüm oyunlar.
- Piyasadaki tüm direksiyon sistemleri.

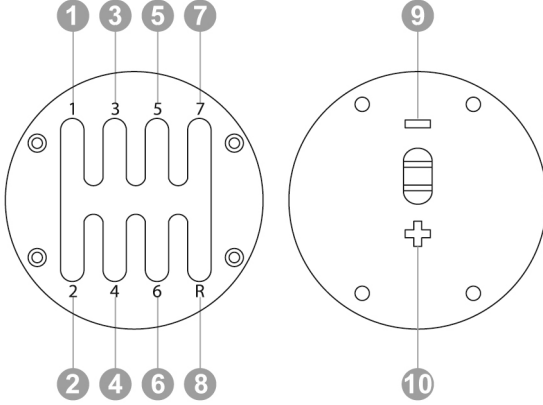
\* Yarış direksiyonunu ve TH8A vitesi doğrudan PC'nin USB 2.0 (USB 3.0 değil) portlarına, hub kullanmadan bağlamanız önerilir.

\* Bazı PC oyunları için Thrustmaster vites kolunun düzgün çalışması için en son çıkan oyun güncellemesini kurmanız **gerekmektedir**.

\* (Direksiyon ile vites kolu sistemi arasında çakışmaları engellemek için) bazı PC oyunlarında şunları yapmak gerekebilir:

- Direksiyonun vites işlevine oyunda bir karşılık atamamak.
- "Hold button for gear" işlevini etkinleştirmek.

## PC'DE EŞLEŞTİRME



## YAZILIM PAKETİ

<https://support.thrustmaster.com> adresinde (Racing Wheels / TH8A Shifter'a tıklayın, ardından Drivers'ı seçin) bir "yazılım paketi" mevcuttur.

- Yazılım paketini kurduktan sonra;

- \* vites kolunuzun gömülü yazılım sürümünü kontrol edebilir,
- \* (gerektiğinde) gömülü yazılımı en güncel versiyonla güncelleyebilir,
- \* "BOOTLOADER Metodunu" kullanabilir,  
(gömülü yazılımın bozulması halinde vites kolunuzu çalışır hale getirmek için).
- \* PC'de özelleştirilmiş bir Denetim Masası paneline (oyun denetleyicisi) erişebilirsiniz.
- \* PC'de ANALOG modu (el freni) kullanabilirsiniz

## GELİŞMİŞ KALİBRASYON YAZILIMI

TH8A vites kalibrasyonu otomatik olarak yapılır.

PC için gelişmiş kalibrasyon yazılım uygulamasını şu adresten de temin edebilirsiniz: <https://support.thrustmaster.com> (Racing Wheels / TH8A Shifter'a tıklayın, ardından Software'ı seçin). Vites hareketini tercihinize göre ayarlamanızı sağlar.

Ayarlar tamamlandığında bu ayarlar anında dahili vites hafızasına kaydedilirler (ve PS4™/PS5™, Xbox One/Xbox Series ve PC'de kullanılabilirler).

## TH8A VİTESİ ÇEŞİTLİ SİSTEMLERE BAĞLAMAK İÇİN ÖZET TALİMATLAR

	TH8A vitesi bağla
PS4™	<u>Oyun veya yarış direksiyonuna göre (*)</u> : - Ya doğrudan PS4™/PS5™ sistemine (USB) - Ya da yarış direksiyonunun arka kısmına (DIN)
PS5™	Daima yarış direksiyonunun arka kısmına (DIN)
XBOX ONE/XBOX SERIES	Daima yarış direksiyonunun arka kısmına (DIN)
PC	Daima(*) doğrudan PC'ye (USB)

(\*) Tüm istisnalarla ilgili daha fazla bilgi için kılavuzun ilgili sayfalarındaki **Önemli öneriler** kısımlarına bakın.

### UYARI

\* TH8A vitesi, aygıt aynı DIN konektörüne sahip olsa bile Thrustmaster yarış direksiyonu dışında başka bir aygıtla asla bağlamayın. Bu durum, TH8A vitesine veya diğer aygıtla hasar verebilir.

### SORUN GİDERME

\* Vites kolu düzgün çalışmıyor ya da kalibrasyonunda bir sorun var:

- Bilgisayarınızı ya da oyun konsolunuzu kapatın. Vites kolunun bağlantısını çıkarıp tekrar takın. Oyunu tekrar başlatın.

- Oyunun içinde "Options/Controller" kısmında en uygun konfigürasyonu seçin ya da ayarlayın.

- Daha fazla bilgi için oyununuzun kullanma kılavuzuna ya da çevrimiçi yardım menüsüne başvurabilirsiniz.

- Çeşitli yardım konuları ve ipuçları (bu kılavuzda yer almayan), uyumlu oyunların listesi, vb. <https://support.thrustmaster.com> web sitesinde mevcuttur. Racing Wheels / TH8A Shifter'a tıklayın.

- Xbox One/Xbox Series'da, Xbox One/Xbox Series için Thrustmaster yarış direksiyonunu TH8A vitesi ile uyumluluğunu sağlamak için yarış direksiyonunun donanım yazılımını PC üzerinden, şu adresten güncelleme yapabilirsiniz: <https://support.thrustmaster.com> Racing Wheels / TH8A Shifter'a tıklayın, ardından Firmware'i seçin).

## TÜKETİCİ GARANTİ BİLGİSİ

İşbu Thrustmaster ürünü, malzeme ve işçilik hatalarına karşı, müşterinin kusurlu ürünün ücretinin iade edilmesi veya değiştirilmesi talebinde bulunabileceği süreye karşılık gelen garanti süresince dünya çapında tescil edilmiş merkezi Place du Granier, B.P. 97143, 35571 Chantepie, Fransa'da bulunan Guillemot Corporation S.A. (bundan sonra "Guillemot" olarak ifade edilecektir) garantisini altındadır. Avrupa Birliği ülkelerinde bu süre, Thrustmaster ürününün tesliminden itibaren iki (2) seneye karşılık gelir. Diğer ülkelerde garanti süresi, Thrustmaster ürünü ile ilgili olarak, Thrustmaster ürününün satın alındığı tarihte müşterinin ikamet ettiği ülkede geçerli yasalara uygun şekilde, müşterinin kusurlu ürünün ücretinin iade edilmesi veya değiştirilmesi talebinde bulunabileceği süreye karşılık gelir (İlgili ülkede bu tür bir düzenleme mevcut değilse garanti süresi Thrustmaster ürününün satın alındığı asıl tarihten itibaren bir (1) yıl olacaktır).

Garanti süresi içinde üründe hata veya kusur tespit edilmesi durumunda derhal izlenecek yöntem ile ilgili sızme bilgi verecek olan Teknik Destek servisimize başvurun. Hata veya kusur onaylanırsa ürünün satın alındığı yere (ya da Teknik Destek servisi tarafından belirtilen yere) iade edilmesi gerekmektedir.

İşbu garanti kapsamında müşterinin kusurlu ürünü, Teknik Destek servisinin insiyatfine bağlı olarak, değiştirilecek veya çalışır hale getirilecektir. Garanti süresince Thrustmaster ürününün onarım işlemine tabi tutulması durumunda, ürünün kullanımı dışında olduğu en az yedi (7) günlük tüm süreler kalan garanti süresine eklenecektir (bu süre, ürünün onarılması için hazır bulundurulduğu tarih müdahale edilmesi için talepte bulunduğu tarihi takip ediyor ise müşterinin müdahale edilmesi için talepte bulunduğu tarihten veya bahse konu ürünün onarılması için hazır bulundurulduğu tarihten başlar). Yürürlükte olan yasaların izin verdiği durumlarda, Guillemot ve bağlılarının tüm sorumluluğu (dolaylı hasarlar da dahil olmak üzere) Thrustmaster ürününün çalışır hale getirilmesi veya değiştirilmesi ile sınırlıdır. Yürürlükte olan yasaların izin vermesi halinde Guillemot, ticarete elverişlilik veya belirli bir amaca uygunluk ile ilgili tüm garantileri reddeder.

İşbu garanti aşağıdaki durumlar için geçerli değildir: (1) Ürün modifiye edilmişse, açılmışsa, üzerinde değişiklik yapılmışsa, uygunsuz veya kötü kullanım, ihmal, kaza, normal aşınma ya da malzeme veya üretim hatası ile ilgili olmayan nedenlerden dolayı hasar görmüşse (ancak bununla sınırlı kalmamak üzere, Thrustmaster ürününü herhangi uygun bir elemanla birleştirmek, buna dahil olarak özellikle güç kaynakları, yeniden doldurulabilir piller, şarj cihazları veya bu ürün için Guillemot tarafından tedarik edilmemiş tüm diğer elemanlar); (2) ürün, evde kullanım dışında, profesyonel veya ticari maksatlı olanlar da dahil olmak üzere (örneğin oyun salonları, eğitim, yarışlar) başka maksatlarla kullanılmışsa; (3) Teknik Destek servisi tarafından sağlanan talimatlara uyulmamışsa; (4) yazılım için, işbu garanti geçerli değildir, söz konusu yazılım için sağlanan özel garanti hükümlerine tabidir; (5) sarf malzemeleri için (ürünün kullanım süresi içinde değiştirilecek elemanlar: örneğin; tek kullanımlık piller, kulaklık yastıkları); (6) aksesuarlar için (örneğin; kablolar, kılıflar, cepler, çantalar, bileklikler); (7) ürün açık artırma ile satılmışsa.

Bu garanti devrolunamaz.

Tüketim mallarının tüketicinin ülkesinde satışına ilişkin tüketicinin yasal hakları işbu garantiden etkilenmemektedir.

## Ek garanti hükümleri

Garanti süresince, tüm Thrustmaster ürünlerini açmaya ve/veya onarmaya yetkili tek taraf Teknik Destek Servisi olduğundan prensip olarak Guillemot tarafından hiçbir yedek parça sağlanmayacaktır (Uygulanabilir olması durumunda yazılı talimatlarla ve müşteriye gerekli yedek parça(lar) sağlanarak Teknik Destek Servisinin müşteri tarafından yapılmasını isteyebileceği tüm onarım prosedürleri hariç – örneğin onarım işleminin basit olmasından ve gizlilik içermemesinden dolayı).

İnovasyon döngülerini dikkate almak ve bilgi birikimi ile ticari sırlarını korumak için Guillemot, prensip olarak garanti süresi dolmuş hiç bir Thrustmaster ürünü için onarım bilgisi veya yedek parça sağlamayacaktır.

## Sorumluluk

Yürürlükte olan yasaların izin vermesi halinde, Guillemot Corporation S.A. (bundan sonra "Guillemot" olarak ifade edilecektir) ve bağlıları aşağıdakilerin biri veya daha fazlasından kaynaklanan her türlü hasara karşı tüm sorumluluğu reddeder: (1) Ürün modifiye edilmişse, açılmışsa, üzerinde değişiklik yapılmışsa; (2) montaj talimatlarına uyulmamışsa; (3) uygunsuz veya kötü kullanım, ihmal, kaza (örneğin bir darbe); (4) normal aşınma; (5) ürünün, evde kullanım dışında, profesyonel veya ticari maksatlı olanlar da dahil olmak üzere (örneğin oyun salonları, eğitim, yarışlar) başka maksatlarla kullanılması. Yürürlükte olan yasaların izin vermesi halinde, Guillemot ve bağlıları ürünle ilgili malzeme veya üretim hatası ile ilgili olmayan her türlü hasara karşı tüm sorumluluğu reddeder (ancak bununla sınırlı kalmamak üzere, herhangi bir yazılımdan veya Thrustmaster ürününün herhangi bir uygun olmayan elemanla birleştirilmesinden doğrudan veya dolaylı olarak kaynaklanan tüm hasarlar, buna dahil olarak özellikle güç kaynakları, yeniden doldurulabilir piller, şarj cihazları veya bu ürün için Guillemot tarafından tedarik edilmemiş tüm diğer elemanlar).

EN

FR

DE

NL

IT

ES

PT

RU

CS

TR

PL

日本語

繁體中文

한국어

العربية



## TELİF HAKKI

© 2021 Guillemot Corporation S.A. Tüm hakları saklıdır. Thrustmaster® Guillemot Corporation S.A'nın tescilli markasıdır. PlayStation® Sony Interactive Entertainment Inc'in tescilli markasıdır. Windows® ABD ve/veya diğer ülkelerde, Microsoft Corporation'ın tescilli ticari markasıdır. Diğer tüm ticari markalar kendi sahiplerinin. Resimler bağlayıcı değildir. İçerik, tasarım ve özellikler önceden haber verilmeksizin değiştirilebilir ve bir ülkeden başka bir ülkeye değişiklik gösterebilir. Çin'de yapılmıştır.

## ÇEVRE KORUMA ÖNERİLERİ



Avrupa Birliği'nde: Cihazın kullanım ömrü sona erdiğinde, standart ev atıkları ile atılmamalı, geri dönüşüm için Atık Elektrikli ve Elektronik Cihazların toplandığı bir yere bırakılmalıdır.

Bu, ürünün, kullanım kılavuzunun veya paketin üzerinde bulunan sembol ile onaylanmıştır.

Özelliklerine bağlı olarak malzemeler geri dönüştürülebilir. Atık Elektrik ve Elektronik Cihazların geri dönüşümü veya diğer işleme yöntemleri sayesinde çevrenin korunmasına yönelik önemli bir katkıda bulunabilirsiniz. Size en yakın toplama merkezleri hakkında bilgi almak için lütfen yerel yetkililerle iletişime geçin.

Diğer ülkeler için: Lütfen elektrikli ve elektronik cihazların geri dönüşümü için yerel yasalara uyunuz.

## AEEE Yönetmeliğine Uygunudur.

Bu belgeyi saklayın. Renkler ve süslemeler değişiklik gösterebilir.  
Plastik tutturucular ve bantlar, kullanmadan önce üründen çıkarılmalıdır.

[www.thrustmaster.com](http://www.thrustmaster.com)

*\*Sadece AB, İngiltere ve Türkiye için geçerlidir*



**THRUSTMASTER®**

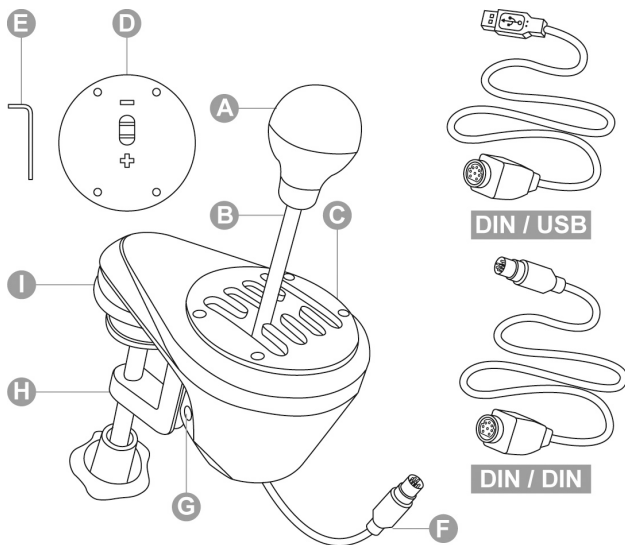
**TEKNİK DESTEK**

<https://support.thrustmaster.com>



## PlayStation®4/PlayStation®5 — Xbox One/Xbox Series — PC

### Instrukcja obsługi



### ELEMENTY

- A** Zdejmowana gałka zmiany biegów  
*(domyślnie niezainstalowana)*
  - B** Drażek
  - C** Regulowana nakładka do zmiany biegów w układzie H (7+1)  
*(domyślnie zainstalowana)*
  - D** Regulowana nakładka do zmiany biegów metodą sekwencyjną (+/-)  
*(domyślnie niezainstalowana)*
  - E** Klucz imbusowy 2,5 mm (w komplecie)
  - F** Kabel ze złączem DIN
  - G** Wewnętrzna śruba naprężająca
  - H** Zacisk regulowany
  - I** Gwintowane otwory do montażu kokpitowego
- DIN / USB** Kabel DIN-USB  
**DIN / DIN** Kabel DIN-DIN

## OSTRZEŻENIE

Zanim rozpoczniesz korzystanie z urządzenia, szczegółowo zapoznaj z niniejszą instrukcją, a następnie zachowaj ją do wglądu.



### **Ostrzeżenie — ryzyko porażenia prądem elektrycznym**

- \* Przechowuj urządzenie w suchym miejscu i nie wystawiaj go na działanie kurzu ani światła słonecznego.
- \* Przestrzegaj właściwego kierunku podłączania złączy.
- \* Nie skręcaj ani nie naciągaj złączy ani kabli.
- \* Nie wylewaj cieczy na urządzenie ani jego złącze.
- \* Nie zwieraj urządzenia.
- \* Nie demontuj urządzenia (poza dopuszczalnymi przypadkami regulacji opisanymi w instrukcji), nie próbuj go palić ani nie narażaj na działanie wysokich temperatur.



### **Ostrzeżenie — ryzyko obrażeń ciała spowodowanych powtarzającymi się ruchami**

Granie przy użyciu skrzyni biegów może doprowadzić do bólu mięśni i stawów. W celu uniknięcia problemów:

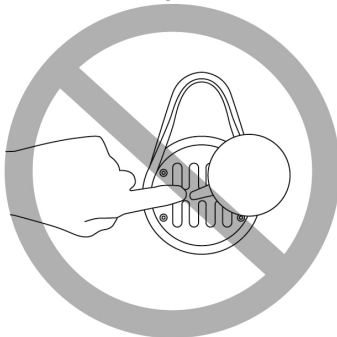
- \* Unikaj grania przez długi czas.
- \* Po każdej godzinie gry rób 10–15 minut przerwy.
- \* Jeśli odczuwasz zmęczenie lub ból dłoni, nadgarstków albo ramion, przerwij grę, a przed jej wznowieniem odpocznij kilka godzin.
- \* Jeśli po wznowieniu gry opisane powyżej objawy lub ból powrócą, przerwij grę i poradź się lekarza.
- \* Sprawdź, czy podstawa skrzyni biegów jest właściwie zamontowana zgodnie ze wskazówkami podanymi w instrukcji.



### **Ostrzeżenie — ryzyko przytrzaśnięcia w otworach nakładki**

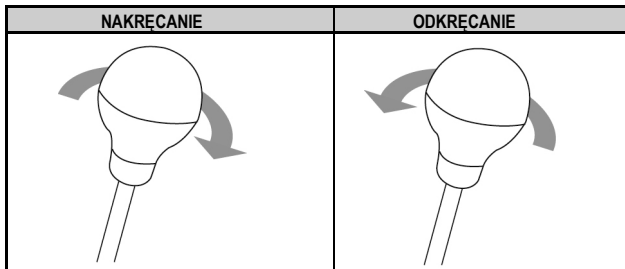
- \* Trzymaj urządzenie z dala od dzieci.
- \* Podczas gry nigdy nie wkładaj palców (ani innych części ciała) w otwory nakładek na skrzynię biegów.

**NIGDY**



## INSTALOWANIE GAŁKI ZMIANY BIEGÓW

1. Aby wkręcić gałkę zmiany biegów (**A**) na drążek (**B**), obracaj gałkę zgodnie z ruchem wskazówek zegara.
2. Aby odkręcić gałkę zmiany biegów, obracaj ją przeciwnie do ruchu wskazówek zegara.



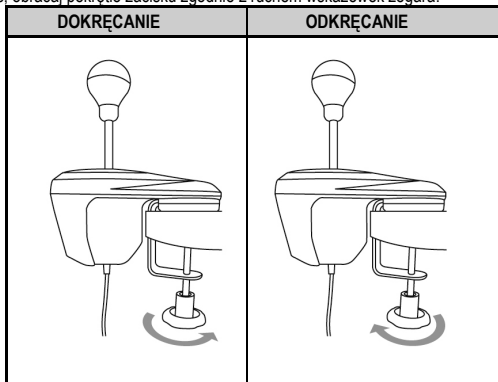
## MONTOWANIE SKRZYNI BIEGÓW

Urządzenie można zamontować na dowolnej podstawie, takiej jak:

- **stół, biurko** lub **półka** o grubości 1–55 mm — przy użyciu zacisku (**H**),
- **kokpit** — przy użyciu fabrycznie gwintowanych otworów (zacisk można zdjąć).

### Montowanie skrzyni biegów na stole lub biurku

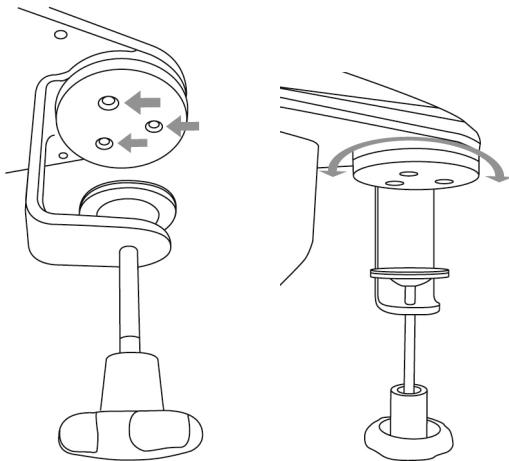
1. Umieść przednią wydłużoną część skrzyni biegów na stole lub innej płaskiej powierzchni.
2. Aby dokręcić, obracaj pokrętkę zacisku przeciwnie do ruchu wskazówek zegara.
3. Aby odkręcić, obracaj pokrętkę zacisku zgodnie z ruchem wskazówek zegara.



## Ustawianie i obracanie zacisku (zakres regulacji — 360°)

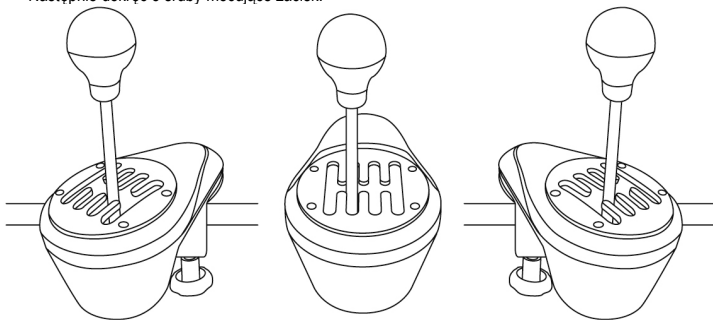
1. Za pomocą dostarczonego klucza imbusowego 2,5 mm (**E**) **bardzo nieznacznie odkręć** 3 śruby mocujące zacisk (**H**).

Zacisk (a przez to również całą skrzynię biegów) można teraz obrócić ręcznie o 360°.



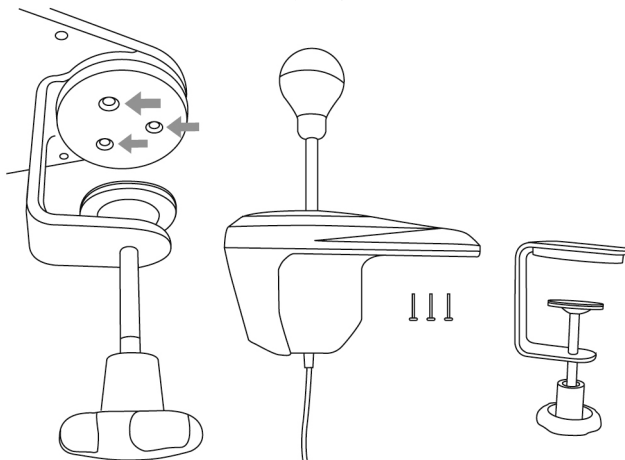
2. Wybierz preferowane położenie w ramach 360-stopniowego zakresu obrotu (poniżej przedstawiono 3 przykłady spośród wielu możliwych położeń).

Następnie dokręć 3 śruby mocujące zacisk.

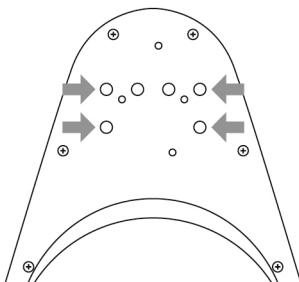


## Montowanie skrzyni biegów w kokpicie

1. Za pomocą dostarczonego klucza imbusowego 2,5 mm (**E**) całkowicie wykręć i wyjmij 3 śruby mocujące zacisk (**H**). Zdejmij zacisk ze skrzyni biegów.



2. Po zdjęciu zacisku wkręć 2 śruby M6 (do nabycia osobno) w półkę kokpitu oraz w dwa z 4 niewielkich gwintowanych otworów (**I**) znajdujących się pod przednią wydłużoną częścią skrzyni biegów.



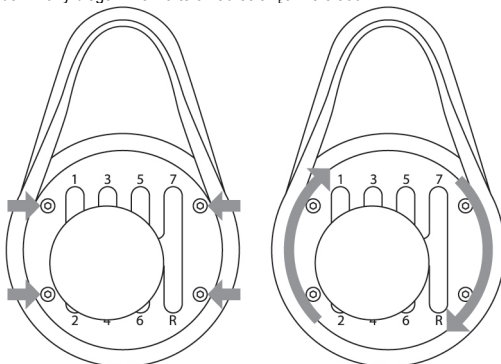
**Nie używaj zbyt długich śrub M6, ponieważ mogą one przebić i uszkodzić górną powierzchnię przedniej części skrzyni biegów.**

Szablon do montażu skrzyni biegów w kokpicie jest dostępny na stronie <https://support.thrustmaster.com> (Kliknij Racing Wheels / TH8A Shifter, a następnie wybierz Manual.).

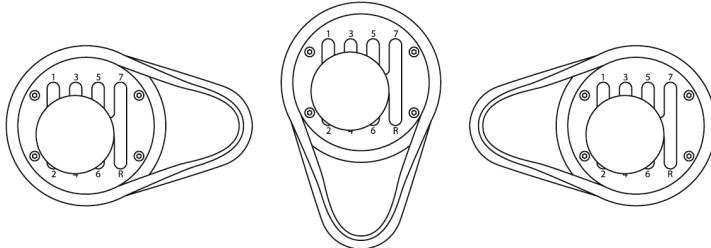
## USTAWIANIE I OBRACANIE ZACISKU (ZAKRES REGULACJI — 360°)

1. Za pomocą dostarczonego klucza imbusowego 2,5 mm (**E**) **nieznacznie odkręć** 4 śruby mocujące nakładkę do zmiany biegów (**C lub D**).

Nakładkę do zmiany biegów można teraz obrócić ręcznie o 360°.



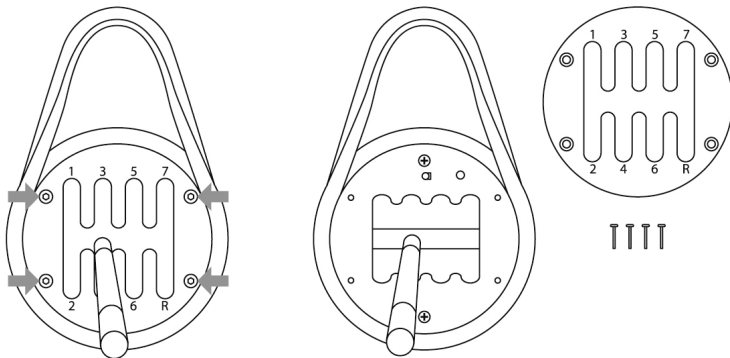
2. Wybierz preferowane położenie w ramach 360-stopniowego zakresu obrotu (poniżej przedstawiono 3 przykłady spośród wielu możliwych położeń).



3. Dokręć 4 śruby mocujące nakładkę do zmiany biegów.

## ZAMIANA NAKŁADKI W UKŁADZIE H (7+1) NA NAKŁADKĘ TYPU SEKWENCYJNEGO (+/-)

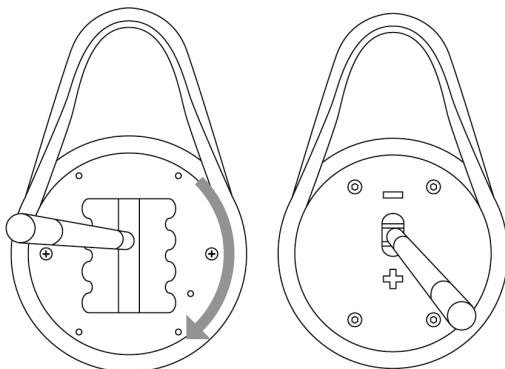
1. Odkręć (przeciwnie do ruchu wskazówek zegara) i zdejmij gałkę zmiany biegów (**A**).
2. Za pomocą dostarczonego klucza imbusowego 2,5 mm (**E**) całkowicie wykręć i wyjmij 4 śruby mocujące nakładkę w układzie H (7+1). Zdejmij nakładkę.



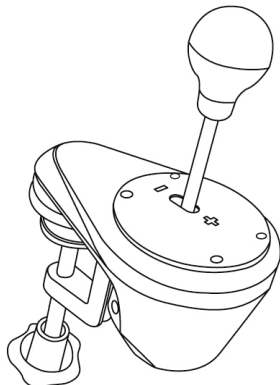
**Podczas wykonywania tych czynności uważaj, aby żadna ze śrub nie wpadła przypadkowo do mechanizmu wewnętrznego.**

3. Ręcznie obróć mechanizm wewnętrzny o 90° w prawo (zgodnie z ruchem wskazówek zegara). Następnie zainstaluj nakładkę typu sekwencyjnego (+/-).



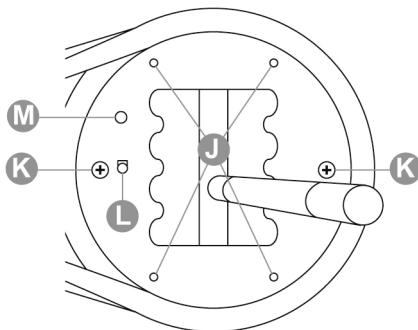


4. Za pomocą dostarczonego klucza imbusowego 2,5 mm (E) włóż i dobrze dokręć 4 śruby mocujące nakładkę typu sekwencyjnego (+/-). Wkręć gałkę zmiany biegów (zgodnie z ruchem wskazówek zegara).



***Aby ponownie założyć nakładkę do zmiany biegów w układzie H (7+1), wykonaj opisaną procedurę w odwrotnej kolejności.***

## Uwagi dotyczące pokrywy mechanizmu wewnętrznego:



**J:** 4 gwintowane otwory umożliwiające montaż nakładek do zmiany biegów (**C lub D**).

**K:** 2 śruby mocujące mechanizm wewnętrzny (nie odkręcać).

**L:** Przycisk, który automatycznie wykrywa rodzaj używanej nakładki do zmiany biegów (**C lub D**).

Wciskany **automatycznie** w przypadku zainstalowania nakładki typu sekwencyjnego (+/-).

Miejsce to należy utrzymywać w czystości, aby uniknąć problemów z wykrywaniem nakładki.

**M:** Otwór ułatwiający ustawianie nakładek do zmiany biegów.

EN

FR

DE

NL

IT

ES

PT

RU

CS

TR

PL

日本語

繁體中文

한국어

العربية

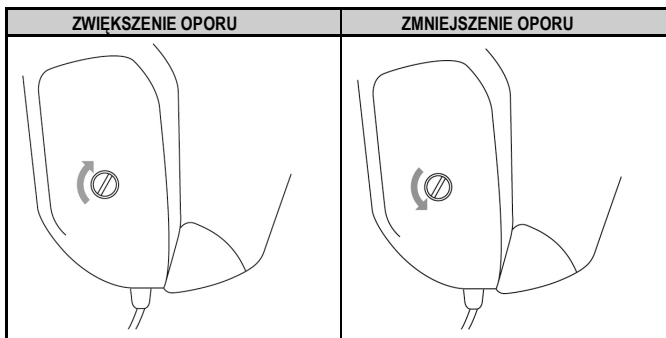
## REGULOWANIE OPORU ZMIANY BIEGÓW

\* Dotyczy tylko nakładki do zmiany biegów w układzie H (7+1).

\* Przed rozpoczęciem jakichkolwiek czynności regulacyjnych nakładka do zmiany biegów w układzie H (7+1) **musi** być zainstalowana w pierwotnym położeniu (zobacz poniższy schemat).



1. Przygotuj duży śrubokręt z płaską końcówką, a następnie włóż końcówkę śrubokrętu w łeb wewnętrznej śruby naprężającej (G) znajdującej się w lewej dolnej części obudowy skrzyni biegów.
2. Aby nieznacznie zwiększyć opór, obróć śrubę zgodnie z ruchem wskazówek zegara.
3. Aby nieznacznie zmniejszyć opór, obróć śrubę przeciwnie do ruchu wskazówek zegara.



*Do przejścia z jednego położenia skrajnego w drugie wystarczą dwa pełne obroty.*



**Aby nie uszkodzić układu:**

- Prześtań dokręcać śrubę, gdy poczujesz silny opór.
- Prześtań odkręcać śrubę, gdy drążek stanie się luźny i zaczniesz się chwiać.

## PLAYSTATION®4/PLAYSTATION®5

W zależności od gry na konsolę PS4™ lub używanej kierownicy:

**PS4™ = Podłącz(\*)** skrzynię biegów TH8A bezpośrednio do portu USB konsoli PS4™/PS5™

- Podłącz złącze DIN skrzyni biegów TH8A do kabla DIN-USB.
- Podłącz skrzynię biegów TH8A do jednego z portów USB konsoli PS4™.
- Uruchom grę.

**Skrzynia biegów TH8A może działać z nakładkami do zmiany biegów w UKŁADZIE H (7+1) lub typu SEKWENCYJNEGO (+/-).**

-lub-

**PS4™/PS5™ = Podłącz(\*)** skrzynię biegów TH8A bezpośrednio do podstawy kierownicy Thrustmaster

(tylko w przypadku kierownicy Thrustmaster z wbudowanym złączem skrzyni biegów)

- Podłącz złącze DIN skrzyni biegów TH8A do kabla DIN-DIN.
- Podłącz skrzynię biegów TH8A do złącza skrzyni znajdującego się z tyłu podstawy kierownicy.
- Podłącz kierownicę, a następnie uruchom grę.

**Skrzynia biegów TH8A może działać z nakładkami do zmiany biegów w UKŁADZIE H (7+1) lub typu SEKWENCYJNEGO (+/-).**

(\*) **Ważne zalecenia dotyczące systemu PS4™/PS5™** (tylko w przypadku korzystania z kierownicy Thrustmaster z wbudowanym złączem skrzyni biegów)

— **PS4™/PS5™:** Jeśli w skrzyni biegów TH8A używana jest nakładka do zmiany biegów typu SEKWENCYJNEGO (+/-), skrzynię można również podłączyć z tyłu kierownicy przy użyciu kabla DIN-DIN. Skrzynia biegów TH8A jest wówczas podłączona do łopatek zmiany biegów UP (= R1) i DOWN (= L1) znajdujących się w kierownicy.

W przypadku tej kierownicy nakładka typu SEKWENCYJNEGO (+/-) skrzyni biegów TH8A współpracuje ze wszystkimi grami wyścigowymi na konsolę PS4™/PS5™, które są zgodne z kierownicą.

— **PS4™:** W niektórych grach **jednocześnie mogą być używane dwie skrzynie biegów TH8A:** Jedna skrzynia TH8A z nakładką do zmiany biegów w UKŁADZIE H (7+1), podłączona do portu USB konsoli PS4™

+ jedna skrzynia TH8A z nakładką do zmiany biegów typu SEKWENCYJNEGO (+/-), podłączona z tyłu kierownicy

\* Lista gier na konsolę PS4™/PS5™ zgodnych ze skrzynią biegów, a także odpowiednie instrukcje podłączania(\*) (która różni się w zależności od gry), są dostępne na poniższej stronie:

<https://support.thrustmaster.com> (kliknij Racing Wheels / TH8A Shifter, a następnie wybierz Games settings). Lista jest regularnie aktualizowana.

\* W przypadku konsoli PS4™ odradzamy korzystanie z koncentratora USB przy podłączaniu kierownicy lub skrzyni biegów TH8A. Urządzenie należy podłączyć bezpośrednio do jednego z portów USB konsoli PS4™.

\* W niektórych grach do prawidłowego działania skrzyni biegów TH8A wymagane jest zainstalowanie najnowszych aktualizacji (konsola do gier musi być połączona z Internetem).

## XBOX ONE/XBOX SERIES

**= We wszystkich grach na konsolę Xbox One/Xbox Series skrzynię biegów TH8A należy zawsze podłączać bezpośrednio do podstawy kierownicy Thrustmaster (NIGDY do portu USB konsoli).**

- Podłącz złącze DIN skrzyni biegów TH8A do kabla DIN-DIN.
- Podłącz skrzynię biegów TH8A do złącza skrzyni znajdującego się z tyłu podstawy kierownicy.
- Podłącz kierownicę, a następnie uruchom grę.

**Skrzynia biegów TH8A może działać z nakładkami do zmiany biegów w UKŁADZIE H (7+1) lub typu SEKWENCYJNEGO (+/-).**

### **Ważna uwaga dotycząca konsoli Xbox One/Xbox Series:**

Jeśli w skrzyni biegów TH8A używana jest nakładka do zmiany biegów typu SEKWENCYJNEGO (+/-), skrzynia jest wówczas podłączona do łopatek zmiany biegów UP (= RB) i DOWN (= LB) znajdujących się w kierownicy.

Jeśli w skrzyni biegów TH8A używana jest nakładka do zmiany biegów typu SEKWENCYJNEGO (+/-), skrzynia współpracuje ze wszystkimi grami wyścigowymi na konsolę Xbox One/Xbox Series, które są zgodne z kierownicą Thrustmaster dla konsoli Xbox One/Xbox Series.

\* Lista gier na konsolę Xbox One/Xbox Series zgodnych ze skrzynią biegów TH8A jest dostępna na poniższej stronie:

<https://support.thrustmaster.com> (kliknij Racing Wheels / TH8A Shifter, a następnie wybierz Games settings). Lista jest regularnie aktualizowana.

\* W niektórych grach do prawidłowego działania skrzyni biegów TH8A wymagane jest zainstalowanie najnowszych aktualizacji (konsola do gier musi być połączona z Internetem).



**W celu zapewnienia zgodności kierownicy Thrustmaster dla konsoli Xbox One/Xbox Series ze skrzynią biegów TH8A może być wymagana aktualizacja oprogramowania sprzętowego kierownicy. Dostęp do jego najnowszej wersji można uzyskać przy użyciu komputera na następującej stronie: <https://support.thrustmaster.com> (kliknij Racing Wheels / TH8A Shifter, a następnie wybierz Firmware).**

= We wszystkich grach na komputer PC (\*) skrzynię biegów TH8A należy zawsze podłączać bezpośrednio do jednego z portów USB komputera.

- Podłącz złącze DIN skrzyni biegów TH8A do kabla DIN-USB.
- Podłącz skrzynię biegów TH8A do jednego z portów USB komputera.
- Po podłączeniu do komputera PC skrzynia biegów TH8A jest urządzeniem Plug & Play, które komputer wykrywa i instaluje automatycznie.
- W Panelu sterowania systemu Windows® urządzenie jest wyświetlane jako „T500 RS Gear Shift”.
- Aby wyświetlić i przetestować funkcje urządzenia, kliknij Właściwości.
- Uruchoom grę.

**Teraz możesz zacząć wyścigi!**

(\*) **Ważne zalecenia dotyczące komputera PC** (tylko w przypadku korzystania z kierownicy Thrustmaster z wbudowanym złączem skrzyni biegów)

— Jeśli w skrzyni biegów TH8A używana jest nakładka do zmiany biegów typu SEKWENCYJNEGO (+/-), skrzynię można również podłączyć z tyłu kierownicy przy użyciu kabla DIN-DIN. Skrzynia biegów TH8A jest wówczas podłączona do łopatek zmiany biegów UP (= 2) i DOWN (= 1) znajdujących się w kierownicy.

W przypadku tej kierownicy nakładka typu SEKWENCYJNEGO (+/-) skrzyni biegów TH8A współpracuje ze wszystkimi grami wyścigowymi na komputer PC, które są zgodne z kierownicą.

— W niektórych grach **jednocześnie mogą być używane dwie skrzynie biegów TH8A:**

- Jedna skrzynia TH8A z nakładką do zmiany biegów w UKŁADZIE H (7+1), podłączona do portu USB komputera
- + jedna skrzynia TH8A z nakładką do zmiany biegów typu SEKWENCYJNEGO (+/-), podłączona z tyłu kierownicy

\* W przypadku komputera PC skrzynia biegów Thrustmaster jest zgodna z:

- wszystkimi grami obsługującymi funkcję MULTI-USB i skrzynie biegów,
- wszystkimi kierownicami dostępnymi na rynku.

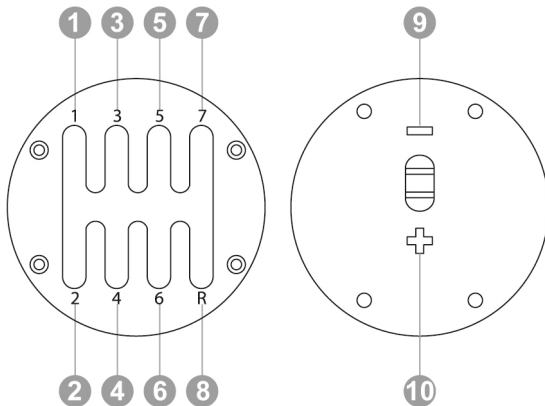
\* Zalecamy podłączanie kierownicy i skrzyni biegów TH8A bezpośrednio do portów USB 2.0 (nie USB 3.0) w komputerze, bez korzystania z koncentratora.

\* W przypadku niektórych gier na komputer PC **należy koniecznie** zainstalować najnowsze aktualizacje gry, aby umożliwić prawidłowe działanie skrzyni biegów Thrustmaster.

\* W niektórych grach na komputer PC (w celu uniknięcia konfliktów między kierownicą i skrzynią biegów) konieczne może być:

- nieprzypisywanie żadnych funkcji do łopatek zmiany biegów w kierownicy,
- aktywowanie funkcji „Hold button for gear” (powodującej zmianę biegu przez naciśnięcie przycisku).

## MAPOWANIE NA KOMPUTERZE PC



## PAKIET OPROGRAMOWANIA

Pod adresem <https://support.thrustmaster.com> (kliknij Racing Wheels / TH8A Shifter, a następnie wybierz Drivers) dostępny jest pakiet oprogramowania.

— Po zainstalowaniu pakietu można:

- \* sprawdzić wersję oprogramowania sprzętowego skrzyni biegów,
- \* w razie potrzeby zaktualizować oprogramowanie sprzętowe do najnowszej dostępnej wersji,
- \* użyć funkcji „BOOTLOADER” (w celu przywrócenia skrzyni biegów do normalnego działania w razie utraty oprogramowania sprzętowego),
- \* otworzyć specjalny panel sterowania (kontroler gier) na komputerze PC.
- \* na komputerze PC — korzystać z trybu ANALOGOWEGO (hamulec ręczny)

## ZAAWANSOWANY PROGRAM DO KALIBRACJI

Kalibracja skrzyni biegów TH8A jest wykonywana automatycznie.

Na tej stronie dostępny jest zaawansowany program do kalibracji na komputer PC: <https://support.thrustmaster.com> (kliknij Racing Wheels / TH8A Shifter, a następnie wybierz Software). Pozwala on dostosować do indywidualnych upodobań skok zmiany biegów.

Wprowadzone ustawienia są natychmiast zapisywane w wewnętrznej pamięci skrzyni biegów (i można ich używać na konsolach PS4™/PS5™ i Xbox One/Xbox Series oraz na komputerze PC).

## PODSUMOWANIE INSTRUKCJI PODŁĄCZANIA SKRZYNI BIEGÓW TH8A DO RÓŻNYCH SYSTEMÓW

	Jak podłączyć skrzynię biegów TH8A
PS4™	W zależności od gry lub kierownicy (*) : — Albo bezpośrednio do konsoli PS4™/PS5™ (USB) — Albo z tyłu kierownicy (DIN)
PS5™	Zawsze z tyłu kierownicy (DIN)
XBOX ONE/XBOX SERIES	Zawsze z tyłu kierownicy (DIN)
PC	Zawsze(*) bezpośrednio do komputera PC (USB)

(\*) Więcej informacji na temat ewentualnych wyjątków można znaleźć w sekcjach **Ważne zalecenia** na odpowiednich stronach niniejszej instrukcji.

### OSTRZEŻENIE

\* Skrzyni biegów TH8A nie wolno podłączać bezpośrednio do jakiegokolwiek urządzenia innego niż kierownica Thrustmaster, nawet jeśli zawiera ono złącze DIN. Takie podłączenie może doprowadzić do uszkodzenia skrzyni biegów TH8A lub drugiego urządzenia.

### ROZWIĄZYWANIE PROBLEMÓW

\* Skrzynia biegów nie działa prawidłowo lub wydaje się niewłaściwie skalibrowana:

- Wyłącz komputer lub konsolę, odłącz skrzynię biegów, a następnie podłącz ją ponownie i uruchom ponownie grę.
- W menu opcji/kontrolera dostępnym w grze wybierz lub określ najodpowiedniejszą konfigurację.
- Więcej informacji znajdziesz w instrukcji obsługi gry lub jej pomocy online.

— Wiele materiałów pomocniczych i wskazówek (niezawartych w tej instrukcji), listę zgodnych gier itp. można znaleźć na stronie internetowej <https://support.thrustmaster.com>. Kliknij Racing Wheels / TH8A Shifter.

— W przypadku konsoli Xbox One/Xbox Series w celu zapewnienia zgodności kierownicy Thrustmaster dla Xbox One/Xbox Series ze skrzynią biegów TH8A może być wymagana aktualizacja oprogramowania sprzętowego kierownicy. Dostęp do jego najnowszej wersji można uzyskać przy użyciu komputera na następującej stronie: <https://support.thrustmaster.com> (kliknij Racing Wheels / TH8A Shifter, a następnie wybierz Firmware).



## INFORMACJE DOTYCZĄCE GWARANCJI DLA KLIENTA

Firma Guillemot Corporation S.A. z siedzibą pod adresem Place du Granier, B.P. 97143, 35571 Chantepie, Francja („Guillemot”) udziela klientowi obowiązującej na całym świecie gwarancji, że niniejszy produkt Thrustmaster będzie wolny od wad materiałowych i produkcyjnych przez okres gwarancji równy limitowi czasu, w którym klient może występować z roszczeniami z tytułu wad niniejszego produktu. W krajach Unii Europejskiej jest to okres dwóch (2) lat od dostarczenia produktu Thrustmaster. W innych krajach okres gwarancji jest równy limitowi czasu, w którym klient może występować z roszczeniami z tytułu wad produktu Thrustmaster zgodnie z przepisami obowiązującymi w kraju, w którym klient mieszkał w dniu zakupu produktu Thrustmaster. (Jeśli przepisy danego kraju nie przewidywają występowania z takimi roszczeniami, okres gwarancji będzie wynosił jeden (1) rok od pierwotnej daty zakupu produktu Thrustmaster).

Jeśli w okresie gwarancji wystąpią objawy mogące świadczyć o wadzie produktu, należy niezwłocznie skontaktować się z działem pomocy technicznej, który wskaże dalszy sposób postępowania. W razie potwierdzenia wady produkt należy zwrócić w punkcie zakupu (lub innym miejscu wskazanym przez dział pomocy technicznej).

W ramach niniejszej gwarancji wadliwy produkt zostanie wymieniony lub przywrócony do stanu sprawności użytkowej, zgodnie z decyzją działu pomocy technicznej. Jeśli w okresie gwarancji produkt Thrustmaster zostanie poddany czynnościom mającym na celu przywrócenie go do stanu użytkowego, dowolny okres co najmniej siedmiu (7) dni, podczas których produkt nie jest użytkowany, zostanie dodany do pozostałego okresu gwarancji (okres ten liczy się od dnia, w którym klient poprosi o interwencję, lub od dnia, w którym dany produkt zostanie udostępniony celem przywrócenia do stanu użytkowego, jeśli data udostępnienia celem przywrócenia do stanu użytkowego następuje po dacie próby o interwencję). Jeśli zezwala na to obowiązujące prawo, całkowita odpowiedzialność firmy Guillemot i jej podmiotów zależnych (łącznie z odpowiedzialnością za szkody wtórne) ogranicza się do przywrócenia do stanu użytkowego lub wymiany produktu Thrustmaster. Jeśli zezwala na to obowiązujące prawo, firma Guillemot wyłącza wszelkie gwarancje kupowności i przydatności do określonego celu.

Niniejsza gwarancja nie obowiązuje: (1) w przypadku, gdy produkt został zmodyfikowany, otwarty, zmieniony albo uszkodzony na skutek nieodpowiedniego lub nadmiernego użytkowania, niedbałości, wypadku, normalnego zużycia lub z innego powodu niezwiązanego z wadą materiałową ani produkcyjną (w tym między innymi z powodu połączenia produktu Thrustmaster z nieodpowiednim elementem, w tym w szczególności z zasilaczem, akumulatorem, ładowarką lub jakimkolwiek innym elementem niedostarczonym przez firmę Guillemot dla tego produktu); (2) w przypadku używania produktu w sposób inny niż użytek domowy, w tym do celów zawodowych lub komercyjnych (na przykład w salonach gier albo do prowadzenia szkoleń lub zawodów); (3) w razie nieprzestrzegania instrukcji podanych przez dział pomocy technicznej; (4) w odniesieniu do oprogramowania, jako że oprogramowanie to jest objęte odrębną szczegółową gwarancją; (5) w odniesieniu do materiałów eksploatacyjnych (elementów wymienianych w czasie eksploatacji produktu, na przykład baterii jednorazowych, muszli/nakładek na uszy do zestawów słuchawkowych lub słuchawek); (6) w odniesieniu do akcesoriów (na przykład kabli, pokrowców, etui, torebek, pasków na rękę); (7) w przypadku sprzedania produktu na aukcji publicznej.

Niniejsza gwarancja nie podlega przeniesieniu.

Niniejsza gwarancja nie wpływa na prawa klienta wynikające z przepisów dotyczących sprzedaży dóbr konsumenckich w kraju klienta.

### **Dodatkowe postanowienia gwarancyjne**

W okresie gwarancji firma Guillemot zasadniczo nie udostępnia jakichkolwiek części zamiennych, ponieważ jedynym podmiotem upoważnionym do otwarcia jakiegokolwiek produktu Thrustmaster i/lub przywrócenia go do stanu użytkowego jest dział pomocy technicznej (oprócz ewentualnych procedur przywracania produktu do stanu użytkowego, o wykonanie których dział pomocy technicznej może poprosić klienta przez przekazanie pisemnych instrukcji — np. ze względu na prostotę i jawność procesu przywracania do stanu użytkowego — oraz, w razie potrzeby, przez udostępnienie klientowi wymaganych części zamiennych).

Ze względu na realizowane cykle innowacji oraz konieczność zapewnienia ochrony swojej specjalistycznej wiedzy i tajemnic handlowych firma Guillemot zasadniczo nie udostępnia powiadomień dotyczących przywracania do stanu użytkowego ani części zamiennych w przypadku produktów Thrustmaster, których okres gwarancji upłynął.

### **Odpowiedzialność**

Jeśli zezwala na to obowiązujące prawo, firma Guillemot Corporation S.A. („Guillemot”) i jej podmioty zależne nie ponoszą żadnej odpowiedzialności za szkody spowodowane przez co najmniej jeden z następujących czynników: (1) modyfikację lub otwarcie produktu bądź wprowadzenie w nim zmian; (2) nieprzestrzeganie instrukcji montażu; (3) nieodpowiednie lub nadmierne użytkowanie, niedbałość, wypadek (na przykład uderzenie); (4) normalne zużycie; (5) używanie produktu w sposób inny niż użytek domowy, w tym do celów zawodowych lub komercyjnych (na przykład w salonach gier albo do prowadzenia szkoleń lub zawodów). Jeśli zezwala na to obowiązujące prawo, firma Guillemot i jej podmioty zależne nie ponoszą żadnej odpowiedzialności za szkody niezwiązane z wadą materiałową lub produkcyjną produktu (w tym między innymi za szkody spowodowane bezpośrednio lub pośrednio przez jakiegokolwiek oprogramowanie lub na skutek połączenia produktu Thrustmaster z nieodpowiednim elementem, w tym w szczególności z zasilaczem, akumulatorem, ładowarką lub jakimkolwiek innym elementem niedostarczonym przez firmę Guillemot dla tego produktu).

EN

FR

DE

NL

IT

ES

PT

RU

CS

TR

PL

日本語

繁體中文

한국어

العربية

## PRAWA AUTORSKIE

© 2021 Guillemot Corporation S.A. Wszelkie prawa zastrzeżone. Thrustmaster® jest zastrzeżonym znakiem towarowym firmy Guillemot Corporation S.A. PlayStation® jest zastrzeżonym znakiem towarowym firmy Sony Interactive Entertainment, Inc. Windows® jest zastrzeżonym znakiem towarowym firmy Microsoft Corporation w USA i/lub innych krajach. Wszystkie inne znaki towarowe stanowią własność odpowiednich podmiotów. Ilustracje nie są wiążące prawnie. Treść, wzory i dane techniczne przedstawione w instrukcji mogą ulec zmianie bez powiadomienia i mogą różnić się w zależności od kraju. Wyprodukowano w Chinach.

## ZALECENIE DOTYCZĄCE OCHRONY ŚRODOWISKA



\* Na terenie Unii Europejskiej; gdy okres przydatności produktu do eksploatacji dobiegnie końca, produktu nie należy pozbywać się wraz ze zwykłymi odpadami z gospodarstwa domowego, ale oddać do recyklingu w punkcie zbiórki zużytego sprzętu elektrycznego i elektronicznego. Potwierdza to symbol znajdujący się na produkcie, w instrukcji obsługi lub na opakowaniu.

Zależnie od swoich właściwości materiały zawarte w produkcie mogą nadawać się do recyklingu. Dzięki recyklingowi i innym formom utylizacji zużytych urządzeń elektrycznych i elektronicznych klient może w znacznym stopniu przyczynić się do

ochrony środowiska. Aby uzyskać informacje o najbliższych punktach zbiórki odpadów, należy skontaktować z miejscowymi władzami.

We wszystkich innych krajach: należy przestrzegać miejscowych przepisów dotyczących recyklingu sprzętu elektrycznego i elektronicznego.

Niniejsze informacje należy zachować. Kolorystyka i elementy ozdobne mogą różnić się od przedstawionych.

Przed korzystaniem z produktu należy zdjąć z niego plastikowe elementy mocujące oraz naklejki.

[www.thrustmaster.com](http://www.thrustmaster.com)

*\*Dotyczy wyłącznie UE, Wielkiej Brytanii i Turcji*



**THRUSTMASTER®**

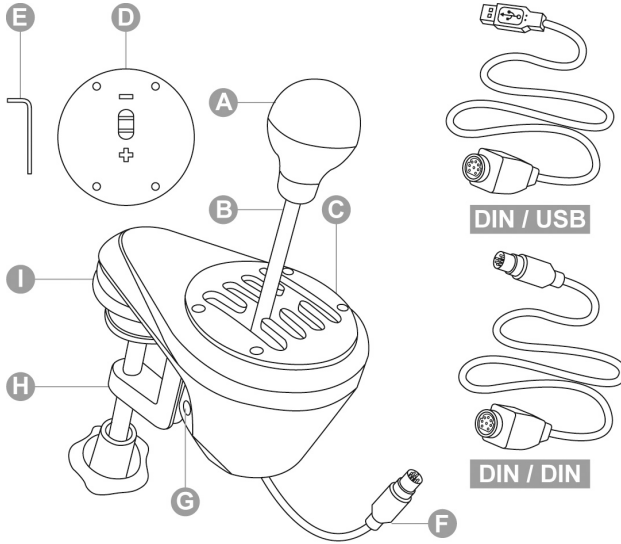
**WSPARCIE TECHNICZNE**

<https://support.thrustmaster.com>



## الكمبيوتر – PlayStation®4/PlayStation®5 – Xbox One/Xbox Series

دليل المستخدم



المميزات الفنية

- F** الكابل وموصل DIN  
**G** مسمار شد داخلي  
**H** جهاز تثبيت قابل للضغط  
**I** "أسنان لولبية" للتركيب في كراسي السباق
- DIN / USB** كابل القابل للفصل  
**DIN / DIN** كابل القابل للفصل

- A** مقبض لنزاع تبديل السرعة قابل للفصل  
 (غير مثبت بشكل افتراضي)  
**B** عصا  
**C** لوحة تبديل السرعة "نمط H (7+1)" قابلة للضغط  
 (مثبتة بشكل افتراضي)  
**D** لوحة تبديل السرعة "التسلسلية (+/-)" قابلة للضغط  
 (غير مثبتة بشكل افتراضي)  
**E** مفتاح ألن 2.5مم (مضمن)

قبل استخدام هذا المنتج، يجب قراءة هذا الدليل بالكامل بعناية. واحتفظ به للرجوع إليه في المستقبل.

### تحذير – الصدمة الكهربائية

- \* احتفظ بهذا المنتج في مكان جاف ولا تعرضه للأتربة أو ضوء الشمس.
- \* تجنب مراعاة اتجاه إدخال الموصلات.
- \* لا تقم بثنى الموصلات والكابلات أو شدّها.
- \* تجنب سكب أي سوائل على المنتج أو على الموصل الخاص به.
- \* تجنب استخدام دائرة قصر مع المنتج.
- \* لا تقم بفك هذا المنتج (باستثناء عمليات الضبط الممكنة الموضحة في هذا الدليل)، ولا تحاول حرق المنتج ولا تعريضه لدرجات حرارة مرتفعة.

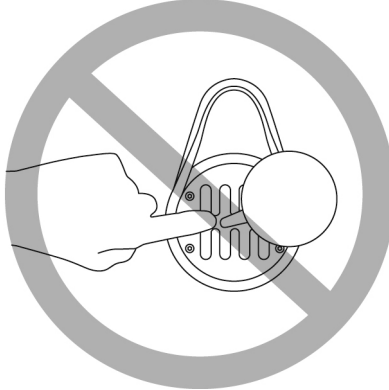
### تحذير – الإصابات الناتجة عن الحركات المتكررة

- قد يؤدي اللعب باستخدام ذراع تبديل السرعة إلى الإصابة بالألم في العضلات والمفاصل. لتجنب حدوث أية مشاكل:
- \* تجنب اللعب لفترات زمنية طويلة.
- \* خذ قسطاً من الراحة لمدة 10 إلى 15 دقيقة بعد كل ساعة من اللعب.
- \* في حالة الشعور بالتعب أو الألم في اليدين أو الرسغين أو الذراعين، توقف عن اللعب واسترح ليضع ساعات قبل بدء اللعب مرة أخرى.
- \* إذا استمرت الأعراض أو الألام الموضحة أعلاه عند استئناف اللعب، فتوقف عن اللعب واستشر الطبيب.
- \* تحقق من أن قاعدة ذراع تبديل السرعة مثبتة بشكل صحيح، كما هو موضح في التعليمات الموجودة في هذا الدليل.

### تحذير – خطر التعرض للقرص في فتحات لوحة تبديل السرعة

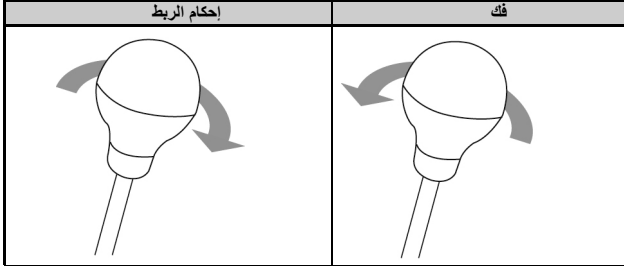
- \* احتفظ بالمنتج بعيداً عن متناول يد الأطفال.
- \* عند لعب لعبة، تجنب وضع أصابعك (أو أي جزء آخر من جسمك) في فتحات لوحات تبديل السرعة.

لا تفعل هذا مطلقاً



## تركيب مقبض ذراع تبديل السرعة

1. لتثبيت مقبض ذراع تبديل السرعة (A) على العصا الخاصة به (B): أدر مقبض ذراع تبديل السرعة باتجاه عقارب الساعة.
2. لفك مقبض ذراع تبديل السرعة: أدر المقبض في عكس اتجاه عقارب الساعة.

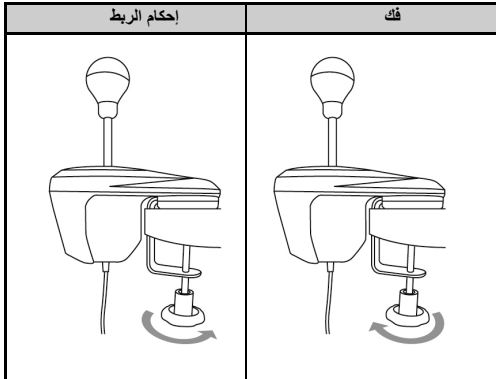


## تركيب ذراع تبديل السرعة

- تم تحسين عملية التركيب لتناسب أي نوع من أنواع الدعامات:
- المناضد أو الطاولات أو الأرفف ذات سمك يتراوح من 1 إلى 55 مم، عن طريق جهاز التثبيت (H).
  - كراسي السباق، عن طريق "الأسنان اللولبية" المضمنة (يمكن فصل جهاز التثبيت).

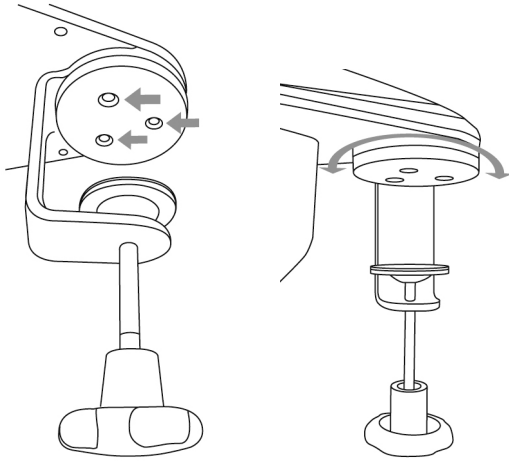
## تركيب ذراع تبديل السرعة على منضدة أو طاولة

1. ضع الجزء الناتج من ذراع تبديل السرعة على منضدة أو سطح مستوي آخر.
2. لإحكام الربط: أدر عجلة التثبيت في عكس اتجاه عقارب الساعة.
3. للفك: أدر عجلة التثبيت في اتجاه عقارب الساعة.

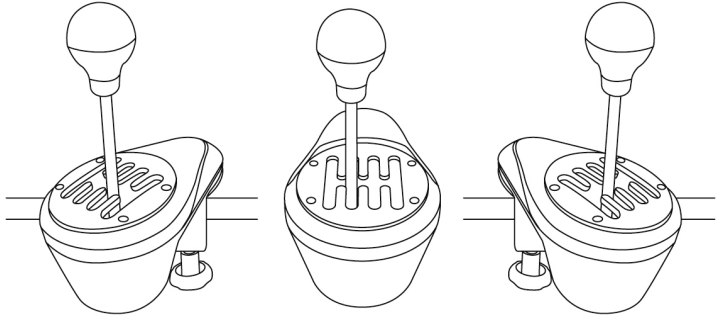


## ضبط موضع جهاز التثبيت وتدويره (يمكن ضبطه بمقدار 360 درجة)

1. باستخدام مفتاح أن 2.5 مم المضمن (E)، قم بإجراء فك جزئي للمسامير الثلاثة التي تُبقي جهاز التثبيت (H) في موضعه.  
يمكن الآن تدوير جهاز التثبيت (وبالتالي ذراع تبديل السرعة بالكامل) يدويًا بمقدار 360 درجة.

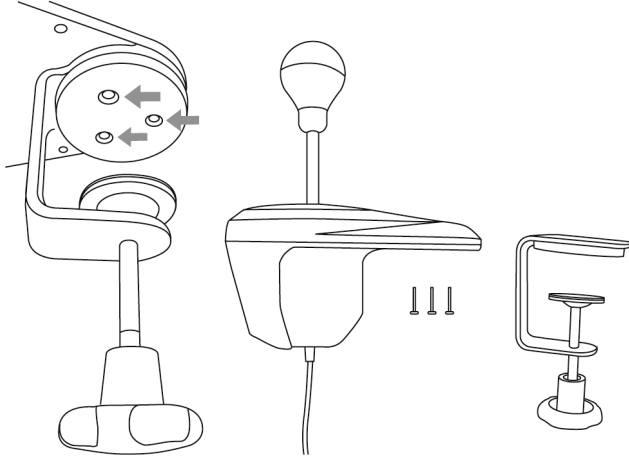


2. حدد الموضع المفضل لديك أثناء التدوير بمقدار 360 درجة (موضح أدناه 3 أمثلة، من بين الكثير من الاحتمالات الأخرى المتاحة).  
بعد ذلك، أعد إحكام ربط المسامير الثلاثة التي تُبقي جهاز التثبيت في موضعه.

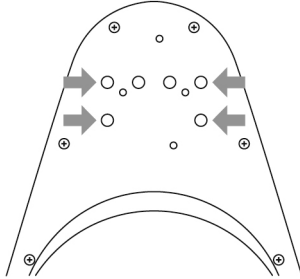


## تركيب ذراع تبديل السرعة في أحد كرسي السباق

1. باستخدام مفتاح ألن 2.5 مم المضمن (E)، قم بفك المسامير الثلاثة التي تُبقي جهاز التثبيت (H) في موضعه وإزالتها تمامًا. افصل جهاز التثبيت عن ذراع تبديل السرعة.



2. بعد إزالة جهاز التثبيت، قم بلف مسامير "M6" (غير مضمنين) وربطهما في رف كرسي السباق وفي اثنين من "الأسنان اللولبية" (I) الأربعة الصغيرة الموجودة على الجانب السفلي من الجزء الناتئ لذراع تبديل السرعة.



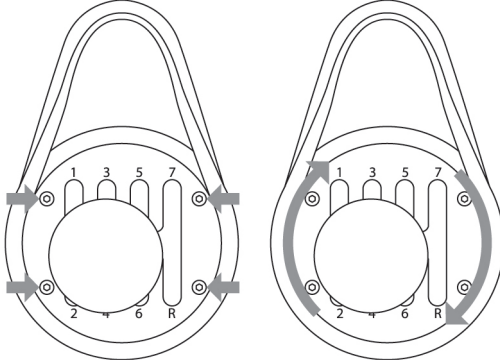
تأكد من عدم استخدام مسامير "M6" الطويلة للغاية، والتي قد تؤدي إلى ثقوب الجزء العلوي من الجزء الناتئ لذراع تبديل السرعة وإتلافه.

يتوفر قالب تثبيت ناقل السرعة لمقصورة القيادة على الموقع: <https://support.thrustmaster.com>  
(انقر فوق < Manual < TH8A Shifter < Racing Wheels < Manual)

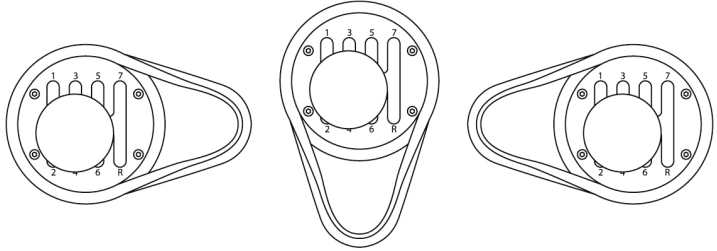


ضبط موضع لوحات تبديل السرعة وتدويرها (يمكن ضبطها بمقدار 360 درجة)

1. باستخدام مفتاح ألن 2.5 مم المضمن (E)، قم بإجراء فك جزئي للمسامير الأربعة التي تُبقي لوحة تبديل السرعة (C أو D) في موضعها.  
يمكن الآن تدوير لوحة تبديل السرعة يدويًا بمقدار 360 درجة.



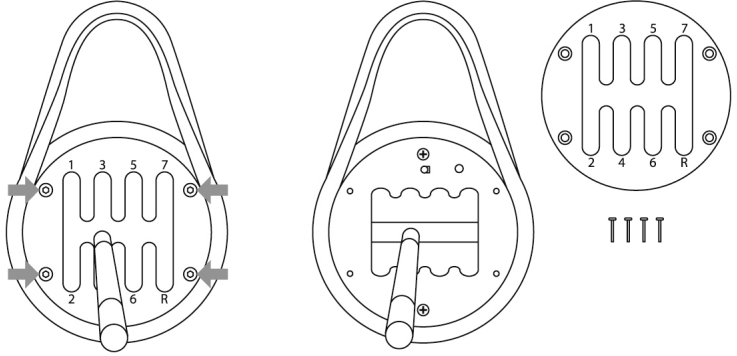
2. حدد الموضع المفضل لديك أثناء التدوير بمقدار 360 درجة (موضح أدناه 3 أمثلة، من بين الكثير من الاحتمالات الأخرى المتاحة).



3. أعد إحكام ربط المسامير الأربعة التي تُبقي لوحة تبديل السرعة في موضعها.

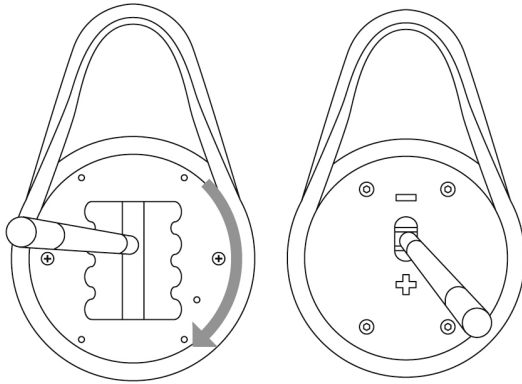
التحويل من لوحة تبديل السرعة "تمط (7+1) H"  
إلى لوحة تبديل السرعة "التسلسلية (+/-)"

1. قم بفك مقبض ذراع تبديل السرعة (A) (في عكس اتجاه عقارب الساعة) وإزالتها.
2. باستخدام مفتاح ألن 2.5 مم المضمن (E)، قم بفك المسامير الأربعة التي تُبقي لوحة تبديل السرعة "تمط H (7+1)" في موضعها وإزالتها تمامًا. قم بإزالة لوحة تبديل السرعة.

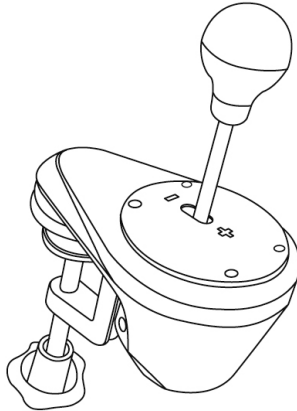


خلال هذا الإجراء، يجب مراعاة عدم إسقاط أي من هذه المسامير دون قصد في الأجزاء الداخلية.

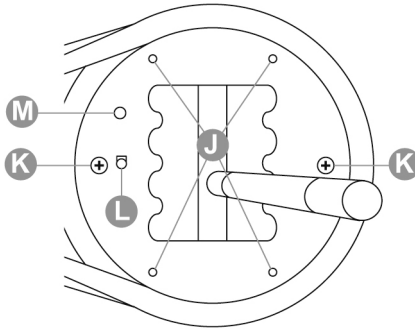
3. قم بتدوير الهيكل الداخلي بمقدار 90 درجة يدويًا إلى اليمين (في اتجاه عقارب الساعة). ثم قم بتركيب لوحة تبديل السرعة "التسلسلية (+/-)".



4. باستخدام مفتاح أَلن 2.5 مم المضمن (E)، أعد تركيب المسامير الأربعة التي تُبقي لوحة تبديل السرعة "التسلسلية (-/+)" في موضعها وإحكام ربطها تمامًا. قم بتركيب مقبض ذراع تبديل السرعة مرة أخرى (لفه في اتجاه عقارب الساعة).



قم بتنفيذ هذا الإجراء بشكل عكسي لإعادة تركيب لوحة تبديل السرعة "نمط H (7+1)".



J: 4 "أسنان لولبية" لربط لوحات تبديل السرعة (C أو D).

K: مسماران لإبقاء الهيكل الداخلي في موضعه (لا يتم فكهما).

L: زر يكتشف تلقائيًا نوع لوحة تبديل السرعة المستخدمة (C أو D). يتم الضغط عليه تلقائيًا عند تركيب لوحة تبديل السرعة "التسلسلية (+/-)". حافظ على نظافة هذه المنطقة لتجنب حدوث أية مشاكل في عملية الاكتشاف.

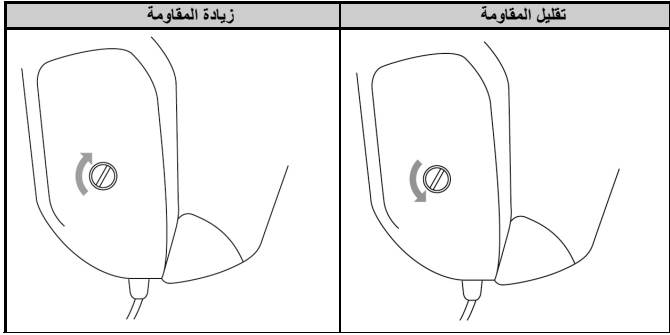
M: فتحة لسهولة ضبط موضع لوحات تبديل السرعة.  
ضبط مقاومة ذراع تبديل السرعة

\* ينطبق فقط على لوحة تبديل السرعة "تمط H (7+1)".  
\* قبل إجراء أية عمليات ضبط، يجب تركيب لوحة تبديل السرعة "تمط H (7+1)" في موضعها الأصلي (الرجاء رؤية الرسم أدناه).



1. باستخدام مفك كبير ذي رأس عريضة، ضع المفك في رأس مسمار الشد الداخلي (G) الموجود في الجزء السفلي الأيسر من غلاف ذراع تبديل السرعة.
2. لزيادة المقاومة قليلًا: ادِر المسمار في اتجاه عقارب الساعة.

3. لتقليل المقاومة قليلاً: أدر المسمار في عكس اتجاه عقارب الساعة.



يكون إجراء دورتين كاملتين كافيًا للانتقال من أقصى درجة مقاومة إلى أدنى درجة أو العكس.



لتجنب تلف الجهاز:

- توقف عن إحكام ربط المسمار عند الشعور بمقاومة شديدة.  
توقف عن فك المسمار إذا أصبحت العصا غير ثابتة ومتأرجحة.

## PLAYSTATION®4/PLAYSTATION®5

وفقاً للعبة PS4™/PS5™ أو عجلة السباق التي تستخدمها:

PS4™ = قم بتوصيل (\*) ناقل سرعة TH8A مباشرةً بمنفذ USB الخاص بـ PS4™

- قم بتوصيل موصل DIN لناقل سرعة TH8A بكابيل DIN / USB.

- قم بتوصيل ناقل سرعة TH8A بأحد منافذ USB الخاصة بـ PS4™.

- ابدأ اللعبة.

يمكن بعد ذلك تشغيل ناقل سرعة TH8A من خلال لوحة تبديل السرعة "نمط H (7+1)" أو لوحة تبديل السرعة "التسلسلية (-/+)" .

أو

PS4™/PS5™ = قم بتوصيل (\*) ناقل سرعة TH8A مباشرةً بقاعدة عجلة سباق

Thrustmaster

(ينطبق فقط إذا كانت عجلة سباق Thrustmaster تتضمن موصل ناقل السرعة المضمن)

- قم بتوصيل موصل DIN لناقل سرعة TH8A بكابيل DIN / DIN القابل للفصل.

- قم بتوصيل ناقل سرعة TH8A بـ موصل ناقل السرعة الموجود في الجانب الخلفي لقاعدة عجلة السباق.

- قم بتوصيل عجلة السباق، ثم ابدأ اللعبة.

يمكن بعد ذلك تشغيل ناقل سرعة TH8A من خلال لوحة تبديل السرعة "نمط H (7+1)" أو لوحة تبديل السرعة "التسلسلية (-/+)" .

(\*) **توصيات هامة لنظام PS4™/PS5™** (تنطبق فقط في حالة استخدام عجلة سباق

Thrustmaster التي تتضمن موصل ناقل السرعة المضمن)

- PS4™/PS5™: عند استخدام لوحة تبديل السرعة "التسلسلية (-/+)" لناقل سرعة TH8A، يمكنك أيضاً

توصيل ناقل السرعة في الجانب الخلفي لعجلة السباق باستخدام كابل DIN / DIN القابل للفصل. بعد ذلك، يتم توصيل

ناقل السرعة TH8A بناقلات السرعة ذات الريش العلوية (R1) والسفلية (L1) الخاصة بعجلة السباق.

باستخدام عجلة السباق هذه، تعمل لوحة تبديل السرعة التسلسلية (-/+) لناقل السرعة TH8A بشكل كامل في ألعاب

سباق PS4™/PS5™ التي تتوافق مع عجلة السباق.

- PS4™: تُمكنك بعض الألعاب من استخدام ناقل سرعة TH8A في وقت واحد:

ناقل سرعة TH8A باستخدام لوحة تبديل السرعة "نمط H (7+1)"، المتصل بمنفذ USB الخاص بـ PS4™

+ ناقل سرعة TH8A باستخدام لوحة تبديل السرعة التسلسلية (-/+)، المتصل بالجانب الخلفي لعجلة السباق

\*تتوفر قائمة ألعاب PS4™/PS5™ التي تتوافق مع ناقل سرعة TH8A وإرشادات (\*) التوصيل ذات

الصلة (التي تختلف وفقاً للألعاب) هنا على الموقع:

<https://support.thrustmaster.com>

(انقر فوق Games settings < TH8A Shifter < Racing Wheels). يتم تحديث هذه

القائمة بانتظام.

\* في أنظمة PS4™، نوصيك بعدم استخدام لوحة وصل USB عند توصيل عجلة السباق أو ناقل سرعة

TH8A؛ قم بتوصيل الجهاز مباشرةً بمنافذ USB الخاصة بـ PS4™.

\* تتطلب منك بعض الألعاب تثبيت آخر التحديثات المتوفرة لكي يعمل ناقل السرعة TH8A بشكل

صحيح (يجب توصيل وحدة التحكم بالألعاب بالإنترنت).

= في جميع ألعاب Xbox One/Xbox Series، قم دائماً بتوصيل ناقل سرعة TH8A مباشرةً بقاعدة عجلة سباق Thrustmaster (وليس بمنفذ USB الخاص بوحدة التحكم بالألعاب).

- قم بتوصيل موصل DIN لناقل سرعة TH8A بكابل DIN / DIN القابل للفصل.
  - قم بتوصيل ناقل سرعة TH8A بموصل ناقل السرعة الموجود في الجانب الخلفي لقاعدة عجلة السباق.
  - قم بتوصيل عجلة السباق، ثم ابدأ اللعبة.
- يمكن بعد ذلك تشغيل ناقل سرعة TH8A من خلال لوحة تبديل السرعة "نمط H (7+1)" أو لوحة تبديل السرعة "التسلسلية (-/+)" .

### ملاحظة هامة حول Xbox One/Xbox Series:

عند استخدام لوحة تبديل السرعة "التسلسلية (-/+)" لناقل سرعة TH8A، يمكنك أيضاً توصيل ناقل السرعة بناقلات السرعة ذات الريش العلوية (= RB) والمفلية (= LB) الخاصة بعجلة السباق.

عند استخدام لوحة تبديل السرعة التسلسلية (-/+) لناقل السرعة TH8A، يعمل ناقل السرعة TH8A على النحو الصحيح في ألعاب سباق Xbox One/Xbox Series التي تتوافق مع عجلة سباق Thrustmaster لـ Xbox One/Xbox Series.

\* تتوفر قائمة ألعاب Xbox One/Xbox Series التي تتوافق مع ناقل سرعة TH8A هنا على الموقع:

<https://support.thrustmaster.com>

(انقر فوق Games settings < TH8A Shifter < Racing Wheels). يتم تحديث هذه القائمة بانتظام.

\* تتطلب منك بعض الألعاب تثبيت آخر التحديثات المتوفرة لكي يعمل ناقل السرعة TH8A بشكل صحيح (يجب توصيل وحدة التحكم بالألعاب بالإنترنت).



لضمان توافق عجلة سباق Thrustmaster لـ Xbox One/Xbox Series مع ناقل سرعة TH8A، قد يلزمك تحديث البرنامج الثابت لعجلة السباق بأحدث إصدار متوفر عبر الكمبيوتر الشخصي هنا على الموقع <https://support.thrustmaster.com> :  
انقر فوق Firmware < TH8A Shifter < Racing Wheels

= في جميع ألعاب (\*) الكمبيوتر، قم دائماً بتوصيل ناقل سرعة TH8A مباشرةً بأحد منافذ USB في الكمبيوتر.

- قم بتوصيل موصل DIN لناقل سرعة TH8A بكابل DIN / USB.
- قم بتوصيل ناقل سرعة TH8A بأحد منافذ USB في الكمبيوتر.
- عند التوصيل بالكمبيوتر، يكون ناقل سرعة TH8A هو جهاز التوصيل والتشغيل ويتم الكشف عنه وتثبيته تلقائيًا.
- يظهر الجهاز بعد ذلك كـ "تبدل سرعة T500 RS" في لوحة تحكم Windows®.
- انقر فوق Properties (خصائص) لاختبار ميزات الجهاز وعرضها.
- ابدأ اللعبة.
- أنت الآن جاهز للسباق!

(\*) **توصيات هامة حول أجهزة الكمبيوتر** (تنطبق فقط في حالة استخدام عجلة سباق Thrustmaster التي تتضمن موصل ناقل السرعة المضمن)

- عند استخدام لوحة تبديل السرعة "التسلسلية (-/+)" لناقل سرعة TH8A، يمكنك أيضًا توصيل ناقل السرعة في الجانب الخلفي لعجلة السباق باستخدام كابل DIN / DIN القابل للفصل. بعد ذلك، يتم توصيل ناقل السرعة TH8A بناقلات السرعة ذات الريش العلوية (2 =) والسفلية (1 =) الخاصة بعجلة السباق.

بإستخدام عجلة السباق هذه، تعمل لوحة تبديل السرعة التسلسلية (-/+) الخاصة بـ TH8A بشكل كامل في ألعاب سباق الكمبيوتر التي تتوافق مع عجلة السباق.

- تُمكنك بعض الألعاب من استخدام ناقل سرعة TH8A في وقت واحد:  
 ناقل سرعة TH8A باستخدام لوحة تبديل السرعة "نمط H (7+1)"، المتصلة بمنفذ USB الخاص بالكمبيوتر  
 + ناقل سرعة TH8A لوحة تبديل السرعة التسلسلية (-/+)، المتصلة بالجانب الخلفي لعجلة السباق

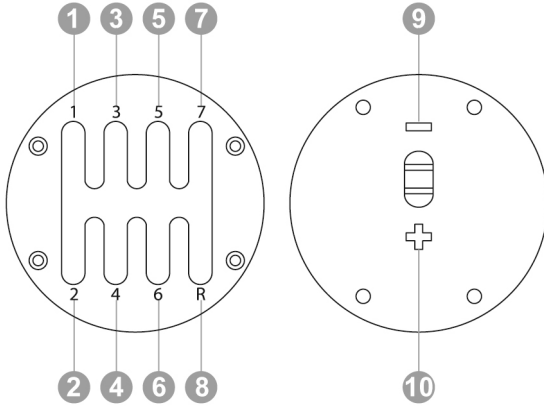
\* على جهاز الكمبيوتر، يكون ذراع تبديل السرعة *Thrustmaster* متوافقًا مع:  
 - كافة الألعاب التي تدعم USB متعددًا وأزرع تبديل السرعة.  
 - كافة عجلات القيادة المتوفرة في الأسواق.

\* نوصي بتوصيل عجلة السباق وناقل السرعة TH8A مباشرةً بمنافذ USB 2.0 (وليس USB 3.0) في الكمبيوتر، دون استخدام لوحة وصل.

\* في بعض ألعاب الكمبيوتر، يجب تثبيت آخر التحديثات المتوفرة للعبة كي يعمل ذراع تبديل السرعة *Thrustmaster* على النحو الصحيح.

\* في بعض ألعاب الكمبيوتر (لتجنب حدوث تضارب بين عجلة القيادة وذراع تبديل السرعة)، قد يلزم القيام بما يلي:  
 - عدم تعيين أي شيء على ريش ذراع تبديل السرعة الخاصة بعجلة القيادة.  
 - تمكين وظيفة "Hold button for gear".





### حزمة البرامج

- تتوفر "حزمة البرامج" على الموقع:

<https://support.thrustmaster.com>

انقر فوق Drivers < TH8A Shifter < Racing Wheels

- بعد تثبيت حزمة البرامج، ستتمكن من:

- \* التحقق من إصدار البرنامج الثابت لذراع تبديل السرعة.
- \* تحديث البرنامج الثابت (إذا لزم الأمر) بأحدث إصدار متوفر.
- \* استخدام "طريقة" BOOTLOADER
- (لاستعادة ذراع تبديل السرعة، في حالة فقد البرنامج الثابت).
- \* الوصول إلى لوحة تحكم مخصصة (وحدة التحكم بالألعاب) على الكمبيوتر.
- \* استمتع بالوضع القياسي (فرامل اليد) على الكمبيوتر.

### برامج المعايرة المتقدمة

تتم معايرة تبديل سرعة TH8A تلقائيًا.

يتوفر أيضًا تطبيق برنامج المعايرة المتقدمة هنا على الموقع: <https://support.thrustmaster.com>

انقر فوق Racing Wheels < TH8A Shifter < Software

وينتج لك ضبط حركة تبديل السرعة كما يلائمك.

عند اكتمال الإعدادات، يتم حفظها على الفور في ذاكرة تبديل السرعة الداخلية (ويمكن استخدامها على PS4™/PS5™ و Xbox One/Xbox Series و الكمبيوتر).

## إرشادات موجزة حول توصيل ناقل سرعة TH8A بالأنظمة المختلفة

قم بتوصيل ناقل سرعة TH8A	
وفقًا للعبة وعجلة السباق (*): - مباشرةً بنظام PS4™/PS5™ (USB) - أو في الجانب الخلفي لعجلة القيادة (DIN)	PS4™
دائمًا في الجانب الخلفي لعجلة القيادة (DIN)	PS5™
دائمًا في الجانب الخلفي لعجلة القيادة (DIN)	XBOX ONE/XBOX SERIES
دائمًا (*) بالكمبيوتر (USB) بشكل مباشر	الكمبيوتر

(\* للحصول على مزيد من المعلومات حول أي استثناءات، يُرجى مراجعة مقاطع توصيات هامة الواردة في الصفحات ذات الصلة بالدليل.

### تحذير

\* تجنب مطلقًا توصيل ناقل السرعة TH8A مباشرةً بأي جهاز غير عجلة سباق Thrustmaster، حتى لو كان الجهاز يتضمن موصل DIN مطابق. قد يؤدي هذا إلى تلف ناقل سرعة TH8A أو الجهاز الآخر.

### استكشاف الأخطاء وإصلاحها

\* ذراع تبديل السرعة الخاص بي لا يعمل بشكل صحيح، أو يبدو أنه قد تمت معايرته على نحو خاطئ:  
- قم بإيقاف تشغيل الكمبيوتر أو الوحدة الرئيسية وافصل ذراع تبديل السرعة ثم أعد توصيله وأعد تشغيل اللعبة.  
- في اللعبة، أسفل "خيارات/وحدة التحكم"، حدد التكوين الأكثر ملاءمة أو قم بإعداده.  
- راجع دليل مستخدم اللعبة أو التعليمات المتوفرة على الإنترنت للحصول على مزيد من المعلومات.

- تتوفر مواضيع التعليمات والنصائح المختلفة (غير الواردة في هذا الدليل) وقائمة الألعاب المتوافقة،  
إنخ، على موقع الويب <https://support.thrustmaster.com>  
انقر فوق TH8A Shifter < Racing Wheels.

- في Xbox One، لضمان توافق عجلة سباق Thrustmaster لـ Xbox One مع ناقل سرعة TH8A، قد يلزمك تحديث البرنامج الثابت لعجلة السباق بأحدث إصدار متوفر عبر الكمبيوتر الشخصي هنا على الموقع:  
<https://support.thrustmaster.com> (انقر فوق TH8A Shifter < Racing Wheels < Firmware).

## معلومات ضمان المستهلك

تضمن شركة Guillemot Corporation S.A، العالمية (المشار إليها فيما بعد باسم "Guillemot") ومقرها الرئيسي في Place du Granier, B.P. 97143, 35571 Chantepie, France للمستهلك أن يكون منتج Thrustmaster هذا خاليًا من عيوب المواد وعيوب التصنيع، طوال مدة فترة الضمان التي تتوافق مع الفترة المحددة التي يمكن خلالها المطالبة بالمطابقة لاسترداد قيمة هذا المنتج أو استبداله. في دول الاتحاد الأوروبي، يسري هذا لمدة (2) عامين من تاريخ استلام المنتج Thrustmaster. وفي دول أخرى، تتوافق فترة الضمان مع الفترة المحددة للمطابقة لمطابقة المنتج Thrustmaster وفقًا للقوانين المعمول بها في الدولة التي كان يقطن بها المستهلك عند تاريخ شراء المنتج Thrustmaster (في حالة عدم المطالبة في الدولة المعنية، ستكون فترة الضمان عام (1) واحد من تاريخ الشراء الأصلي للمنتج Thrustmaster).

وإذا ظهر أن المنتج معيبًا خلال فترة الضمان، فاتصل على الفور بالدعم الفني الذي سيرشدك إلى الإجراءات التي يجب أن تتبناها. وإذا تم التأكد من وجود العيب، فيجب إعادة المنتج إلى مكان شرائه (أو أي موقع آخر يشير إليه الدعم الفني).

وفي سياق هذا الضمان، يجب استبدال المنتج المعيب الخاص بالمستهلك أو إصلاحه، وذلك حسب اختيار الدعم الفني. إذا خضع منتج Thrustmaster، في خلال فترة الضمان، لأي عملية إصلاح، فإن أي فترة يكون المنتج خلالها خارج الخدمة ويحد أدنى سبعة (7) أيام سوف تضاف إلى فترة الضمان المتبقية (تبدأ هذه الفترة من تاريخ طلب العميل للتدخل أو من تاريخ تقديم المنتج المذكور للإصلاح، إذا كان تاريخ تقديم المنتج للإصلاح لاحقًا لتاريخ طلب التدخل). تقتصر المسؤولية الكاملة لشركة Guillemot وفروعها (بما في ذلك الأضرار التبعية) على إصلاح المنتج Thrustmaster أو استبداله، وذلك عندما يكون هذا جائزًا بموجب القانون الساري. تخلي شركة Guillemot مسؤوليتها عن أي ضمانات خاصة بالتجارة أو الملاءمة لغرض معين، وذلك عندما يكون هذا جائزًا بموجب القانون الساري.

لا يسري هذا الضمان: (1) إذا تم تعديل المنتج أو فتحه أو تغييره أو إذا تعرض للتلغ نتيجة للاستخدام السيئ أو غير الملائم أو الإهمال أو حادث أو الإهلاك نتيجة الاستعمال العادي، أو أي سبب آخر لا يرتبط بوجود عيب في المواد أو التصنيع (بما في ذلك، على سبيل المثال لا الحصر، تجميع منتج Thrustmaster بواسطة أي عنصر غير مناسب، بما في ذلك على وجه الخصوص وحدات الإمداد بالطاقة أو البطاريات القابلة لإعادة الشحن أو الشواحن أو أي عناصر أخرى لا يتم توريدها من خلال Guillemot لهذا المنتج)؛ (2) إذا استخدم المنتج لأي غرض آخر بخلاف الاستخدام المنزلي، بما في ذلك الأغراض المهنية أو التجارية (غرف الألعاب أو التدريب أو المسابقات على سبيل المثال)؛ (3) في حالة عدم الالتزام بالتعليمات المقدمة من قبل الدعم الفني؛ (4) على البرامج، حيث تخضع هذه البرامج لضمان محدد؛ (5) على العناصر الاستهلاكية (العناصر التي يتم استهلاكها خلال فترة عمر المنتج: كالبطاريات غير القابلة لإعادة الاستخدام أو سماعات الرأس أو وسادات الأذن الخاصة بسماعة الرأس)؛ (6) الملحقات (كالكابلات والعلب والحافظات والحقائب وأربطة المعصم)؛ (7) إذا تم بيع المنتج في مزاد علني.

هذا الضمان غير قابل للتحويل. لا يؤثر هذا الضمان على الحقوق القانونية للمستهلك بمقتضى القوانين المطبقة على بيع السلع الاستهلاكية في بلده/بلدها.

## شروط الضمان الأخرى

خلال فترة الضمان، لن توفر Guillemot، من حيث المبدأ، أي قطع غيار، حيث أن الدعم الفني هو الطرف الوحيد المخول بفتح و/أو إصلاح أي منتج من Thrustmaster (باستثناء أي إجراءات إصلاح يطلب الدعم الفني إجراؤها بواسطة العميل، عن طريق تعليمات مكتوبة – على سبيل المثال، نظرًا لبساطة عملة الإصلاح وعدم سربيتها – وتزويد العميل بقطعة (قطع) الغيار المطلوبة، حيثما أمكن ذلك.

لمقتضى المجالات الإبداعية ولحماية أسرار المعرفة الفنية والأسرار التجارية، لن توفر Guillemot، من حيث المبدأ، أي إشعارات للإصلاح أو قطع غيار لأي منتج Thrustmaster انتهت فترة الضمان الخاصة به.

## المسؤولية

تخلي شركة Guillemot Corporation S.A. (المشار إليها فيما بعد باسم "Guillemot") وفروعها مسؤوليتها كاملة عن أي أضرار تنتج عن حالة أو أكثر من الحالات التالية، إذا كان هذا جائزًا بموجب القانون الساري: (1) تعديل المنتج أو فتحه أو تغييره؛ (2) عدم الالتزام بتعليمات المجموعة؛ (3) الاستخدام السيئ أو غير الملائم أو الإهمال أو التعرض لحادث (تصادم، على سبيل المثال)؛ (4) الإهلاك الناتج عن الاستعمال العادي؛ (5) إذا استخدم المنتج لأي غرض آخر بخلاف الاستخدام المنزلي، بما في ذلك الأغراض المهنية أو التجارية (غرف الألعاب أو التدريب أو المسابقات على سبيل المثال). تخلي شركة Guillemot وفروعها كافة مسؤوليتها عن أي أضرار لا ترتبط بعيوب في المواد أو التصنيع يتعلق بالمنتج (متضمنًا، على سبيل المثال لا الحصر، أي أضرار تحدث بشكل مباشر أو غير مباشر بسبب أي برنامج أو عن طريق دمج منتج Thrustmaster مع أي عنصر غير مناسب، بما في ذلك على وجه الخصوص وحدات الإمداد بالطاقة أو البطاريات القابلة لإعادة الشحن أو الشواحن أو أي عناصر أخرى لا يتم توريدها من خلال Guillemot لهذا المنتج)، إذا كان هذا جائزًا بموجب القانون الساري.

## حقوق النشر

© 2021 Guillemot Corporation S.A. - كافة الحقوق محفوظة. العلامة® Thrustmaster هي علامة تجارية مسجلة لشركة Guillemot Corporation S.A. والعلامة® PlayStation هي علامة تجارية مسجلة لشركة Sony Interactive Entertainment, Inc. والعلامة® Windows هي علامة تجارية مسجلة لشركة Microsoft Corporation في الولايات المتحدة و/أو في بلدان أخرى. كافة العلامات التجارية الأخرى مملوكة لأصحابها المعنيين. الرسوم التوضيحية غير ملزمة. وتضع المحتويات والتصميمات والمواصفات للتغيير دون إشعار وقد تختلف من بلد إلى آخر. صنع في الصين.

## توصيات الحماية البيئية

في الاتحاد الأوروبي: عند انتهاء صلاحية المنتج، يجب عدم التخلص منه مع النفايات المنزلية العادية، لكن بوضع في نقطة تجميع خاصة بالتخلص من نفايات المعدات الكهربائية والإلكترونية (WEEE). ويؤكد ذلك الرمز الموجود على المنتج أو دليل المستخدم أو الغلاف. يمكن إعادة تدوير المواد، على حسب خصائصها. من خلال إعادة التدوير والأشكال الأخرى لمعالجة نفايات المعدات الكهربائية والإلكترونية، يمكنك المشاركة بفعالية في المساعدة على حماية البيئة. يرجى الاتصال بالسلطات المحلية لديك للحصول على معلومات حول نقطة التجميع الأقرب إليك. بالنسبة لكافة البلدان الأخرى: يرجى الالتزام بقوانين إعادة التدوير المحلية الخاصة بالمعدات الكهربائية والإلكترونية.



احتفظ بهذه المعلومات. قد تختلف الألوان والزرخرف. يجب إزالة المواد المثبتة واللاصقة من المنتج قبل استخدامه.

[www.thrustmaster.com](http://www.thrustmaster.com)

\*ينطبق على الاتحاد الأوروبي والمملكة المتحدة وتركيا فقط



**THRUSTMASTER®**

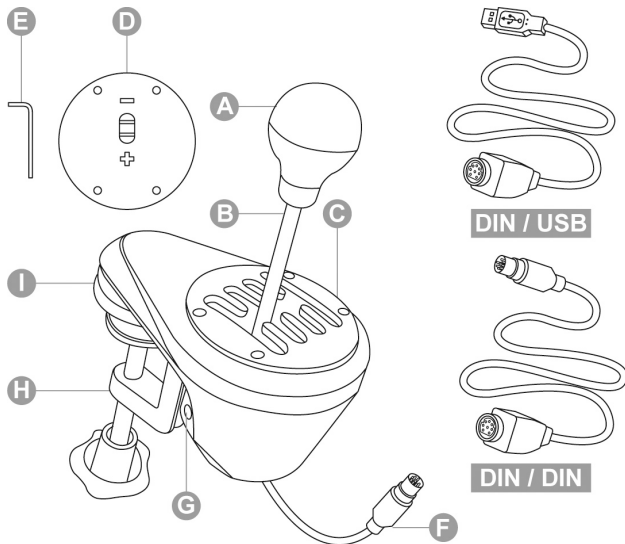
الدعم الفني

<https://support.thrustmaster.com>





## PlayStation®4/PlayStation®5 – Xbox One/Xbox Series – PC Bruksanvisning



### TEKNISKA DELAR

**A** Löstagbar växelspaksknopp  
(ej installerad som standard)

**B** Spak

**C** Justerbar växelplatta med H-mönster (7+1)  
(installerad som standard)

**D** Justerbar sekventiell (+/-) växelplatta  
(ej installerad som standard)

**E** 2.5 mm insexnyckel (ingår)

**F** Kabel och DIN-kontakt

**G** Intern spännskruv

**H** Justerbart klämsystem

**I** "Skruvgängor" för cockpitmontering

**DIN / USB** Löstagbar DIN/USB-kabel

**DIN / DIN** Löstagbar DIN/DIN-kabel

## VARNING

Läs igenom denna bruksanvisning noggrant innan du använder denna produkt. Behåll bruksanvisningen för framtida bruk.



### **Varning – Elektriska stötar**

- \* Förvara denna produkt på ett torrt ställe och utsätt det inte för damm eller solljus.
- \* Sätt i kontakter på rätt sätt.
- \* Vrid och dra inte i kontakter och kablar.
- \* Spill inte vätska på produkten eller dess kontakter.
- \* Kortslut inte produkten.
- \* Montera inte isär produkten (förutom de eventuella justeringar som beskrivs i denna bruksanvisning), försök inte bränna produkten och utsätt inte produkten för höga temperaturer.



### **Varning – Skador på grund av upprepande rörelser**

Att spela med en växelspåk kan leda till muskel- och ledvärk. För att undvika problem:

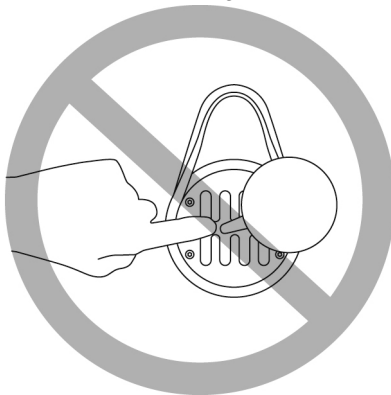
- \* Undvik att spela under längre perioder.
- \* Ta 10-15 minuters paus efter varje timme av spelande.
- \* Om du känner smärta eller trötthet i händer, handleder eller armar, ska du sluta spela och vila i några timmar innan du spelar igen.
- \* Om dessa symtom eller smärtor som beskrivs ovan består när du fortsätter spela ska du sluta spela och kontakta din läkare.
- \* Verifiera att växelspåkens bas är korrekt monterad enligt beskrivningarna i denna bruksanvisning.



### **Varning – Klämrisk vid växelp Plattans öppningar**

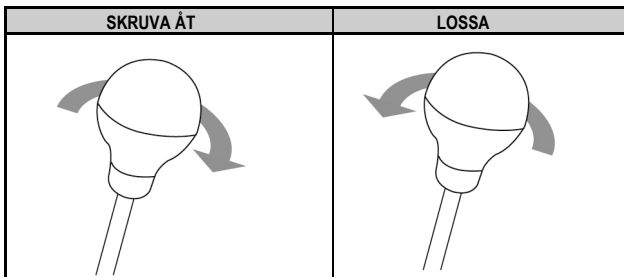
- \* Håll utom räckhåll för barn.
- \* När du spelar ett spel ska du aldrig ha dina fingrar (eller andra delar av din kropp) i växelp Plattans öppningar.

**ALDRIG**



## INSTALLERA VÄXELSPAKSKNOPPEN

1. För att skruva fast växelspaksknoppen (**A**) på dess spak (**B**): vrid växelspaksknoppen medsols.
2. För att skruva loss växelspaksknoppen: vrid knoppen motsols.



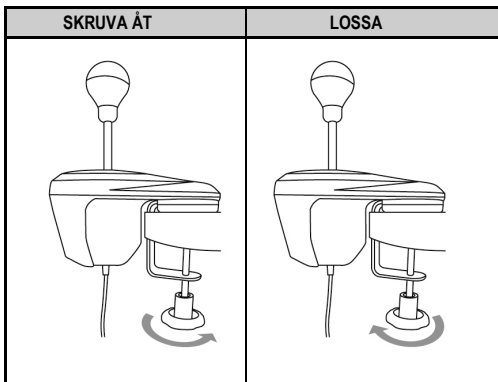
## MONTERA VÄXELSPAKEN

Monteringen är optimerad för alla typer av underlag:

- **Bord, skrivbord** eller **hyllor** från 1 till 55 mm i tjocklek, via klämsystemet (**H**).
- **Cockpits**, via de inbyggda "skruvgångorna" (klämsystemet är löstagbart).

### Montera växelspaken på ett bord eller skrivbord

1. Placera nosen på växelspaken på ett bord eller annan plan yta.
2. För att skruva åt: vrid klämrattnen motsols.
3. För att skruva loss: vrid klämrattnen medsols.

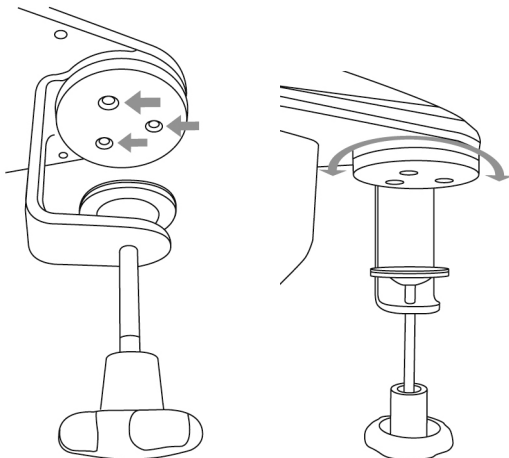




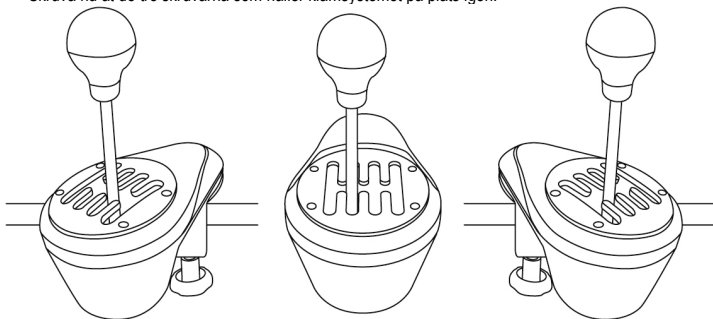
## Placera och rotera klämsystemet (kan justeras 360°)

1. Använd den medföljande 2,5 mm insexnyckeln (**E**) och lossa lite grann på de tre skruvarna som håller klämsystemet (**H**) på plats.

Klämsystemet (och således hela växelspaken) kan nu roteras manuellt 360°.

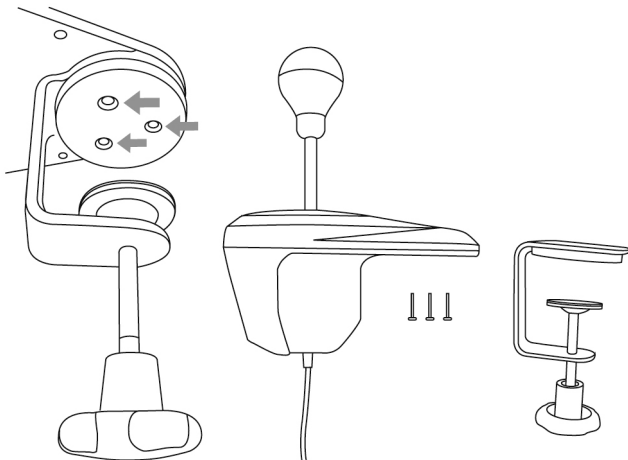


2. Välj önskad vinkel (tre exempel visas nedan, bland de många möjligheter som finns). Skruva nu åt de tre skruvarna som håller klämsystemet på plats igen.

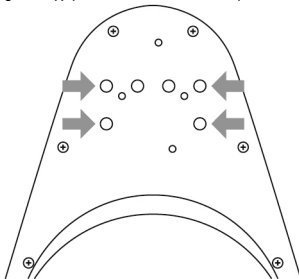


## Montera växelspaken i en cockpit

1. Använd den medföljande 2,5 mm insexnyckeln (**E**) och skruva helt loss och ta bort de tre skruvarna som håller klämsystemet (**H**) på plats. Ta bort klämsystemet från växelspaken.



2. När klämsystemet har tagits bort skruvar du i två "M6"-skruvar (ingår ej) i cockpitphyllan och i två av de fyra små "skruvgängorna" (**I**) på undersidan av växelspakens nos.

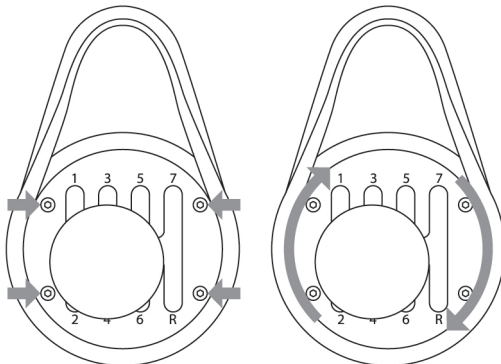


**Var nogga med att inte använda "M6"-skruvar som är för långa, då de kan gå igenom och skada överdelen av växelspakens nos.**

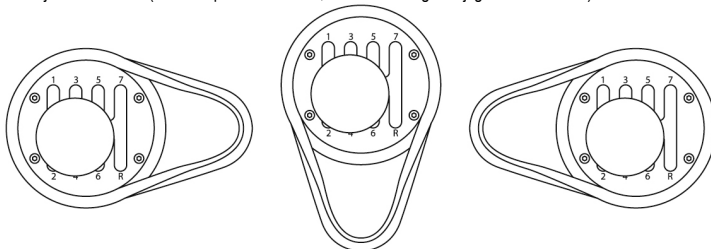
En mall för hur man monterar växelspaken i cockpits finns på <https://support.thrustmaster.com>. Klicka på Racinggrattar / TH8A Shifter, och välj sedan Manual.

## PLACERA OCH ROTERA VÄXELPLATTORNA (KAN JUSTERAS 360°)

1. Använd den medföljande 2,5 mm insexnyckeln (**E**) och lossa lite grann på de fyra skruvarna som håller växelpattan (**C eller D**) på plats.  
Växelpattan kan nu roteras 360° manuellt.



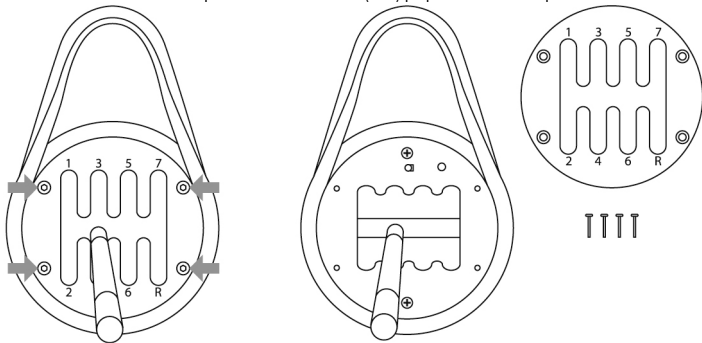
2. Välj önskad vinkel (tre exempel visas nedan, bland de många möjligheter som finns).



3. Skruva åt de fyra skruvarna som håller växelpattan på plats igen.

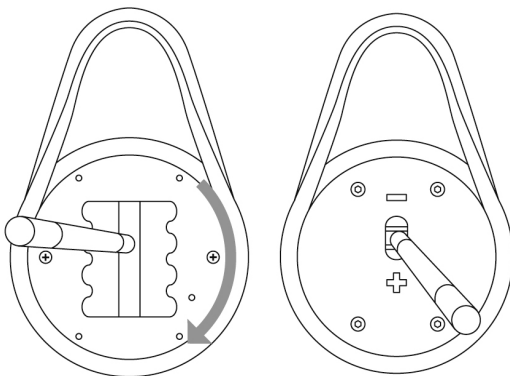
## BYTA FRÅN VÄXELPLATTAN MED H-MÖNSTER (7+1) TILL DEN SEKVENTIELLA (+/-) VÄXELPLATTAN

1. Skruva loss (motsols) och ta av växelspaksknoppen (A).
2. Använd den medföljande 2,5 mm insexnyckeln (E) och **skruva helt loss och ta bort** de fyra skruvarna som håller växelpattan med H-mönster (7+1) på plats. Ta av växelpattan.

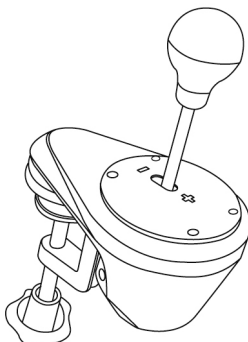


**När du gör detta, var noga med att inte låta några av skruvarna falla ner i den interna mekanismen av misstag.**

3. Rotera manuellt den inre strukturen 90° åt höger (medsols).  
Installera nu den sekventiella (+/-) växelpattan.

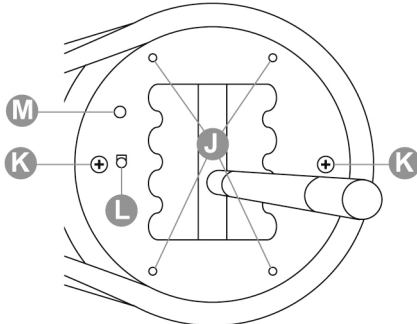


4. Använd den medföljande 2,5 mm insexnyckeln (**E**) och skruva i och dra åt de fyra skruvarna som håller den sekventiella (+/-) växelplattan på plats. Skruva tillbaka växelspaksknoppen igen (medsols).



**Gör om denna procedur fast i omvänd ordning för att byta till växelplattan med H-mönster (7+1).**

## Information angående den interna strukturens topplöck:



**J:** Fyra "skruvgångor" för att montera växelplattorna (**C eller D**).

**K:** Två skruvar som håller den inre strukturen på plats (skruva inte loss dessa)

**L:** Knapp som automatiskt känner igen vilken typ av växelplatta som används (**C eller D**). Trycks ner **automatiskt** när den sekventiella (+/-) växelplattan är installerad. Håll detta område rent för att undvika igenkänningsproblem.

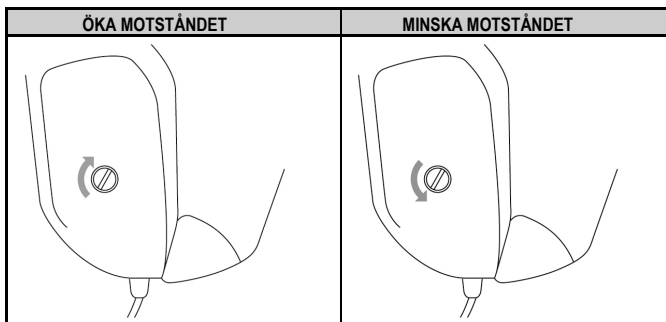
**M:** Plats för att enklare placera växelplattorna.

## JUSTERA VÄXELSPAKENS MOTSTÅND

- \* Gäller endast växelpattan med H-mönster (7+1).
- \* Innan du justerar något **måste** växelpattan med H-mönster (7+1) vara installerad på dess ursprungliga position (se bilden nedan).



1. Använd en stor plattskruvmejsel och sätt skruvmejseln på huvudet på den interna spännskraven (G) i den lägre nedre delen av växelspakens hölje.
2. För att öka motståndet aningen: skruva medsols.
3. För att minska motståndet aningen: skruva motsols.



***Två fulla varv är nog för att gå från den ena ytterligheten till den andra.***



### **För att undvika att skada systemet:**

- Sluta dra åt skruven när du känner ett starkt motstånd.
- Sluta lossa på skruven om spaken börjar bli lös och ostadig.

# INSTALLATIONSANVISNINGAR FÖR SPELKONSOLER

## PLAYSTATION®4/PLAYSTATION®5

**Enligt PS4™/PS5™-spelet eller racingratten som du använder:**

**PS4™ = Anslut(\*) växelspaken TH8A direkt till USB-porten på PS4™**

- Anslut växelspaken TH8A:s DIN-kontakt till DIN/USB-kabeln.
- = Anslut växelspaken TH8A till någon av USB-portarna på din PS4™.
- Starta spelet.

**Växelspaken TH8A kan sedan användas med antingen växelplattan med H-mönster (7+1) eller den sekventiella (+/-) växelplattan.**

**Eller**

**PS4™/PS5™ = Anslut(\*) växelspaken TH8A direkt till basen på racingratten från Thrustmaster**

(gäller endast om din racingratt från Thrustmaster har en inbyggd växelspakskontakt)

- Anslut växelspaken TH8A:s DIN-kontakt till den löstagbara DIN/DIN-kabeln.
- Anslut växelspaken TH8A till växelspakskontakten på baksidan av racingrattens bas.
- Anslut din racingratt och starta sedan spelet.

**Växelspaken TH8A kan sedan användas med antingen växelplattan med H-mönster (7+1) eller den sekventiella (+/-) växelplattan.**

**(\*) Viktiga rekommendationer för PS4™/PS5™-systemet** (gäller endast om du använder en racingratt från Thrustmaster med inbyggd växelspakskontakt)

- **PS4™/PS5™:** När du använder växelspaken TH8A:s sekventiella (+/-) växelplatta kan du även ansluta växelspaken på baksidan av racingratten med hjälp av den löstagbara DIN/DIN-kabeln. Växelspaken TH8A ansluts sedan till växelplattorna UPP (= R1) och NER (= L1) på racingratten.

Med denna racingratt fungerar växelspaken TH8A:s sekventiella (+/-) växelplatta med 100 % av racingspelen för PS4™/PS5™ som är kompatibla med racingratten.

- **PS4™:** I vissa spel kan du använda två TH8A-växelspakar samtidigt:

- En TH8A-växelspak med en växelplatta med H-mönster (7+1) ansluten till USB-porten på PS4™
- + En TH8A-växelspak med en sekventiell (+/-) växelplatta ansluten till baksidan av racingratten

\* En lista med spel för PS4™/PS5™ som är kompatibla med växelspaken TH8A samt relevanta anslutningsanvisningar(\*) (vilka varierar beroende på spel) finns här:

<https://support.thrustmaster.com> Klicka på Racingrattar / TH8A Shifter, och välj sedan Inställningar för spel. Denna lista uppdateras regelbundet.

\* På PS4™-system rekommenderar vi att du inte använder en USB-hub när du ansluter racingratten eller växelspaken TH8A; anslut enheten direkt till USB-portarna på PS4™.

\* Vissa spel kräver att du installerar de senaste tillgängliga uppdateringarna för att växelspaken TH8A ska fungera korrekt (din spelkonsol måste vara ansluten till Internet).



## XBOX ONE/XBOX SERIES

= När det gäller Xbox One/Xbox Series-spel ska du alltid ansluta växelspaken TH8A direkt till basen på racingratten från Thrustmaster (ALDRIG till spelkonsolens USB-port).

- Anslut växelspaken TH8A:s DIN-kontakt till den löstagbara DIN/DIN-kabeln.

- Anslut växelspaken TH8A till växelspakskontakten på baksidan av racingrattens bas. - Anslut din racingratt och starta sedan spelet.

Växelspaken TH8A kan sedan användas med antingen växelplattan med H-mönster (7+1) eller den sekventiella (+/-) växelplattan.

### **Viktig information angående Xbox One/Xbox Series:**

När du använder växelspaken TH8A:s sekventiella (+/-) växelplatta är växelspaken ansluten till växelpladdarna UPP (= RB) och NER (= LB) på racingratten.

När du använder växelspaken TH8A:s sekventiella (+/-) växelplatta fungerar växelspaken TH8A med 100 % av racingspelen för Xbox One/Xbox Series som är kompatibla med racingratten från Thrustmaster för Xbox One/Xbox Series.

\* En lista med spel för Xbox One/Xbox Series som är kompatibla med växelspaken TH8A finns här:

<https://support.thrustmaster.com>. Klicka på Racingrattar / TH8A Shifter, och välj sedan Inställningar för spel. Denna lista uppdateras regelbundet.

\* Vissa spel kräver att du installerar de senaste tillgängliga uppdateringarna för att växelspaken TH8A ska fungera korrekt (din spelkonsol måste vara ansluten till Internet).



För att säkerställa att din racingratt från Thrustmaster för Xbox One/Xbox Series är kompatibel med växelspaken TH8A kan du behöva uppdatera racingrattens firmware med den senaste tillgängliga versionen via PC här: <https://support.thrustmaster.com>. Klicka på Racingrattar / TH8A Shifter, och välj sedan Firmware.

## INSTALLATIONSANVISNINGAR FÖR PC

### = När det gäller PC-spel(\*) ska du alltid ansluta växelspaken TH8A direkt till någon av USB-portarna på PC:n.

- Anslut växelspaken TH8A:s DIN-kontakt till DIN/USB-kabeln.
- Anslut växelspaken TH8A till någon av USB-portarna på din PC.
- När den ansluts till en PC är växelspaken TH8A en plug and play-enhet och upptäcks och installeras därför automatiskt.
- Enheten dyker sedan upp som "T500 RS Gear Shift" i Kontrollpanelen i Windows®.
- Klicka på Egenskaper för att testa och visa enhetens funktioner.
- Starta spelet.

### Nu är du redo att köra!

### (\*) Viktiga rekommendationer för PC (gäller endast om du använder en racingratt från Thrustmaster med inbyggd växelspakskontakt)

- När du använder växelspaken TH8A:s sekventiella (+/-) växelplatta kan du även ansluta växelspaken på baksidan av racingratten med hjälp av den löstagbara DIN/DIN-kabeln. Växelspaken TH8A ansluts sedan till växel paddlarna UPP (= 2) och NER (= 1) på racingratten. Med denna racingratt fungerar växelspaken TH8A:s sekventiella (+/-) växelplatta med 100 % av racingspelen för PC som är kompatibla med racingratten.

- I vissa spel kan du använda två TH8A-växelspakar samtidigt:

- En TH8A-växelspak med en växelplatta med H-mönster (7+1) ansluten till USB-porten på PC:n
- + En TH8A-växelspak med en sekventiell (+/-) växelplatta ansluten till baksidan av racingratten

\* På PC är växelspaken från Thrustmaster kompatibel med:

- alla spel som stödjer växelspakar och flera USB-enheter samtidigt.
- alla rattar på marknaden.

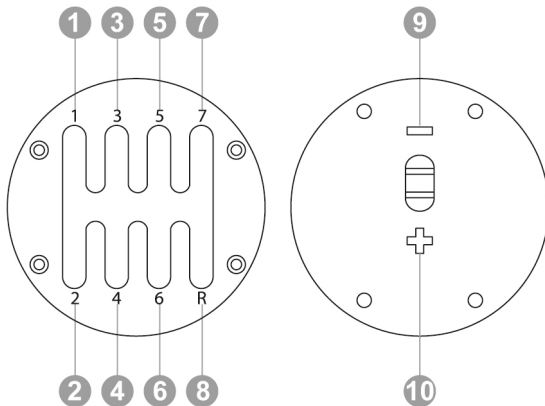
\* Vi rekommenderar att du ansluter din racingratt och växelspaken TH8A direkt till USB 2.0-portarna (inte USB 3.0) på din PC, utan att använda en hub.

\* När det gäller vissa PC-spel måste du installera de senaste tillgängliga speluppdateringarna för att växelspaken TH8A ska fungera som den ska.

\* När det gäller vissa PC-spel (för att undvika eventuella konflikter mellan rattens och växelspaken TH8A) kan det vara nödvändigt:

- att inte mappa något på rattens växelspakspaddlar.
- att aktivera funktionen "Hold button for gear".

## MAPPING PÅ PC



## PROGRAMVARUPAKET

Ett programvarupaket för PC finns här:

<https://support.thrustmaster.com>. Klicka på Racingrattar / TH8A Shifter, och välj sedan Drivrutiner.

- När du har installerat programvarupaketet kommer du att kunna:

- \* kontrollera växelspaken TH8A:s firmwareversion.
- \* uppdatera firmwares (vid behov) till den senaste tillgängliga versionen.
- \* använda "BOOTLOADER Method" (för att återställa din växelspak om firmwares skulle raderas).
- \* använda en anpassad kontrollpanel (spelkontroller) på PC.
- \* använda det ANALOGA läget (handbroms) på PC

## AVANCERAT KALIBRERINGSPROGRAM

Växelspaken TH8A:s kalibrering sköts automatiskt.

Det finns även ett avancerat kalibreringsprogram för PC här: <https://support.thrustmaster.com>. Klicka på Racingrattar / TH8A Shifter, och välj sedan Programvara. Där kan du justera växlingsavståndet som du vill.

När inställningarna är klara sparas de genast till det interna minnet (och kan användas på PS4™/PS5™, Xbox One/Xbox Series och PC).

## SAMMANFATTNING AV INSTRUKTIONERNA FÖR ANSLUTNING AV VÄXELSPAKEN TH8A TILL OLIKA SYSTEM

	Ansluta växelspaken TH8A
PS4™	<u>I enlighet med spelet eller racingratten (*)</u> : - Antingen direkt till PS4™/PS5™-systemet (USB) - Eller på baksidan av racingratten (DIN)
PS5™	Alltid på baksidan av racingratten (DIN)
XBOX ONE/XBOX SERIES	Alltid på baksidan av racingratten (DIN)
PC	Alltid(*) direkt till PC:n (USB)

(\*) För mer information om eventuella undantag, se avsnitten **Viktiga rekommendationer** på motsvarande sidor i bruksanvisningen.

### VARNING

\* Anslut aldrig växelspaken TH8A direkt till någon annan enhet än en racingratt från Thrustmaster, även om enheten har en identisk DIN-kontakt. Detta kan skada växelspaken TH8A eller den andra enheten.

### FELSÖKNING

\* Min växelspak fungerar inte som den ska eller verkar vara felkalibrerad:

- Stäng av datorn eller konsolen, fränkoppla växelspaken, anslut den igen och starta sedan om spelet.

- Välj eller konfigurera den mest lämpliga konfigurationen under "Options/Controller" i ditt spel.
- Se bruksanvisningen eller onlinehjälp för ditt spel för mer information.

- Olika hjälpämnen och tips (ingår inte i denna bruksanvisning), en lista med kompatibla spel, med mera, finns på webbplatsen <https://support.thrustmaster.com>. Klicka på Racingrattar / TH8A Shifter.

- På Xbox One/Xbox Series, för att säkerställa att din racingratt från Thrustmaster för Xbox One/Xbox Series är kompatibel med växelspaken TH8A kan du behöva uppdatera racingrattens firmware med den senaste tillgängliga versionen via PC här: <https://support.thrustmaster.com>. Klicka på Racingrattar / TH8A Shifter, och välj sedan Firmware.

## **GARANTIINFORMATION**

Guillemot Corporation S.A., med säte i Place du Granier, B.P. 97143, 35571 Chantepie, Frankrike (hädanefter "Guillemot") garanterar globalt för konsumenten att denna Thrustmaster-produkt ska vara fri från defekter i material och utförande, under en garantiperiod som motsvarar tidsgränsen för att vidta åtgärder mot Guillemot om konsumenten anser att produkten inte är fri från defekter i material och utförande. I länderna i Europeiska unionen motsvarar detta en period på två (2) år från leveransen av Thrustmaster-produkten. I andra länder motsvarar garantiperioden tidsgränsen för att vidta åtgärder mot Guillemot om konsumenten anser att Thrustmaster-produkten inte är fri från defekter i material och utförande enligt de lagar som gäller i landet där konsumenten var bosatt vid inköpsdatumet för Thrustmaster-produkten (om ingen sådan åtgärd existerar i det motsvarande landet ska garantiperioden vara ett (1) år från ursprungligt inköpsdatum av Thrustmaster-produkten).

Trots ovanstående omfattas laddningsbara batterier av en garantiperiod på sex (6) månader från ursprungligt inköpsdatum.

Om produkten skulle visa sig vara defekt under garantiperioden ska du genast kontakta tekniska supporten som då informerar om hur du går vidare. Om defekten bekräftas måste produkten returneras till inköpsstället (eller annat ställe angivet av tekniska supporten).

Inom ramen för denna garanti ska konsumentens defekta produkt, efter tekniska supportens gottfinnande, antingen ersättas eller repareras så att den fungerar. Om Thrustmaster-produkten under garantiperioden är föremål för sådan renovering, ska alla perioder på minst sju (7) dagar under vilka produkten inte kan användas läggas till återstående garantiperiod (denna period löper från det datum då konsumenten bad om service eller från det datum då produkten ifråga gjorts tillgänglig för reparation, om datumet då produkten gjorts tillgänglig för reparation ligger efter datumet då konsumenten bad om service). Om det är tillåtet enligt gällande lag är Guillemot och dess dotterbolags fulla ansvar (inklusive följdskador) begränsat till att reparera eller ersätta Thrustmaster-produkten. Om det är tillåtet enligt gällande lag fransäger sig Guillemot alla garantier för säljbarhet eller lämplighet för ett visst syfte.

Garantin gäller inte: (1) om produkten har modifierats, öppnats, ändrats eller skadats till följd av olämplig användning eller missbruk, försumlighet, olycka, normalt slitage eller annan orsak som inte är relaterad till material- eller tillverkningsfel (inklusive, men inte begränsat till, att kombinera Thrustmaster-produkten med någon olämplig del, i synnerhet nättaggregat, laddningsbara batterier, laddare, eller andra delar som Guillemot inte tillhandahåller för denna produkt); (2) om produkten har använts för annan användning än hemanvändning, inklusive för professionella eller kommersiella ändamål (t.ex. spelrum, träning, tävlingar); (3) om instruktionerna från teknisk support inte följs; (4) programvara, då programvaran har en egen garanti; (5) förbrukningsvaror (delar som byts ut under produktens livslängd: t.ex. engångsbatterier eller öronkuddar till headset eller hörlurar); (6) tillbehör (t.ex. kablar, fodral, påsar, väskor, handledsremmar); (7) om produkten såldes på e offentlig auktion.

Denna garanti är inte överlåtbar.

Konsumentens juridiska rättigheter med avseende på lagar som gäller för försäljning av konsumentvaror i hens land påverkas inte av denna garanti.

## **Ytterligare garantibestämmelser**

Under garantiperioden ska Guillemot i princip inte tillhandahålla några reservdelar eftersom teknisk support är den enda part med behörighet att öppna och/eller renovera Thrustmasters produkter (med undantag för renoveringar som teknisk support ber konsumenten att utföra med hjälp av skriftliga instruktioner – till exempel om renoveringen är enkel och ej konfidentiell – och genom att i gällande fall förse konsumenten med de reservdelar som behövs).

Med tanke på dess innovationscykler och för att skydda dess kunskaper och affärshemligheter, ska Guillemot i princip inte tillhandahålla några renoveringsinstruktioner eller reservdelar för någon Thrustmaster-produkt vars garantiperiod har löpt ut.

I USA och Kanada är denna garanti begränsad till produktens interna mekanism och externa hölje. Guillemot eller dess dotterbolag ska under inga omständigheter hållas ansvariga av tredje part vad gäller eventuella följdskador eller oförutsedda skador som uppstår till följd av brott mot uttryckliga eller underförstådda garantier. Vissa delstater/provinser tillåter inte att man begränsar hur länge en underförstådd garanti varar eller att man utesluter eller ansvarsbegränsar följdskador eller oförutsedda skador, så ovanstående begränsningar eller uteslutningar kanske inte gäller dig. Denna garanti ger dig specifika juridiska rättigheter, och du kan också ha andra rättigheter som varierar från delstat till delstat eller provins till provins.

## **Ansvar**

Om det är tillåtet enligt gällande lag fränsäger sig Guillemot Corporation S.A. (hädanefter "Guillemot") och dess dotterbolag allt ansvar för eventuella skador orsakade av följande: (1) produkten har modifierats, öppnats eller ändrats; (2) underlåtenhet att följa monteringsanvisningarna; (3) olämplig användning eller missbruk, försumlighet, en olycka (t.ex. att produkten tappas); (4) normalt slitage; (5) produkten har använts för annan användning än hemanvändning, inklusive för professionella eller kommersiella ändamål (t.ex. spelrum, träning, tävlingar). Om det är tillåtet enligt gällande lag fränsäger sig Guillemot och dess dotterbolag allt ansvar för eventuella skador som inte är relaterade till material- eller tillverkningsfel när det gäller produkten (inklusive, men inte begränsat till, skador som direkt eller indirekt orsakats av någon programvara eller genom att kombinera Thrustmaster-produkten med någon olämplig del, i synnerhet nätaggregat, laddningsbara batterier, laddare, eller andra delar som Guillemot inte tillhandahåller för denna produkt).

## UPPHOVS RÄTTSSKYDD

© 2021 Guillemot Corporation S.A. Med ensamrätt. Thrustmaster® är ett registrerat varumärke som tillhör Guillemot Corporation S.A. PlayStation® är ett registrerat varumärke som tillhör Sony Interactive Entertainment Inc. Windows® är ett registrerat varumärke som tillhör Microsoft Corporation i USA och/eller i andra länder. Alla andra varumärken tillhör sina respektive ägare. Illustrationer är inte bindande. Innehåll, konstruktion och specifikationer kan ändras utan föregående meddelande och kan variera från land till land. Tillverkad i Kina.

## MILJÖSKYDD



\* I Europeiska unionen: När produkten har slutat fungera ska den inte slängas i vanligt hushållsavfall, utan kasseras vid en uppsamlingsplats för bortskaffandet av elektriskt och elektroniskt avfall (WEEE) för återvinning. Detta bekräftas av symbolen på produkten, bruksanvisningen eller förpackningen. Beroende på dess egenskaper kan materialet kanske återvinnas. Genom återvinning och andra sätt att hantera elektriskt och elektroniskt avfall kan du göra ett viktigt bidrag till att hjälpa till att skydda miljön.

Kontakta dina lokala myndigheter för information om uppsamlingsplatsen som är närmast dig. För alla andra länder: Följ lokala återvinningslagar för elektriskt och elektroniskt avfall.

Behåll denna information. Färger och dekorationer kan variera.

Plastfästen och lim/klister/tejp bör avlägsnas från produkten innan den används.

[www.thrustmaster.com](http://www.thrustmaster.com)

\*Gäller endast EU, Storbritannien och Turkiet



**THRUSTMASTER®**

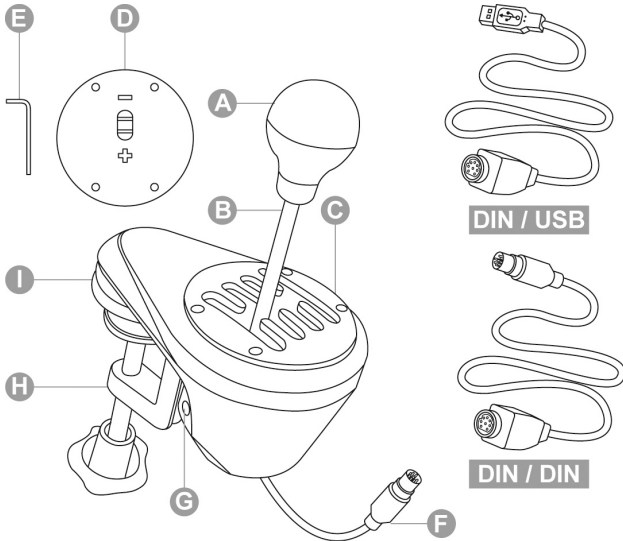
**TEKNISK SUPPORT**

<https://support.thrustmaster.com>





## PlayStation®4/PlayStation®5 – Xbox One/Xbox Series – PC Käyttöohje



### TEKNISET OMINAISUUDET

**A** Irrotettava vaihdekepin nuppi  
(ei valmiiksi asennettu)

**B** Sauva

**C** Säädettävä "H-kuvio (7+1)" -vaihtelevy  
(valmiiksi asennettu)

**D** Säädettävä "Sekventaali (+/-)" -vaihtelevy  
(ei valmiiksi asennettu)

**E** 2,5 mm kuusiokoloavain (mukana)

**F** Kaapeli ja DIN-liitin

**G** Sisäinen kiristysruuvi

**H** Säädettävä kiinnitysjärjestelmä

**I** "Ruuvikolot" ohjaamoon asennusta varten

**DIN/USB** Irrotettava DIN/USB-kaapeli

**DIN/DIN** Irrotettava DIN/DIN-kaapeli



## VAROITUS

Ennen kuin käytät tätä tuotetta, lue tämä käyttöohje. Sästä tämä käyttöohje myöhempää tarvetta varten.



### **Varoitus – sähköiskun vaara**

- \* Pidä tämä tuote kuivassa paikassa, älä altista sitä pölylle tai auringonvalolle.
- \* Noudata liitinten kiinnittämisohjeita.
- \* Älä väännä tai vedä liittimiä tai kaapeleita
- \* Älä kaada nestettä tuotteen tai sen liittimen päälle.
- \* Älä aiheuta tuotteelle oikosulkua.
- \* Älä pura tätä tuotetta (pois lukien tässä käyttöohjeessa esitetyt mahdolliset säätötoimet), älä yritä polttaa tuotetta ja älä altista tuotetta korkeille lämpötiloille.



### **Varoitus – toistuvan liikkeen aiheuttamat vammat**

Vaihteen kanssa pelaaminen voi johtaa lihas- ja nivelsärkyihin. Jotta vältät mahdolliset ongelmat:

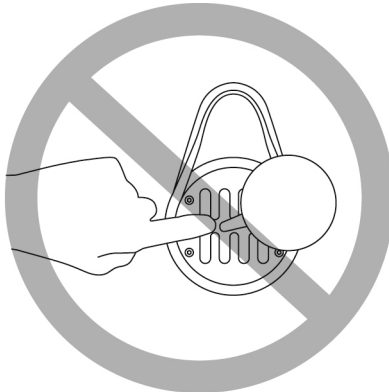
- \* Vältä pitkäkestoista pelaamista.
- \* Vietä 10–15 minuutin tauko jokaisen pelitunnin jälkeen.
- \* Mikäli kätesi, ranteesi tai käsivartesi tuntuu väsyneeltä tai kipeältä, lopeta pelaaminen ja lepää muutaman tunnin ajan ennen uudelleen aloittamista.
- \* Mikäli oireet tai kivut jatkuvat peliä jatkaessasi, lopeta pelaaminen ja kysy neuvoa lääkäriltä.
- \* Varmista, että vaihteiston jalusta on kiinnitetty oikein tässä käyttöohjeessa kuvaillulla tavalla.



### **Varoitus – puristusvaara vaihdelevyn aukoissa**

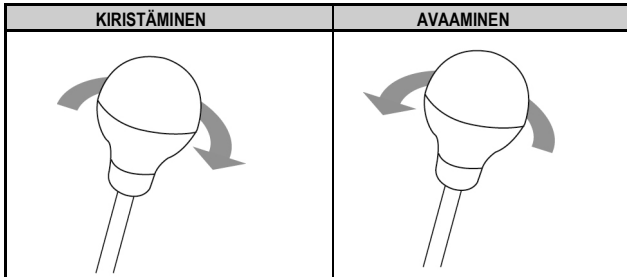
- \* Pidä lasten ulottumattomissa.
- \* Kun pelaat peliä, älä koskaan aseta sormiasi (tai muita ruumiinosia) vaihdelevyn aukkoihin.

**EI KOSKAAN**



## VAIHDEKEPIN NUPIN ASENNUS

1. Ruuvaa vaihdekepin nuppi **(A)** sauvaan **(B)** kääntämällä vaihdekepin nuppia myötäpäivään.
2. Avaa vaihdekepin nuppi kääntämällä nuppia vastapäivään.



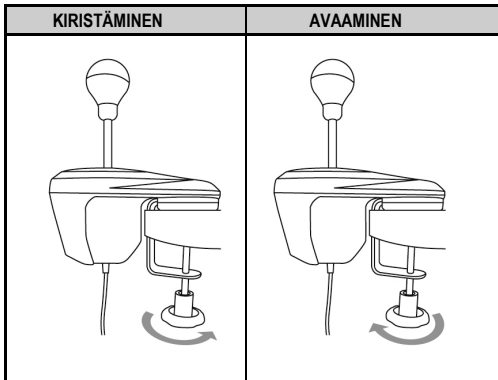
## VAIHTEISTON KINNITYS

Kiinnitys on optimoitu kaikäntyyppisille tulle:

- 1–55 mm paksut **pöydät** tai **hyllyt** kiinnitysjärjestelmän avulla **(H)**.
- **Ohjaamot** sisäänrakennetuilla "ruuvikoloilla" (kiinnitysjärjestelmä on irrotettavissa).

### Vaihteiston kiinnitys pöytään

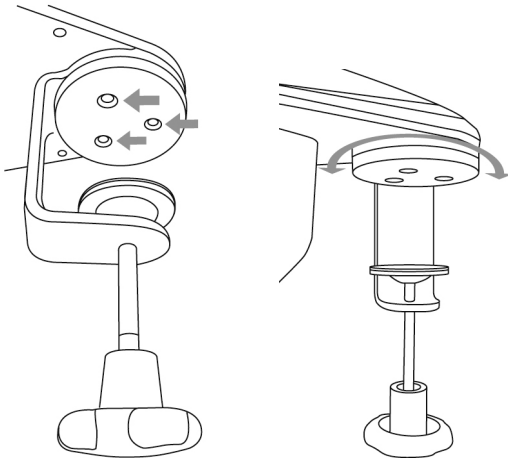
1. Aseta vaihteiston nokka pöydälle tai tasaiselle pinnalle.
2. Kiristys: käännä kiinnitysrullaa vastapäivään.
3. Avaus: käännä kiinnitysrullaa myötäpäivään.



## Kiinnitysjärjestelmän asento ja suunta (säädettävissä 360°)

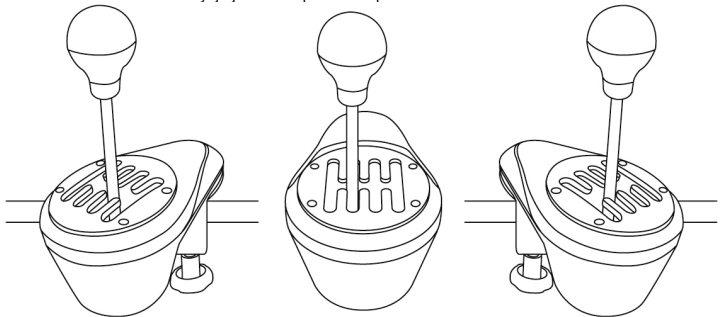
1. Avaa mukana tulevaa 2,5 mm kuusiokoloavainta (E) käyttämällä kolme kiinnitysjärjestelmää (H) paikallaan pitävää ruuvia **todella vähän**.

Kiinnitysjärjestelmää (eli siis koko vaihteistoa) voidaan nyt kääntää käsin 360°.



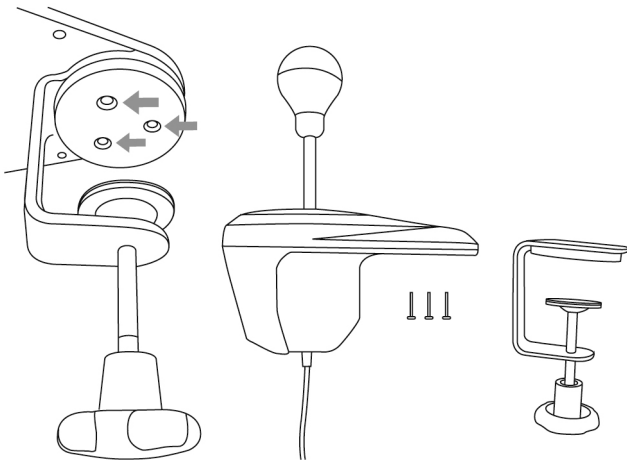
2. Valitse haluamasi asento 360° matkalta (alla esitetään kolme vaihtoehtoa monien muiden saatavilla olevien lisäksi).

Kiristä sitten kolme kiinnitysjärjestelmää paikallaan pitävää ruuvia uudelleen.

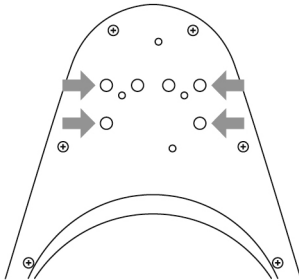


## Vaihteiston kiinnitys ohjaamoon

1. Avaa mukana tulevaa 2,5 mm kuusiokoloavainta (**E**) käyttämällä kolme kiinnitysjärjestelmää (**H**) paikallaan pitävää ruuvia **täysin ja poista ne**. Irrota kiinnitysjärjestelmä vaihteistosta.



2. Kun kiinnitysjärjestelmä on poistettu, kiinnitä kaksi M6-ruuvia (ei mukana) ohjaamon hyllylle ja kahteen neljästä pienestä "ruuvikolosta" (**I**), jotka löytyvät vaihteiston nokan alaosasta.



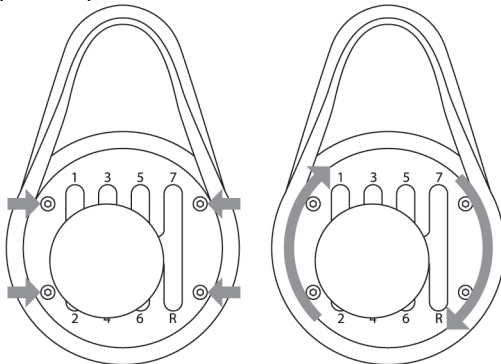
**Varmista, ettet käytä liian pitkiä M6-ruuveja, jotka saattavat läpäistä ja vahingoittaa vaihteiston nokan yläosaa.**

**Vaihteiston kiinnitysmalli ohjaamoja varten löytyy osoitteesta**  
<https://support.thrustmaster.com>. Valitse Racing Wheels / TH8A Shifter ja sitten Manual.

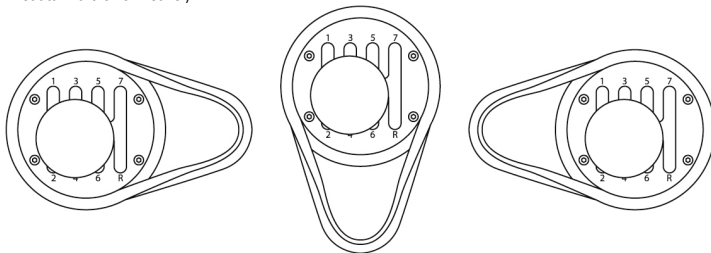
## VAIHDELEVYJEN ASENTO JA SUUNTA (SÄÄDETTÄVISSÄ 360°)

1. Avaa mukana tulevaa 2,5 mm kuusiokoloavainta (**E**) käyttämällä neljä vaihdelevyä (**C tai D**) paikallaan pitävää ruuvia **hieman**.

Vaihdelevyä voidaan nyt kääntää käsin 360°.



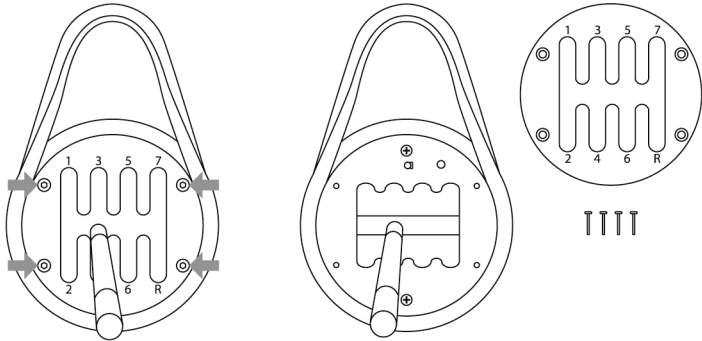
2. Valitse haluamasi asento 360° matkalta (alla esitetään kolme vaihtoehtoa monien muiden saatavilla olevien lisäksi).



3. Kiristä neljä vaihdelevyä paikallaan pitävää ruuvia uudelleen.

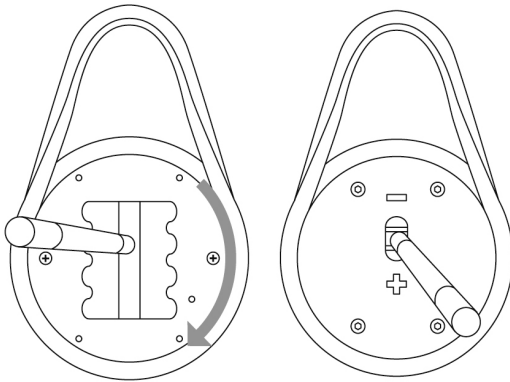
## "H-KUVIO (7+1)" -VAIHDELEVYN VAIHTAMINEN "SEKVENTAALI (+/-)" -VAIHDELEVYYN

1. Avaa (vastapäivään) ja poista vaihdekepin nuppi (A).
2. Avaa mukana tulevaa 2,5 mm kuusiokoloavainta (E) käyttämällä neljä "H-kuvio (7+1)" -vaihtelevyä paikallaan pitävää ruuvia **täysin ja poista ne**. Poista vaihtelevy.

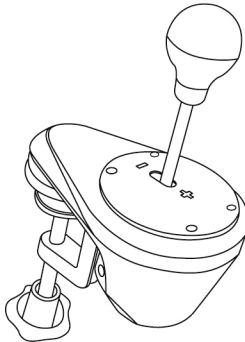


**Ole toimenpiteen aikana tarkkana, ettet vahingossa pudota yhtään ruuvia mekanismin sisälle.**

3. Käännä sisäistä mekanismia käsin 90° oikealle (myötäpäivään).  
Asenna seuraavaksi "Sekventaali (+/-)" -vaihtelevy.

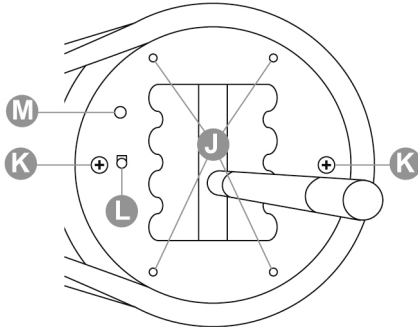


4. Kiinnitä mukana tulevaa 2,5 mm kuusiokoloavainta (E) käyttämällä neljä "Sekventaali (+/-)" -vaihtelevyä paikallaan pitävää ruuvia täysin. Kiinnitä vaihdekepin nuppi takaisin (myötöpäivään).



***Toista tämä toimintaohje toisinpäin vaihtaaksesi "H-kuvio (7+1)" -vaihtelevyyn.***

## Sisämekanismin kannen huomiot:



**J:** Neljä "ruuvikoloa" vaihtelevyjen kiinnittämistä varten (**C tai D**).

**K:** Kaksi sisäisen mekanismin paikallaan pitämiseen käytettyä ruuvia (älä avaa).

**L:** Painike tunnistaa automaattisesti käytetyn vaihtelevyn (**C tai D**). Sitä painetaan **automaattisesti**, kun "Sekventaali (+/-)" -vaihtelevy asennetaan. Pidä tämä alue puhtaana välttääksesi tunnistusongelmat.

**M:** Vaihtelevyjen asemointia helpottava kolo.



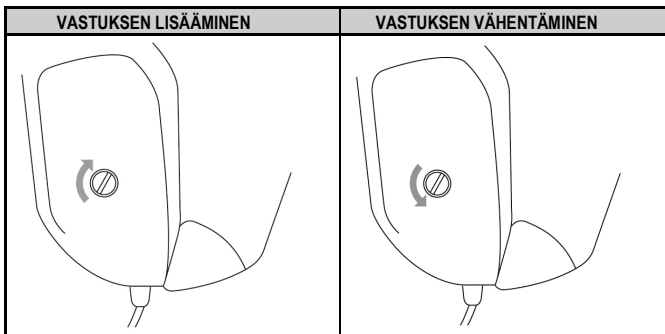
## VAIHTEEN VASTUKSEN SÄÄTÖ

\* Pätee vain "H-kuvio (7+1)" -vaihtelevyyn.

\* "H-kuvio (7+1)" -vaihtelevyn **täytyy** olla ennen säätöjen tekemistä asennettuna alkuperäiseen asentoonsa (katso alla olevaa kuvaa).



1. Aseta iso talttapääruuvimeisseli sisäisen kiristysruuvin (G) päähän, joka löytyy vaihteistokotelon vasemmasta alaosasta.
2. Lisää vastusta hieman: käännä ruuvia myötäpäivään.
3. Vähennä vastusta hieman: käännä ruuvia vastapäivään.



**Kaksi täyttä kierrosta riittää ääripäästä toiseen siirtymiseen.**



**Jotta et vahingoita järjestelmää:**

- Lopeta kiristäminen, kun tunnet vahvan vastuksen.
- Lopeta avaaminen, jos sauva muuttuu löysäksi ja heiluvaksi.

# ASENNUSOHJEET PELIKONSOLEILLE

## PLAYSTATION®4/PLAYSTATION®5

**Käyttämäsi PS4™/PS5™-pelin tai rattiohjaimen mukaan:**

**PS4™ = Yhdistä (\*) TH8A-vaihteisto suoraan PS4™:n USB-porttiin**

- Yhdistä TH8A-vaihteiston DIN-liitin DIN/USB-kaapeliin.
- Yhdistä TH8A-vaihteisto yhteen PS4™:n USB-porteista.
- Käynnistä peli.

**TH8A-vaihteistoa voidaan käyttää sen jälkeen joko H-KUVIO (7+1)- tai SEKVENTAALI (+/-) -vaihdelyvällä.**

**Tai**

**PS4™/PS5™ = Yhdistä (\*) TH8A-vaihteisto suoraan Thrustmaster-rattiohjaimen jalustaan (käytettävissä ainoastaan sisäänrakennetun vaihteistoliittimen sisältävillä Thrustmaster-rattiohjaimilla)**

- Yhdistä TH8A-vaihteiston DIN-liitin irrotettavaan DIN/DIN-kaapeliin.
- Yhdistä TH8A-vaihteisto rattiohjaimen jalustan takana olevaan vaihteistoliittimeen.
- Yhdistä rattiohjain ja käynnistä peli.

**TH8A-vaihteistoa voidaan käyttää sen jälkeen joko H-KUVIO (7+1)- tai SEKVENTAALI (+/-) -vaihdelyvällä.**

**(\*) Tärkeät suositukset PS4™/PS5™-järjestelmälle (käytettävissä ainoastaan sisäänrakennetun vaihteistoliittimen sisältävillä Thrustmaster-rattiohjaimilla)**

- **PS4™/PS5™:** Kun TH8A-vaihteiston SEKVENTAALI (+/-) -vaihdelyvy on käytössä, voit yhdistää vaihteiston rattiohjaimen taakse myös irrotettavaa DIN-/DIN-kaapelia käyttämällä. TH8A-vaihteisto kiinnitetään silloin rattiohjaimen YLÖS (= R1)- ja ALAS (= L1) -vaihdelyvipuihin. TH8A-vaihteiston Sekventaali (+/-) -vaihdelyvy toimii silloin täysin kaikissa PS4™/PS5™:n kilpa-ajopeleissä, jotka ovat rattiohjaimen kanssa yhteensopivia.

- **PS4™ :** Osa peleistä mahdollistaa kahden TH8A-vaihteiston samanaikaisen käytön:  
yksi TH8A-vaihteisto H-KUVIO (7+1) -vaihdelyvällä yhdistettynä PS4™:n USB-porttiin  
+ yksi TH8A-vaihteisto SEKVENTAALI (+/-) -vaihdelyvällä yhdistettynä rattiohjaimen taakse

\* Lista TH8A-vaihteiston kanssa yhteensopivista PS4™/PS5™-peleistä niihin liittyvine yhdistysohjeineen (\*) (jotka saattavat vaihdella pelistä toiseen) löytyy täältä: <https://support.thrustmaster.com>. Valitse Racing Wheels / TH8A Shifter ja sitten Games settings. Listaa päivitetään säännöllisesti.

\* Suosittelemme, ettet käytä PS4™-järjestelmillä USB-hubia rattiohjaimen tai TH8A-vaihteiston yhdistämiseen; yhdistä laite suoraan PS4™:n USB-porttiin.

\* Osa peleistä vaatii viimeisimpien saatavilla olevien päivitysten asennuksen, jotta TH8A-vaihteisto toimii oikein (pelikonsolein täytyy olla yhdistetty verkkoon).

## XBOX ONE/XBOX SERIES

= Yhdistä TH8A-vaihteisto kaikkien Xbox One/Xbox Series -pelien kanssa suoraan Thrustmaster-rattiohjaimen jalustaan (ÄLÄ IKINÄ pelikonsolin USB-porttiin).

- Yhdistä TH8A-vaihteiston DIN-liitin irrotettavaan DIN/DIN-kaapeliin.

- Yhdistä TH8A-vaihteisto rattiohjaimen jalustan takana olevaan vaihteistoliittimeen.

- Yhdistä rattiohjain ja käynnistä peli.

TH8A-vaihteistoa voidaan käyttää sen jälkeen joko H-KUVIO (7+1)- tai SEKVENTAALI (+/-) -vaihtelevyllä.

### **Tärkeä huomautus Xbox One/Xbox Seriessta:**

Kun TH8A-vaihteistoa käytetään SEKVENTAALI (+/-) -vaihtelevyllä, vaihteisto kiinnitetään rattiohjaimen YLÖS (= RB)- ja ALAS (= LB) -vaihevipuihin.

Kun TH8A-vaihteiston Sekventaali (+/-) -vaihtelevy on käytössä, TH8A-vaihteisto toimii täysin kaikissa Xbox One/Xbox Seriesn kilpa-ajopeleissä, jotka ovat Xbox One/Xbox Serieslla yhteensopivia Thrustmaster-rattiohjaimen kanssa.

\* Lista TH8A-vaihteiston kanssa yhteensopivista Xbox One/Xbox Series -peleistä löytyy täältä:

<https://support.thrustmaster.com>. Valitse Racing Wheels / TH8A Shifter ja sitten Games settings. Listaa päivitetään säännöllisesti.

\* Osa peleistä vaatii viimeisimpien saatavilla olevien päivitysten asennuksen, jotta TH8A-vaihteisto toimii oikein (pelikonsolin täytyy olla yhdistetty verkkoon).



Jotta Xbox One/Xbox Seriesn Thrustmaster-rattiohjaimen yhteensopivuus voidaan varmistaa TH8A-vaihteiston kanssa, joudut ehkä päivittämään rattiohjaimen laiteohjelmiston PC:n kautta uusimpaan versioon: <https://support.thrustmaster.com>. Valitse Racing Wheels / TH8A Shifter ja sitten Firmware.

## ASENNUSOHJEET PC-TIETOKONEELLE

### = Yhdistä TH8A-vaihteisto kaikkien PC-pelien kanssa suoraan PC:n USB-porttiin.

- Yhdistä TH8A-vaihteiston DIN-liitin DIN/USB-kaapeliin.
- Yhdistä TH8A-vaihteisto yhteen PC:n USB-porteista.
- PC:hen yhdistetty TH8A-vaihteisto on Plug & Play -laite, joka tunnustetaan ja asennetaan automaattisesti.
- Laite löytyy Windows®-käyttöjärjestelmän ohjauspaneelista nimellä T500 RS Gear Shift.
- Valitse Ominaisuudet testataksesi ja selataksesi laitteen ominaisuuksia.
- Käynnistä peli.

**Olet nyt kisavalmis!**

### (\* **Tärkeät suositukset PC:lle** (käytettävissä ainoastaan sisäänrakennetun vaihteistoliittimen sisältävillä Thrustmaster-rattiohjaimilla)

- Kun TH8A-vaihteiston **SEKVENTAALI (+/-) -vaihtelevy on käytössä, voit yhdistää vaihteiston rattiohjaimen taakse myös irrotettavaa DIN/DIN-kaapelia käyttämällä.** TH8A-vaihteisto kiinnitetään silloin rattiohjaimen YLÖS (= 2)- ja ALAS (= 1) -vaihdvipuihin. TH8A-vaihteiston Sekventaali (+/-) -vaihtelevy toimii tämän rattiohjaimen kanssa täysin kaikissa PC:n kilpa-ajopeleissä, jotka ovat rattiohjaimen kanssa yhteensopivia.
- Osa peleistä mahdollistaa **kahden TH8A-vaihteiston samanaikaisen käytön:**
  - yksi TH8A-vaihteisto H-KUVIO (7+1) -vaihtelevyillä yhdistettynä PC:n USB-porttiin
  - + yksi TH8A-vaihteisto SEKVENTAALI (+/-) -vaihtelevyillä yhdistettynä rattiohjaimen taakse

\* Thrustmaster-vaihteisto on PC:llä yhteensopiva:

- kaikkien MULTI-USB-yhteyttä ja vaihteistoja tukevien pelien kanssa
- kaikkien markkinoilla olevien rattien kanssa.

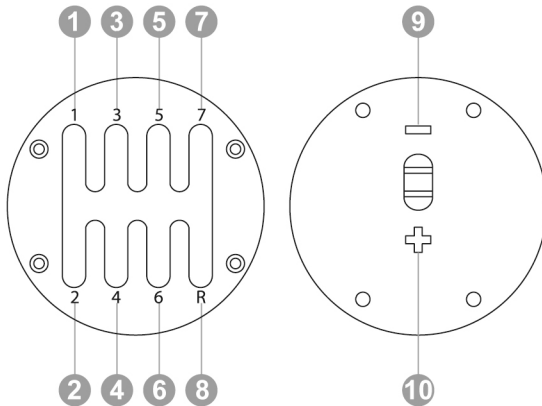
\* Suosittelemme, että yhdistät rattiohjaimen ja TH8A-vaihteiston suoraan PC:n USB 2.0 -porttiin (ei USB 3.0) USB-hubia käyttämättä.

\* Jotkut PC-pelit **vaativat** viimeisimpien pelipäivitysten asennuksen, jotta TH8A-vaihteisto toimii oikein.

\* Joidenkin PC-pelien kohdalla (välttääksesi ristiriidat ratin ja TH8A-vaihteiston välillä) saattaa olla tarpeen:

- jättää ratin vaihddeviivut ilman määräytyksiä
- ottaa "Hold button for gear" -toiminto käyttöön.

## MÄÄRITTELY PC:LLÄ



## OHJELMISTOPAKETTI

PC:n ohjelmistopakettin saa täältä:

<https://support.thrustmaster.com>. Valitse Racing Wheels / TH8A Shifter ja sitten Drivers.

- Ohjelmistopakettin asennettuasi voit:

- \* tarkistaa TH8A-vaihteiston laiteohjelmiston version
- \* päivittää laiteohjelmiston (mikäli tarpeellista) viimeisimpään saatavilla olevaan versioon
- \* käyttää BOOTLOADER Method -toimintoa (vaihteiston palautus laiteohjelmiston kadotessa)
- \* käyttää PC:llä muokattua ohjauspaneelia (peliohjain)
- \* nauttia PC:llä ANALOG-tilasta (käsijarru).

## EDISTYNYT KALIBROINTISOVELLUS

TH8A-vaihteiston kalibrointi suoritetaan automaattisesti.

Edistynyt kalibrointisovellus on saatavilla PC:lle täältä: <https://support.thrustmaster.com>. Valitse Racing Wheels / TH8A Shifter ja sitten Software. Voit säätää sen avulla vaihteiston liikkumismatkan haluamallasi tasolle.

Kun asetukset ovat valmiit, ne tallennetaan automaattisesti vaihteiston sisäiseen muistiin (käytettävissä PS4™/PS5™:llä, Xbox One/Xbox Serieslla ja PC:llä).

## YHTEENVETO TH8A-VAIHEISTON YHDISTÄMISESTÄ ERI JÄRJESTELMIIN

	Yhdistä TH8A-vaihteisto
PS4™	Pelin tai rattiohjaimen mukaan (*): - joko suoraan PS4™/PS5™-järjestelmään (USB) - tai rattiohjaimen jalustan takaosaan (DIN)
PS5™	Aina rattiohjaimen jalustan takaosaan (DIN)
XBOX ONE/XBOX SERIES	Aina rattiohjaimen jalustan takaosaan (DIN)
PC	Aina (*) suoraan PC:hen (USB)

(\*) Lisää tietoa poikkeustapauksista saa käyttöohjeen asiaan kuuluvien sivujen **Tärkeät suositukset** -osioista.

### VAROITUS

\* Älä koskaan yhdistä TH8A-vaihteistoa suoraan mihinkään muuhun laitteeseen kuin Thrustmaster-rattiohjaimen, vaikka kyseinen laite sisältäisi identtisen DIN-liittimen. Se voi vahingoittaa TH8A-vaihteistoa tai toista laitetta.

### ONGELMANRATKAISU

\* Vaihteistoni ei toimi oikein tai se vaikuttaa väärin kalibroidulta:

- Sammuta tietokone tai konsoli, irrota vaihteisto, yhdistä se uudelleen ja käynnistä peli.
- Valitse tai aseta sopivimmat asetukset pelin Options/Controller (Asetukset/Ohjain) -valikoissa.
- Lisää tietoa löytyy pelisi käyttöohjeesta tai verkosta.

- Erilaisia ohjeita sekä vinkkejä (eivät sisälly tähän käyttöohjeeseen), lista yhteensopivista peleistä jne. on saatavilla osoitteesta <https://support.thrustmaster.com>. Valitse Racing Wheels / TH8A Shifter.

- Jotta Thrustmaster-rattiohjaimen yhteensopivuus voidaan varmistaa Xbox One/Xbox Serieslla TH8A-vaihteiston kanssa, joudut ehkä päivittämään rattiohjaimen laiteohjelmiston PC:n kautta uusimpaan versioon: <https://support.thrustmaster.com>. Valitse Racing Wheels / TH8A Shifter ja sitten Firmware.

## KULUTTAJAN TAKUUTIEDOT

Maailmanlaajuinen, Guillemot Corporation S.A., jonka rekisteröity toimisto sijaitsee osoitteessa Place du Granier, B.P. 97143, 35571 Chantepie, France (tästä eteenpäin "Guillemot"), takaa asiakkaalle, että tämä Thrustmaster-tuote on materiaaleista ja työn laadusta johtuvista vioista vapaa takuujan verran. Kaikki toimet sen noudattamiseksi on nostettava tämän aikarajan sisällä. Euroopan Union jäsenvaltioissa se vastaa kahta (2) vuotta Thrustmaster-tuotteen toimituksesta. Muissa maissa takuu-aika vastaa Thrustmaster-tuotteen noudattamisvaatimusten aikarajaa sen maan asiaankuuluvien lakien mukaisesti, jonka asukas kuluttaja oli Thrustmaster-tuotteen ostopäivänä (mikäli kyseisessä maassa ei ole tällaisia vaatimuksia, takuujan kesto on yksi (1) vuosi Thrustmaster-tuotteen ostopäivästä).

Yllä olevasta huolimatta ladattavilla akuilla on kuuden (6) kuukauden takuu ostopäivästä lähtien.

Mikäli tuote vaikuttaa takuujan aikana vialliselta, ota välittömästi yhteyttä tekniseen tukeen, joka kertoo noudeettavista toimenpiteistä. Jos vika vahvistetaan, tuote täytyy palauttaa sen ostopaikkaan (tai muuhun teknisen tuen osoittamaan paikkaan).

Tämän takuun puitteissa kuluttajan viallinen tuote joko korvataan uudella tai palautetaan toimintakuntoon teknisen tuen valinnan mukaan. Jos takuujan aikana Thrustmaster-tuotteelle tehdään korjaustoimia, mikä tahansa vähintään seitsemän (7) päivää kestänyt jakso, jolloin tuote ei ole käytettävissä, lisätään jäljellä olevaan takuu-aikaan (jakso alkaa siitä päivästä, kun asiakas pyytää tukitoimia tai kun kyseessä oleva tuote luovutetaan korjattavaksi, mikäli korjaukseen luovuttamisen päivämäärä on myöhäisempi kuin tukitoimipyynnön). Mikäli asiaankuuluva laki sen sallii, Guillemotin ja sen tytäryhtiöiden täysi vastuuvollisuus (mukaan lukien välilliset vahingot) rajoittuvat Thrustmaster-tuotteen toiminnan palauttamiseen tai sen korvaamiseen uudella. Mikäli asiaankuuluva laki sen sallii, Guillemot kiistää kaikki takuut tuotteen myytyvyydestä tai sopivuudesta tiettyyn tarkoitukseen.

Tämä takuu ei ole voimassa: (1) mikäli tuotetta on muokattu, avattu, muunneltu tai se on kärsinyt vahinkoa epäasiallisen tai huonon käytön, huolimattomuuden, onnettomuuden, tavallisen kulumisen tai minkä tahansa muun syyn johdosta, joka ei liity materiaali- tai valmistusvirheisiin (mukaan lukien, mutta rajoittumatta, Thrustmaster-tuotteen yhdistäminen epäsoveliaan osan kanssa, erityisesti virtalähteet, ladattavat akut, laturit tai muut tuotteet, joita Guillemot ei ole toimittanut tälle tuotteelle); (2) mikäli tuotetta on käytetty missä tahansa muussa kuin kotikäytössä, mukaan lukien ammattimaisessa tai kaupallisessa käytössä (esim. pelihuoneet, koulutus ja kilpailut); (3) mikäli vian ilmetessä teknisen tuen ohjeita ei ole noudatettu; (4) ohjelmistojen kohdalla, kyseisellä ohjelmistolla on erillinen takuu; (5) käyttöesineiden kohdalla (tuotteen eliniän aikana vaihdettavat osat: esim. kertakäyttöiset paristot, kuulokkeet tai kuuloketyyny); (6) lisälaitteiden kohdalla (esim. kaapelit, kotelot, pussit, laukut ja rannekkeet); (7) mikäli tuote myytiin julkisessa huutokaupassa.

Tätä takuuta ei voi siirtää.

Tämä takuu ei vaikuta kuluttajan laillisiin oikeuksiin hänen maassaan, mitä tulee kuluttajatuotteiden myyntiin.

## **Ylimääräiset takuehdot**

Takuuajan aikana Guillemot ei lähtökohtaisesti tarjoa varaosia, sillä tekninen tuki on ainoa osapuoli, joka on valtuutettu avaamaan ja/tai korjaamaan Thrustmaster-tuotteita (pois lukien sellaiset korjaustoimet, joita tekninen tuki saattaa pyytää kuluttajaa tekemään kirjallisten ohjeiden kautta – esimerkiksi korjaustoimen yksinkertaisuuden ja salassapitotarpeiden puuttumisen vuoksi – ja toimittamalla kuluttajalla vaadittavat varaosat, jos ne ovat tarpeellisia).

Innovaatiosykleistä johtuen ja suojellakseen tietotaitoaan sekä liikesalaisuuksiaan Guillemot ei lähtökohtaisesti tarjoa mitään tai varaosia Thrustmaster-tuotteille, joiden takuu-aika on umpeutunut. Yhdysvalloissa ja Kanadassa tämä takuu rajoittuu tuotteen sisäisiin mekanismeihin ja ulkoisiin koteloihin. Guillemotia ja sen osakkuusyhtiötä ei missään tilanteessa saa pitää vastuuvollisena kolmannelle osapuolelle välillisistä tai satunnaisista vahingoista, jotka ovat johtuneet nimenomaisten tai epäsuorien takuiden rikkomuksesta. Jotkin osavaltiot/provinssit eivät salli rajoituksia epäsuorien takuiden keston tai korvausvelvollisuuden rajauksia tai rajoituksia välillisissä tai satunnaisissa vahingoissa, joten yllä olevat rajoitukset ja rajaukset ei välttämättä päde kohdallasi. Tämä takuu antaa sinulle tiettyjä laillisia oikeuksia, ja sinulla saattaa olla muita osavaltioista (tai maasta tai provinssista) riippuvia oikeuksia.

## **Vastuuvollisuus**

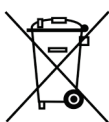
Mikäli asiaankuuluva laki sen sallii, Guillemot Corporation S.A. (tästä eteenpäin "Guillemot") ja sen tytäryhtiöt kiistävät vastuunsa kaikista vahingoista, jotka johtuvat yhdestä tai useammasta seuraavasta: (1) tuotetta on muokattu, avattu tai muunneltu; (2) kokoamisohjeita ei ole noudatettu; (3) epäasiallisen tai huonon käytön, huolimattomuuden tai onnettomuuden (esim. isku) johdosta; (4) tavallisen kulumisen johdosta; (5) tuotetta on käytetty missä tahansa muussa kuin kotikäytössä, mukaan lukien ammattimaisessa tai kaupallisessa käytössä (esim. pelihuoneet, koulutus ja kilpailut). Mikäli asiaankuuluva laki sen sallii, Guillemot ja sen tytäryhtiöt kiistävät vastuunsa kaikista vahingoista, jotka eivät liity tuotteen materiaali- tai valmistusvirheisiin (mukaan lukien, mutta rajoittumatta, ohjelmiston suoraan tai epäsuoraan aiheuttamat vahingot, tai yhdistämällä Thrustmaster-tuote minkä tahansa epäsoivan osan kanssa, mukaan lukien tietyt virtalähteet, ladattavat akut, laturit tai muut osat, joita Guillemot ei ole toimittanut tälle tuotteelle).



## TEKIJÄNOIKEUS

© 2021 Guillemot Corporation S.A. Kaikki oikeudet pidätetään. Thrustmaster® on Guillemot Corporation S.A.:n rekisteröity tavaramerkki. PlayStation® on Sony Interactive Entertainment Inc.:in rekisteröity tavaramerkki. Microsoft® Windows® on Microsoft Corporationin rekisteröity tavaramerkki Yhdysvalloissa ja/tai muissa maissa. Kaikki muut tavaramerkit ovat haltijoidensa omaisuutta. Kuvitukset eivät ole sitovia. Sisältö, mallit ja tavaraselosteet voivat muuttua ilman erillistä ilmoitusta ja vaihdella maasta toiseen. Valmistettu Kiinassa.

## YMPÄRISTÖNSUOJELUSUOSITUS



\* Euroopan unionissa: Käyttöikänsä päätyttyä tätä tuotetta ei pidä laittaa kodin sekajätteeseen, vaan se tulee viedä sähkö- ja elektroniikkalaiteromun (SER/WEEE) keräyspisteeseen kierrätettäväksi.

Tämä vahvistetaan tuotteesta, käyttöohjeesta sekä pakkauksesta löytyvällä symbolilla.

Ominaisuuksistaan riippuen materiaalit voidaan kierrättää. Voit kierrätyksen ja muun sähkö- ja elektroniikkaromun käsittelyn avulla auttaa merkittävästi ympäristön suojelussa.

Ota yhteyttä paikallisiin viranomaisiin saadaksesi tietoa lähimmästä keräyspisteestä.

Muissa maissa: Noudata paikallisia sähkö- ja elektroniikkaromun kierrätyslakeja.

Pidä nämä tiedot tallessa. Värit ja koristeet voivat vaihdella.

Muoviset kiinnittimet ja tarrat tulee poistaa ennen tuotteen käyttöä.

[www.thrustmaster.com](http://www.thrustmaster.com)

\* Voimassa vain EU:ssa, Iso-Britanniassa ja Turkissa



**THRUSTMASTER®**

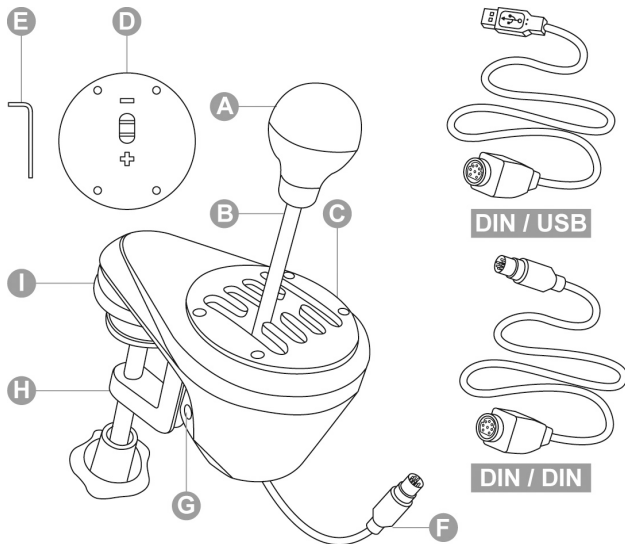
**TEKNINEN TUKI**

<https://support.thrustmaster.com>



## PlayStation®4/PlayStation®5 – Xbox One/Xbox Series – PC

### Návod na použitie



### TECHNICKÉ PARAMETRE

- |   |  |
|---|--|
| <b>A</b> Odpojiteľná hlavica radiacej páky<br>(predvolene nenainštalovaná)              | <b>F</b> Kábel a DIN konektor                    |
| <b>B</b> Páka   | <b>G</b> Vnútorňá upínacia skrutka               |
| <b>C</b> Vymeniteľný nastavac radenia "Vzor H (7+1)"<br>(predvolene nainštalovaný)      | <b>H</b> Nastaviteľný upínací systém             |
| <b>D</b> Vymeniteľný "Sekvenčný (+/-)" nastavac radenia<br>(predvolene nenainštalovaný) | <b>I</b> "Skrutkové závit" pre montáž do kokpitu |
| <b>E</b> 2.5 mm imbusový kľúč (zahrnutý)  | <b>DIN / USB</b> Odpojiteľný DIN / USB kábel     |
|   | <b>DIN / DIN</b> Odpojiteľný DIN / DIN kábel     |

## UPOZORNENIE

Pred použitím tohto výrobku si pozorne prečítajte tento návod. Tento návod si uschovajte pre budúce použitie.



### **Upozornenie – Elektrický šok**

- \* Tento výrobok uchovávajte na suchom mieste a nevystavujte ho prachu ani slnečnému žiareniu.
- \* Rešpektujte smer vkladania konektorov.
- \* Konektory a káble netočte, ani ich neťahajte.
- \* Výrobok ani jeho konektor nepolejte tekutinou.
- \* Výrobok neskratujte.
- \* Tento výrobok nerozoberajte (okrem možných úprav popísaných v tomto návode), nepokúšajte sa výrobok spáliť a výrobok nevystavujte vysokým teplotám.



### **Upozornenie – Zranenia spôsobené opakovanými pohybmi**

Hranie s radiacou pákou môže mať za následok bolesti svalov a kĺbov. Ak chcete predísť problémom:

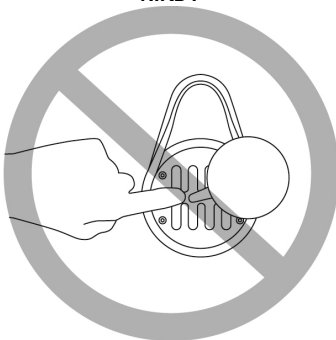
- \* Vyhnite sa hraniu počas dlhšej doby.
- \* Po každej hodine hrania si spravte 10 až 15 minútovú prestávku.
- \* Ak sa u Vás objaví únava alebo bolesť v rukách, zápästiach alebo pleciach, prestaňte hrať a niekoľko hodín odpočívajte, kým začnete hrať znovu.
- \* Ak príznaky alebo bolesti opísané vyššie pretrvávajú aj po pokračovaní v hraní, prestaňte hrať a poraďte sa so svojim lekárom.
- \* Skontrolujte, či je základňa radiacej páky správne namontovaná, ako je popísané v pokynoch uvedených v tomto návode.



### **Upozornenie – Riziko privretia prstov v otvoroch nadstavca radenia**

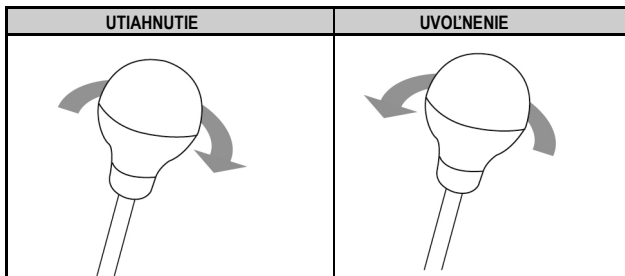
- \* Držte mimo dosahu detí.
- \* Pri hraní hry nikdy nedávajte prsty (alebo iné časti tela) do otvorov na nastavci radenia.

**NIKDY**



## INŠTALÁCIA HLAVICE RADIACEJ PÁKY

1. Zaskrutkovanie hlavice radiacej páky (**A**) na páku (**B**): otočte hlavicu radiacej páky v smere hodinových ručičiek.
2. Odskrutkovanie hlavice radiacej páky: otočte hlavicu radiacej páky proti smeru hodinových ručičiek.



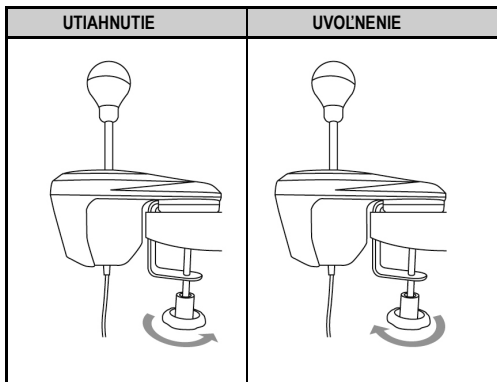
## UCHYTENIE RADIACEJ PÁKY

Uchytenie je optimalizované pre akýkoľvek typ povrchu:

- **Stoly, dosky** alebo **police** s hrúbkou od 1 do 55 mm cez upínací systém (H).
- **Kokpity**, cez vstavané „skrutkové závit“ (upínací systém je odnímateľný).

### Uchytenie radiacej páky na stôl alebo policu

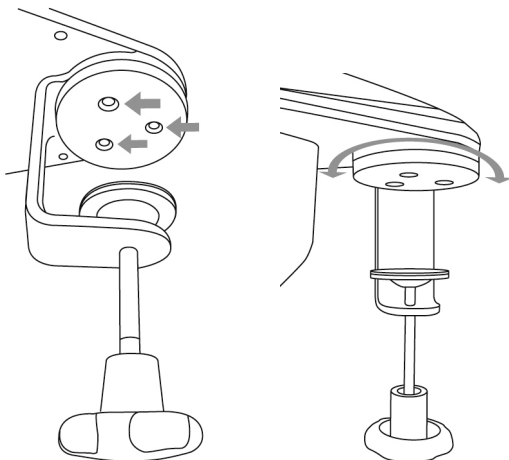
1. Nosovú časť radiacej páky položte na stôl alebo iný plochý povrch.
2. Uťahnutie: otočte upínacie koliesko proti smeru hodinových ručičiek.
3. Uvoľnenie: otočte upínacie koliesko v smere hodinových ručičiek.



## Polohovanie a otáčanie upínacieho systému (možno nastaviť o 360°)

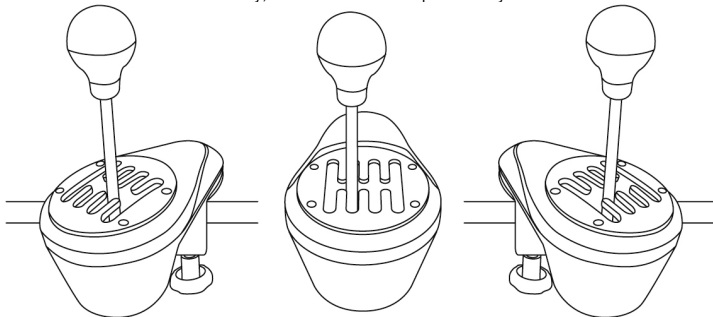
1. Pomocou priloženého 2,5 mm imbusového kľúča (**E**) veľmi mierne odskrutkujte 3 skrutky držiace upínací systém (**H**) na mieste.

Upínací systém (a teda celý radiaci mechanizmus) sa teraz môže ručne otáčať o 360°.



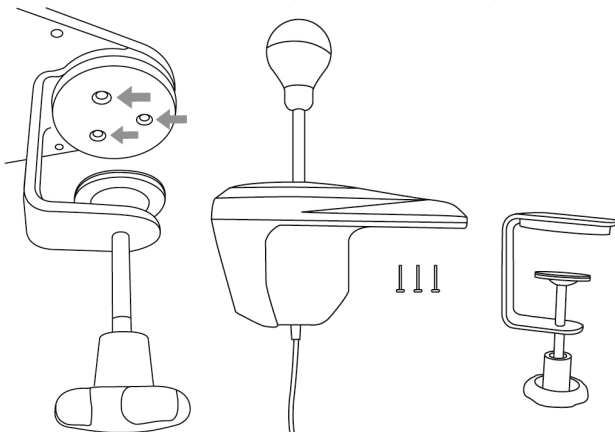
2. Vyberte si preferovanú pozíciu v rámci 360° otáčania (3 príklady z mnohých ďalších dostupných možností sú uvedené nižšie).

Následne utiahnite 3 skrutky, ktoré držia upínací systém na mieste.

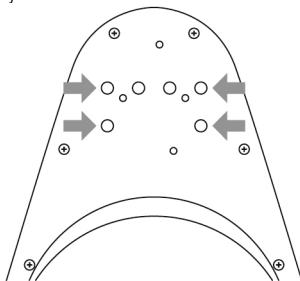


## Montáž radiacej páky do kokpitu

1. Pomocou priloženého 2,5 mm imbusového kľúča (**E**) úplne odskrutkujte a odstráňte 3 skrutky držiace upínací systém (**H**) na mieste. Odpojte upínací systém od radiacej páky.



2. Po odstránení upínacieho systému zaskrutkujte 2 skrutky „M6“ (nie sú súčasťou balenia) do police kokpitu a do 2 zo 4 malých „skrutkových závitov“ (**I**) umiestnených na spodnej strane nosovej časti radiacej páky.

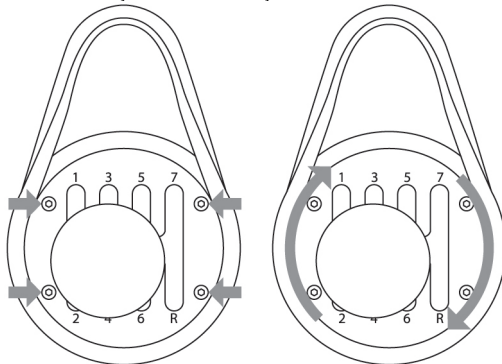


**Uistite sa, že skrutky „M6“, ktoré použijete nie sú príliš dlhé, aby nedošlo k prepichnutiu a poškodeniu hornej nosovej časti radiacej páky.**

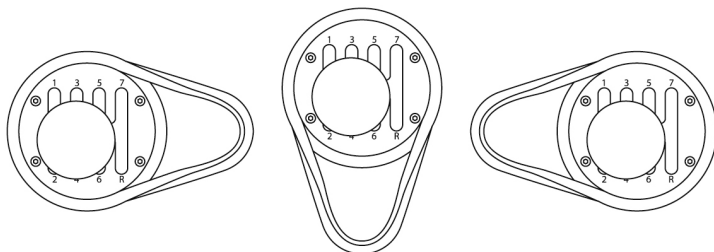
**Priklad montáže radiacej páky v kokpite je dostupný na stránke <https://support.thrustmaster.com>. Kliknite na Racing Wheels (Pretekárske volanty) / TH8A Shifter (Radiaca páka TH8A) a potom vyberte Manuál.**

## POLOHOVANIE A OTÁČANIE NADSTAVCOV RADENIA (MOŽNO NASTAVIŤ O 360°)

1. Pomocou priloženého 2,5 mm imbusového kľúča (**E**) mierne odskrutkujte 4 skrutky, ktoré držia nastavce radenia (**C alebo D**) na mieste.  
Nastavec radenia môže byť teraz ručne otočený o 360°.



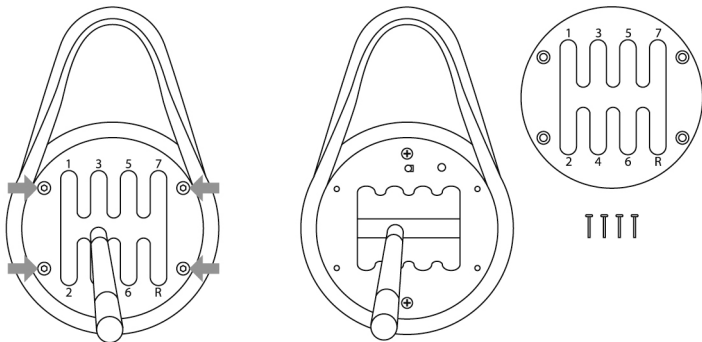
2. Vyberte si preferovanú pozíciu v rámci 360° otáčania (3 príklady z mnohých ďalších dostupných možností sú uvedené nižšie).



3. Následne utiahnite 4 skrutky, ktoré držia nastavce radenia na mieste.

## VÝMENA Z NADSTAVCA RADENIA "VZOR-H (7 + 1)" ZA „SEKVENČNÝ (+/-)“ NADSTAVEC RADENIA

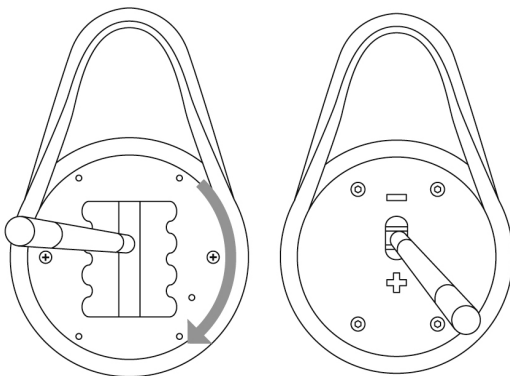
1. Odskrutkujte (proti smeru hodinových ručičiek) a vyberte hlavicu radiacej páky (A).
2. Pomocou priloženého 2,5 mm imbusového kľúča (E) úplne odskrutkujte a odstráňte 4 skrutky, ktoré držia nadstavec radenia „Vzor-H (7 + 1)“ na mieste. Odstráňte nadstavec radenia.



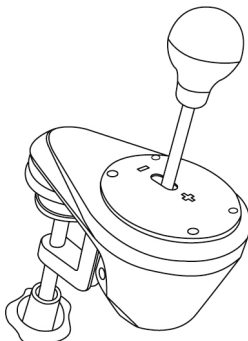
**Počas tohto postupu si dávajte pozor, aby ste nenechali spadnúť niektorú zo skrutiek do vnútorného mechanizmu.**

3. Manuálne otočte interný mechanizmus o 90° doprava (v smere hodinových ručičiek)  
Následne nasadte "Sekvenčný (+/-)" nadstavec radenia.



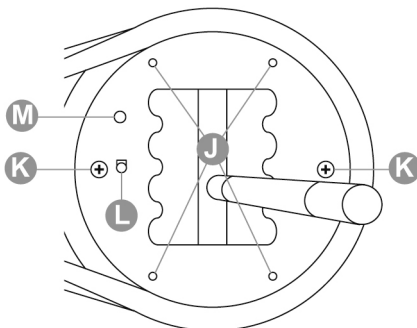


4. Pomocou priloženého 2,5 mm imbusového kľúča (E) znova nasadte a úplne dotiahnite 4 skrutky, ktoré držia „Sekvenčný (+/-)“ nastavac radenia na svojom mieste. Zaskrutkujte hlavicu radiacej páky späť (v smere hodinových ručičiek).



**Tento postup vykonajte opačne, aby ste nahradili nastavac radenia „Vzor-H (7 + 1)“.**

## Poznámky týkajúce sa horného krytu vnútornej štruktúry:



**J:** 4 "skrutkové závitý" pre pripojenie nastavcov radenia (**C or D**).

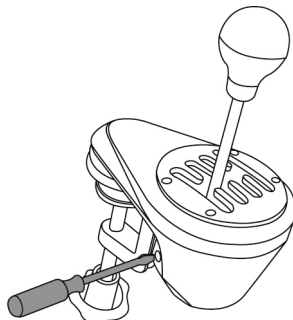
**K:** 2 skrutky, ktoré držia na mieste vnútornú štruktúru (neodskrutkujte).

**L:** Tlačidlo, ktoré automaticky zistí typ použitého nastavca radenia (**C alebo D**). Automaticky sa stlačí, keď je nainštalovaný „Sekvenčný (+/-)“ nastavca radenia. Tento priestor udržiajte v čistote, aby ste sa vyhli problémom s detekciou.

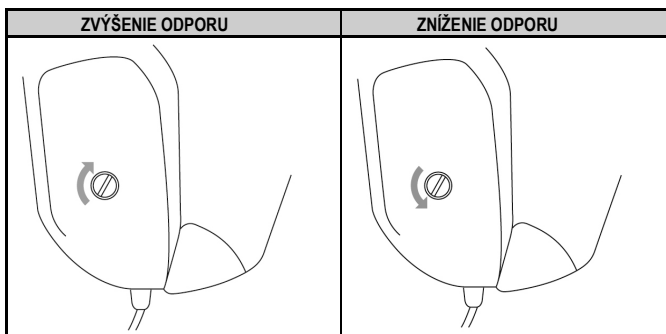
**M:** Výrez pre jednoduchšie umiestnenie nastavcov radenia

## NASTAVENIE ODPORU RADIACEJ PÁKY

- \* Aplikovateľné len pri použití nastavca radenia „Vzor-H (7+1)“.
- \* Pred vykonaním akýchkoľvek úprav musí byť nastavec radenia „Vzor H (7 + 1)“ namontovaný v pôvodnej polohe (viď obrázok nižšie).



1. Umiestnite veľký plochý skrutkovač do vnútornej upínacej skrutky (G), ktorá sa nachádza v ľavej dolnej časti krytu radiacej páky.
2. Na mierne zvýšenie odporu: otáčajte skrutkou v smere hodinových ručičiek.
3. Pre mierne zníženie odporu: otáčajte skrutkou proti smeru hodinových ručičiek.



**2 plné zatočenia stačia na to, aby ste prešli z jedného extrému na druhý.**



**Aby ste zabránili poškodeniu systému:**

- Keď pocítite silný odpor, skrutku prestaňte ťahať.
- Ak sa skrutka uvoľní a kolíše, prestaňte ďalej odskrutkovať.

# NÁVOD NA INŠTALÁCIU PRE HERNÉ KONZOLY

## PLAYSTATION®4/PLAYSTATION®5

Podľa hry na PS4™/PS5™ alebo podľa pretekárskeho volantu, ktorý používate:

**PS4™ = Pripojte(\*) radiacu páku TH8A priamo do USB portu na PS4™**

- Pripojte DIN konektor radiacej páky TH8A do kábla DIN / USB.
- Pripojte radiacu páku TH8A do jedného z USB portov PS4™.
- Spustíte hru.

Radiaca páka TH8A je potom funkčná s nastavcom radenia VZOR H (7+1) alebo SEKVENČNÝ (+/-).

**Alebo**

**PS4™/PS5™ = Pripojte(\*) radiacu páku TH8A priamo do základne pretekárskeho volantu Thrustmaster**

(platí len v prípade, ak má Váš pretekársky volant Thrustmaster zabudovaný konektor pre radiace páky)

- Pripojte DIN konektor radiacej páky TH8A do **odpojiteľného** DIN / DIN kábla.
- Pripojte radiacu páku TH8A do konektora pre radiace páky nachádzajúcim sa na zadnej strane základne pretekárskeho volantu.
- Pripojte Váš pretekársky volant, potom spustíte hru.

Radiaca páka TH8A je potom funkčná s nastavcom radenia VZOR H (7+1) alebo SEKVENČNÝ (+/-).

**(\*) Dôležité odporúčania pre systém PS4™/PS5™** (platí len v prípade, ak má Váš pretekársky volant Thrustmaster zabudovaný konektor pre radiace páky)

- **PS4™/PS5™: V prípade použitia radiacej páky TH8A so SEKVENČNÝM (+/-) nastavcom radenia, môžete radiacu páku na zadnej strane pretekárskeho volantu pripojiť aj pomocou odpojiteľného kábla DIN / DIN.** Radiaca páka TH8A je potom pripojená k radiacim pákam na pretekárskom volante pre radenie HORE (= R1) a DOLE (= L1).

S pretekárskym volantom funguje SEKVENČNÝ (+ /-) nastavec radenia radiacej páky TH8A so 100% pretekárskymi hrami pre PS4™, ktoré sú kompatibilné s pretekárskym volantom.

- **PS4™: Niektoré hry umožňujú použitie dvoch radiacích pák TH8A naraz:**

- Jednu radiacu páku TH8A s nastavcom radenia VZOR H (7+1), pripojenú k USB portu PS4™
- + Jednu radiacu páku TH8A so SEKVENČNÝM (+/-) nastavcom radenia, pripojenú ku zadnej časti pretekárskeho volantu.

\* Zoznam hier pre PS4™/PS5™, ktoré sú kompatibilné s radiacou pákou TH8A a s príslušnými pokynmi na pripojenie (\*) (ktoré sa menia podľa hier) sú k dispozícii tu:

<https://support.thrustmaster.com>. Vyberte Racing Wheels (Pretekárske volanty) / TH8A Shifter (Radiaca páka TH8A), a potom vyberte Hemé nastavenia. Zoznam je pravidelne aktualizovaný.

\* Na systémoch PS4™ odporúčame, aby ste nepoužívali USB hub na pripájanie pretekárskeho volantu alebo radiacej páky TH8A; pripojte zariadenie priamo do USB portov konzoly PS4™.

\* Niektoré hry vyžadujú, aby ste nainštalovali najnovšie dostupné aktualizácie pre správne fungovanie radiacej páky TH8A (herná konzola musí byť pripojená k internetu).

## XBOX ONE/XBOX SERIES

= So všetkými hrami pre Xbox One/Xbox Series, vždy zapojte radiacu páku TH8A priamo do základne pretekárskeho volantu Thrustmaster (NIKDY do USB portu hernej konzoly).

- Pripojte DIN konektor radiacej páky TH8A do odpoviadajúceho DIN / DIN kábla.
- Pripojte radiacu páku TH8A do konektora pre radiace páky nachádzajúcom sa na zadnej strane základne pretekárskeho volantu.
- Pripojte Váš pretekársky volant, potom spustíte hru.

Radiaca páka TH8A je potom funkčná s nastavením radenia VZOR H (7+1) alebo SEKVENČNÝ (+/-).

### Dôležité odporúčania pre systém Xbox One/Xbox Series:

Pri použití radiacej páky TH8A so SEKVENČNÝM (+/-) nastavením radenia, radiaca páka je pripojená k pákam na pretekárskom volante pre radenie HORE (= RB) a DOLE (= LB).

Pri použití radiacej páky TH8A so SEKVENČNÝM (+/-) nastavením radenia, radiaca páka TH8A funguje so 100% pretekárskymi hrami pre Xbox One/Xbox Series, ktoré sú kompatibilné s pretekárskym volantom Thrustmaster pre Xbox One/Xbox Series.

\* Zoznam hier pre Xbox One/Xbox Series, ktoré sú kompatibilné s radiacou pákou TH8A je dostupný tu:

<https://support.thrustmaster.com>. Vyberte Pretekárske volanty / Radiaca páka TH8A, a potom vyberte Herné nastavenia. Zoznam je pravidelne aktualizovaný.

\* Niektoré hry vyžadujú, aby ste nainštalovali najnovšie dostupné aktualizácie pre správne fungovanie radiacej páky TH8A (herná konzola musí byť pripojená k internetu).



Pre zabezpečenie kompatibility pretekárskeho volantu Thrustmaster pre Xbox One/Xbox Series s radiacou pákou TH8A, bude možno potrebné aktualizovať firmware pretekárskeho volantu na najnovšiu dostupnú verziu cez PC tu: <https://support.thrustmaster.com>. Vyberte Racing Wheels (Pretekárske volanty) / TH8A Shifter (Radiaca páka TH8A), a potom Firmware

## INŠTRUKCIE K NASTAVENIU NA PC

**= Pre všetky PC hry(\*), vždy zapojte radiacu páku TH8A priamo do jedného z USB portov na PC.**

- Pripojte DIN konektor radiacej páky TH8A do káblu DIN / USB.
- Pripojte radiacu páku TH8A do jedného z USB portov na Vašom PC.
- Po pripojení k PC, radiaca páka TH8A je zariadenie Plug & Play a je automaticky rozpoznaná a nainštalovaná.
- Zariadenie sa zobrazí v Hlavnom paneli Windows® ako 'T500 RS Gear Shift' .
- Vyberte Možnosti pre otestovanie a prezretie vlastností zariadenia.
- Spustite hru.

**Teraz ste pripravený pretekať!**

**(\*) Dôležité odporúčania pre PC** (platí len v prípade, ak má Váš pretekársky volant Thrustmaster zabudovaný konektor pre radiace páky)

- **V prípade použitia radiacej páky TH8A so SEKVENČNÝM (+/-) nastavcom radenia, môžete radiacu páku na zadnej strane pretekárskeho volantu pripojiť aj pomocou odpojiteľného kábla DIN / DIN.** Radiaca páka TH8A je potom pripojená k pákam na pretekárskom volante pre radenie HORE (= 2) a DOLE (= 1).

S pretekárskym volantom funguje SEKVENČNÝ (+ /-) nastavac radenia radiacej páky TH8A so 100% pretekárskymi hrami pre PC, ktoré sú kompatibilné s pretekárskym volantom.

- Niektoré hry umožňujú použitie dvoch radiacích pák TH8A naraz:

- Jednu radiacu páku TH8A s nastavcom radenia VZOR H (7+1), pripojenú k USB portu na PC
- + Jednu radiacu páku TH8A so SEKVENČNÝM (+/-) nastavcom radenia, pripojenú ku zadnej časti pretekárskeho volantu.

\* Na PC je radiaca páka Thrustmaster kompatibilná so:

- všetkými hrami podporujúcimi MULTI-USB a radiace páky.
- všetkými pretekárskymi volantami na trhu.

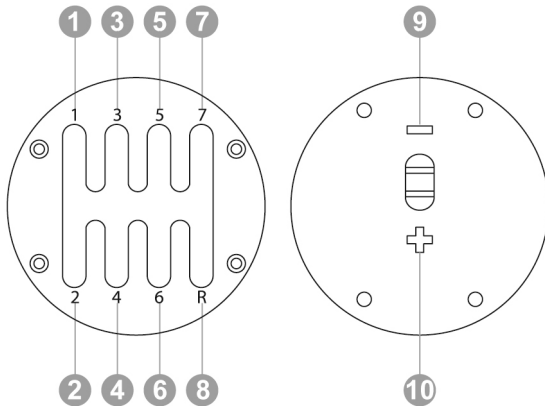
\* Odporúčame pripojiť Váš pretekársky volant a radiacu páku TH8A priamo do portov USB 2.0 (nie USB 3.0) na Vašom PC, bez použitia rozbočovačov.

\* Pre niektoré PC hry **musíte** nainštalovať najnovšie dostupné aktualizácie hier, aby radiaca páka TH8A fungovala správne.

\* Pre niektoré počítačové hry (aby sa predišlo konfliktom medzi volantom a radiacou pákou TH8A) môže byť potrebné:

- nemapovať žiadnu funkciu na radiace páky na volante.
- aktivovať funkciu „Tlačidlo pozdržania radenia“.

## MAPOVANIE NA PC



## SOFTVÉROVÝ BALÍK

Softvérový balík pre PC je k dispozícii tu:

<https://support.thrustmaster.com>. Kliknite na položku Racing Wheels (Pretekárske volanty) / TH8A Shifter (Radiaca páka TH8A) a potom vyberte položku Ovládač

- Po nainštalovaní softvérového balíka budete môcť:

- \* skontrolovať verziu firmware radiacej páky TH8A.
- \* aktualizovať firmware (v prípade potreby) na najnovšiu dostupnú verziu.
- \* použiť metódu „BOOTLOADER“ (na obnovenie radiacej páky v prípade straty firmware).
- \* prístup na vlastný ovládací panel (herný ovládač) na PC.
- \* na PC si vychutnať režim ANALOG (ručná brzda)

## POKROČILÝ KALIBRAČNÝ SOFTVÉR

Kalibrácia radenia radiacej páky TH8A sa vykoná automaticky.

Pokročilá kalibračná softvérová aplikácia pre PC je k dispozícii aj tu: <https://support.thrustmaster.com>. Kliknite na položku Racing Wheels (Pretekárske volanty) / TH8A Shifter (Radiaca páka TH8A) a potom vyberte položku Softvér. To vám umožní nastaviť radenie páky podľa seba.

Keď sú nastavenia dokončené, okamžite sa uložia do internej pamäte radiacej páky (a môžu byť použité na PS4™/PS5™, Xbox One/Xbox Series a PC).

# SÚHRNNÉ INŠTRUKCIE NA PRIPOJENIE RADIACEJ PÁKY TH8A K RÔZNYM SYSTÉMOM

	<b>Pripojte radiacu páku TH8A</b>
<b>PS4™</b>	Podľa hry alebo pretekárskeho volantu (*) : - Buď priamo do systému PS4™/PS5™ (USB) - Alebo na zadnej strane pretekárskeho volantu (DIN)
<b>PS5™</b>	Vždy na zadnej strane pretekárskeho volantu (DIN)
<b>XBOX ONE/XBOX SERIES</b>	Vždy na zadnej strane pretekárskeho volantu (DIN)
<b>PC</b>	Vždy(*) priamo do PC (USB)

(\*) Ďalšie informácie o výnimkách nájdete v časti **Dôležité odporúčania** na príslušných stranách manuálu.

## UPOZORNENIE

\* Nikdy nepripájajte radiacu páku TH8A priamo k inému zariadeniu, než je pretekársky volant Thrustmaster, aj keď je zariadenie vybavené identickým konektorom DIN. Mohlo by to spôsobiť poškodenie radiacej páky TH8A alebo iného zariadenia.

## RIEŠENIE PROBLÉMOV

\* Moja radiaca páka nefunguje správne alebo sa zdá, že je nesprávne kalibrovaná:

- Vypnite počítač alebo konzolu, odpojte radiacu páku, znova ju pripojte a potom reštartujte hru.
- Vo svojej hre v časti „Možnosti / Ovládač“ vyberte alebo nastavte najvhodnejšiu konfiguráciu.
- Ďalšie informácie nájdete v návode na použitie k hre alebo online pomoci.

- Na webovej stránke <https://support.thrustmaster.com> sú k dispozícii rôzne témy a tipy pre pomoc (nie sú uvedené v tejto príručke), zoznam kompatibilných hier atď. Kliknite na Racing Wheels (Pretekárske volanty) / TH8A Shifter (Radiaca páka TH8A).

- Aby ste na Xbox One/Xbox Series zabezpečili kompatibilitu Vášho Thrustmaster pretekárskeho volantu pre Xbox One/Xbox Series s radiacou pákou TH8A, budete pravdepodobne musieť aktualizovať firmware pretekárskeho volantu na najnovšiu dostupnú verziu cez PC tu: <https://support.thrustmaster.com>. Kliknite na položku Racing Wheels (Pretekárske volanty) / TH8A Shifter (Radiaca páka TH8A) a potom vyberte položku Firmware.



## INFORMÁCIE O ZÁRUKU

Celosvetovo, spoločnosť Guillemot Corporation S.A., ktorej sídlo sa nachádza na adrese Place du Granier, B.P. 97143, 35571 Chantepie, Francúzsko (ďalej len "Guillemot") zaručuje spotrebiteľovi, že počas záručnej doby, ktorá je zhodná s časovým limitom na podanie reklamácie na tento produkt, tento Thrustmaster produkt nemá materiálne chyby ani výrobné chyby.

V krajinách Európskej únie záručná doba zodpovedá obdobiu dvoch (2) rokov od dodania produktu Thrustmaster. V iných krajinách zodpovedá záručná doba lehote pre podanie reklamácie na produkt Thrustmaster podľa platných zákonov krajiny, v ktorej mal spotrebiteľ bydlisko k dátumu kúpy produktu Thrustmaster (ak takýto zákon v príslušnej krajine neexistuje, potom je záručná doba jeden (1) rok od pôvodného dátumu zakúpenia produktu Thrustmaster).

Bez ohľadu na vyššie uvedené, sa na nabíjateľné batérie vzťahuje záručná doba šiestich (6) mesiacov od dátumu nákupu.

Ak počas záručnej doby dôjde na produkte ku chybe, okamžite kontaktujte Technickú podporu, ktorá Vám oznámi ďalší postup. Ak je chyba potvrdená, produkt musí byť vrátený v mieste jeho nákupu (alebo na inom mieste uvedenom Technickou podporou).

V kontexte tejto záruky má Technická podpora možnosť rozhodnúť, či bude chybný produkt spotrebiteľa buď vymenený alebo opravený do funkčného stavu. Ak v priebehu záručnej doby podlieha produkt Thrustmaster takejto oprave, každá doba najmenej siedmich (7) dní, počas ktorých je výrobok nepoužiteľný, bude doplnená do zostávajúcej záručnej doby (toto obdobie začína plynúť od dátumu žiadosti spotrebiteľa alebo dátumom, kedy je daný výrobok dodaný na opravu, ak je dátum, kedy je výrobok dodaný na opravu po dátume podania žiadosti). Ak to umožňujú platné právne predpisy, plná zodpovednosť spoločnosti Guillemot a jej dcérskych spoločností (vrátane následných škôd) je obmedzená na návrat produktu do funkčného stavu alebo na výmenu produktu Thrustmaster. Ak to dovoľuje platné právo, spoločnosť Guillemot neposkytuje záruku obchodovateľnosti a spôsobilosti pre určité použitie.

Táto záruka sa nevzťahuje na: 1. ak bol výrobok opravený, otvorený, pozmenený alebo poškodený v dôsledku nevhodného alebo hrubého používania, nedbanlivosti, nehody, bežného opotrebenia, alebo akejkolvek inej príčiny nesúvisiacej s materiálnoú alebo výrobnou chybou (vrátane, nie však výlučne, kombinácie výrobku Thrustmaster s akýmkoľvek nevhodným prvkom, vrátane napájacích zdrojov, nabíjateľných batérií, nabíjačiek, alebo iných prvkov, ktoré Guillemot nedodáva pre tento výrobok); (2) ak bol výrobok použitý na akékoľvek iné použitie ako na domáce použitie, a to aj na profesionálne, alebo komerčné účely (napríklad herne, školenia, súťaže); (3) v prípade nedodržania pokynov poskytnutých Technickou podporou; (4) softvér, pričom uvedený softvér podlieha osobitnej záruke; (5) spotrebné materiály (prvky, ktoré sa majú vymeniť počas životnosti výrobku: napríklad jednorazové batérie, zvukové súpravy alebo slúchadlá); (6) na príslušenstvo (napríklad káble, puzdρά, vrecká, tašky, popruhy na zápästie); (7) ak bol výrobok predaný vo verejnej dražbe.

Táto záruka nie je prenosná.

Zákonné práva spotrebiteľa, pokiaľ ide o zákony platné pre predaj spotrebného tovaru v jeho alebo jej krajine, nie sú touto zárukou ovplyvnené.

### **Ďalšie záručné ustanovenia**

Počas záručnej lehoty, Guillemot neposkytuje žiadne náhradné diely, vzhľadom na skutočnosť, že Technická podpora je jediná strana oprávnená otvoriť a/alebo opraviť akýkoľvek Thrustmaster produkt (Výnimkou je prípadné požiadanie Technickej podpory o nasledovanie písomných pokynov na opravy, ktoré má vykonať užívateľ - napríklad pre ich jednoduchosť a dostupné opravné postupy – a v prípade potreby dodanie náhradných dielov užívateľovi).

Kvôli inovačným cyklom a vzhľadom na ochranu know-how a obchodného tajomstva spoločnosti, Guillemot neposkytuje opravné postupy alebo náhradné diely na Thrustmaster produkty po uplynutí ich záručnej lehoty.

V Spojených štátoch amerických a v Kanade je táto záruka obmedzená na vnútorný mechanizmus výrobku a vonkajší kryt produktu. Guillemot ani jeho pridružené spoločnosti v žiadnom prípade nenesú zodpovednosť voči akejkolvek tretej strane za priame či nepriame vady plynúce z porušenia podmienok záruky. V niektorých krajinách, kde nie je prípustné obmedzenie alebo vylúčenie nepriamych škôd, či obmedzenie trvania záruk a podmienok, vyššie uvedené vylúčenie neplatí. Touto zárukou sú užívateľovi poskytnuté špecifické práva spolu s právami plynúcimi z právnej úpravy jednotlivých krajín.

### **Zodpovednosť**

Ak to dovoľujú platné zákony, spoločnosť Guillemot Corporation S.A. (ďalej len "Guillemot") a jej dcérske spoločnosti nenesú žiadnu zodpovednosť za akékoľvek škody spôsobené jedným alebo viacerými z nasledujúcich prípadov: 1. výrobok bol upravený, otvorený alebo pozmenený; (2) nedodržali sa montážne inštrukcie; (3) nevhodné alebo hrubé používanie, nedbalosť, nehoda (napríklad náraz); (4) bežné opotrebenie; (5) používanie výrobku na akékoľvek iné použitie ako na domáce použitie, a to aj na profesionálne, alebo komerčné účely (napríklad herne, školenia, súťaže). Ak to dovoľujú platné zákony, spoločnosť Guillemot a jej dcérske spoločnosti nenesú žiadnu zodpovednosť za akékoľvek škody, ktoré nesúvisia s materiálnou alebo výrobnou vadou vo vzťahu k výrobku (vrátane, nie však výlučne, za akékoľvek škody spôsobené priamo alebo nepriamo akýmkoľvek softvérom, alebo kombinácie výrobku Thrustmaster s akýmkoľvek nevhodným prvkom, vrátane napájacích zdrojov, nabíjateľných batérií, nabíjačiek alebo iných prvkov, ktoré Guillemot nedodáva pre tento výrobok).

## COPYRIGHT

© 2021 Guillemot Corporation S.A. Všetky práva vyhradené. Thrustmaster® je registrovanou ochrannou známkou spoločnosti Guillemot Corporation S.A. PlayStation® je registrovanou ochrannou známkou spoločnosti Sony Interactive Entertainment, Inc. Microsoft® Windows® je registrovanou ochrannou známkou spoločnosti Microsoft Corporation v Spojených štátoch a/alebo v ďalších krajinách. Každé ďalšie registrované ochranné známky sú majetkom ich príslušných vlastníkov. Obrázky nie sú záväzné. Obsah, dizajn a špecifikácie sa môžu zmeniť bez predchádzajúceho upozornenia a môžu sa v jednotlivých krajinách líšiť. Vyrobené v Číne.

## ODPORÚČANIE PRE OCHRANU ŽIVOTNÉHO PROSTREDIA



\* V Európskej únii: Na konci svojej životnosti by sa nemal tento produkt vyhodiť s bežným domovým odpadom, ale mal by byť odovzdaný na recykláciu v zbernom mieste na likvidáciu odpadu z elektrických a elektronických zariadení. Potvrdzujúci symbol o recyklácii nájdete na produkte, na návode na použitie alebo na obale. V závislosti od ich vlastností, môžu byť materiály recyklované. Prostredníctvom recyklácie a iných foriem spracovania odpadu z elektrických a elektronických zariadení môžete významne prispieť k ochrane životného prostredia. Pre získanie informácie o pre vás najbližšom možnom mieste

odovzdania, kontaktujte miestne orgány.

Pre všetky ostatné krajiny: Dodržujte miestne zákony o recyklácii elektrických a elektronických zariadení.

Ponechajte si tieto informácie. Farby a ozdobnosť sa môžu líšiť.

Plastové spony a lepiace pásky by sa mali z výrobku pred jeho použitím odstrániť.

**[www.thrustmaster.com](http://www.thrustmaster.com)**

*\*Použitelné pre EÚ, UK a Turecko*



**THRUSTMASTER®**

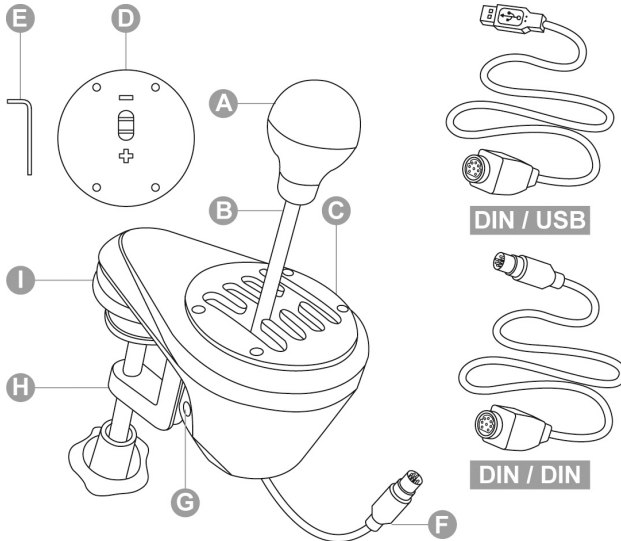
**TECHNICKÁ PODPORA**

**<https://support.thrustmaster.com>**





## PlayStation®4/PlayStation®5 – Xbox One/Xbox Series – PC Használati Útmutató



### TECHNIKAI LEÍRÁS

- |   |   |
|---|---|
| <b>A</b> Levehető váltógomb<br><i>(nem alapértelmezett)</i>                         | <b>F</b> Kábel és DIN csatlakozó                        |
| <b>B</b> Bot  | <b>G</b> Belső feszítőcsavar                            |
| <b>C</b> Állítható "H" (7+1)" váltólemez<br><i>(alapértelmezett)</i>                | <b>H</b> Állítható rögzítőrendszer                      |
| <b>D</b> Állítható "Szekvenciális (+/-)" váltólemez<br><i>(nem alapértelmezett)</i> | <b>I</b> Csavarhely a szimulátor ülésben<br>rögzítéshez |
| <b>E</b> 2.5 mm-es imbuszkulcs (a csomag része)                                     | <b>DIN / USB</b> Levehető DIN / USB kábel               |
|   | <b>DIN / DIN</b> Levehető DIN / DIN kábel               |

## FIGYELMEZTETÉS

A termék használata előtt, figyelmesen olvassa el a használati útmutatót és tartsa meg későbbi használatra.



### **Figyelmeztetés - Áramütés veszély**

- \* Tartsa a terméket száraz helyen és ne tegye ki közvetlen napsütésnek vagy pornak.
- \* A csatlakozókat, mindig a megfelelő irányból használja.
- \* A csatlakozót vagy kábelt soha ne csavarja vagy húzza meg.
- \* A termék vagy csatlakozó, ne érintkezzen folyadékkal.
- \* Ne zárja a termék áramkörét rövidre.
- \* Ne szerelje szét a terméket (kizárólag a használati útmutatóban leírt módosításokat végezze el), ne próbálja meg a terméket elégetni és ne tegye ki magas hőmérsékletnek.



### **Figyelmeztetés – Sérülésveszély**

A váltókar vagy kézifék használata izom és ízületi fájdalmakat okozhat. A következő módon kerülheti ezeket el:

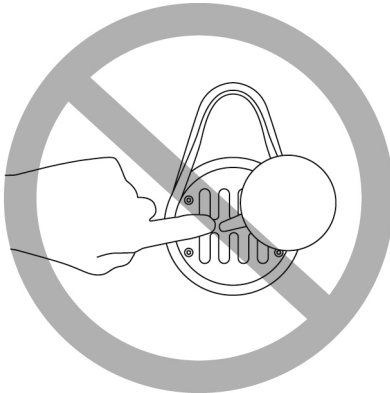
- \* Ne használja a terméket túl hosszú időn keresztül.
- \* Minden játékkal töltött óra után, iktasson be 10-15 perc szünetet.
- \* Amennyiben fájdalom jelentkezik a kezében, csuklójában vagy kézfejében, hagyja abba a játékot és pihenjen pár órán keresztül az újabb játék megkezdése előtt.
- \* Ha a fent említett tünetek a pihenés után is jelentkeznek, keresse fel háziorvosát.
- \* Ellenőrizze, hogy a terméket a használati utasításában leírtaknak megfelelően rögzítette.



### **Figyelmeztetés – Becsípődés veszély a váltólemez nyílásaiba**

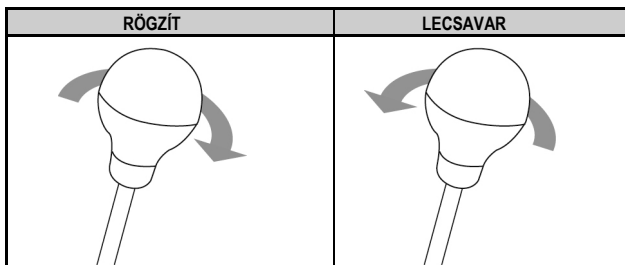
- \* Tartsa gyermekektől távol.
- \* Játék közben, soha ne tegye be az ujjait (vagy bármilyen testrészét) a váltólemezek közé.

**SOHA**



## A VÁLTÓGOMB RÖGZÍTÉSE

1. A váltógomb **(A)** rögzítése a botra **(B)**: fordítsa el a váltógombot az óramutató irányába.
2. A váltógomb lecsavarása: fordítsa el a gombot az óramutató járásának ellenkezően.



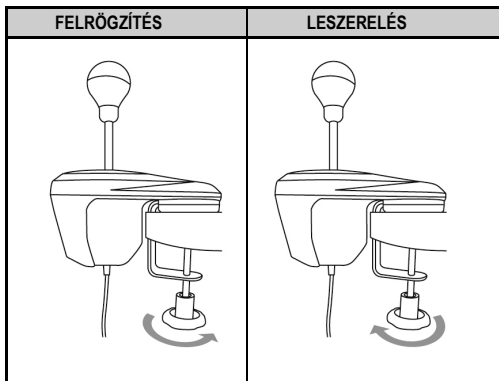
## A VÁLTÓ RÖGZÍTÉSE

Bármilyen felületre rögzíthető:

- 1-55 mm közötti vastagságú **asztalra** vagy **polcra** a rögzítőrendszer segítségével **(H)**.
- **Szimulátor ülésbe** a beépített csavarhelyek segítségével (a rögzítő eltávolítható).

### A váltó rögzítése asztalon

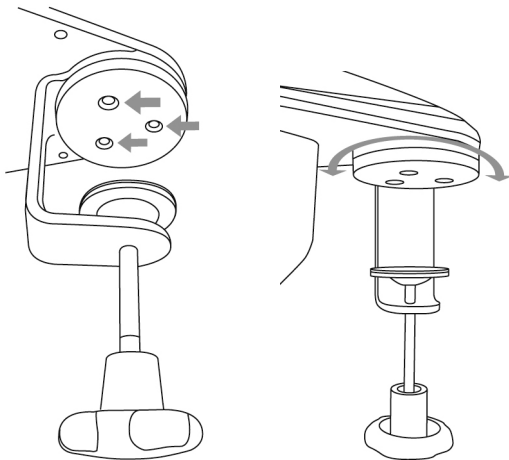
1. Helyezze a váltó rögzítő részét az asztallapra, vagy bármilyen lapos felületre.
2. Felrögzítés: fordítsa a rögzítő fejét az óramutató járásával ellenkező irányba.
3. Leszerelés: fordítsa a rögzítő fejét az óramutató járásával megegyező irányba.



## A rögzítő beállítása és forgatása (360°-al elforgatható)

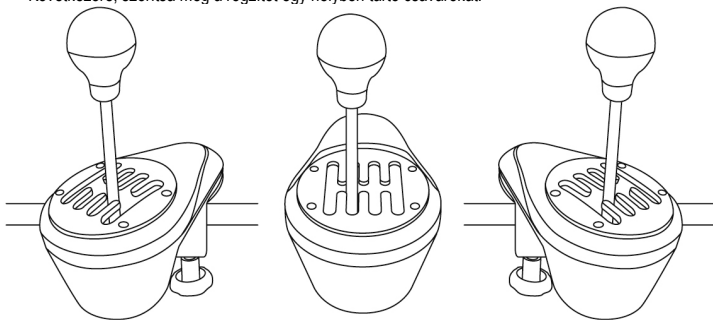
1. Használja a 2.5 mm-es imbuszkulcsot (**E**), nagyon finoman lazítsa meg a rögzítőt egy helyben tartó 3 csavart (**H**).

A rögzítő rész (és egyben az egész váltó) kézzel 360°-al elfordítható.



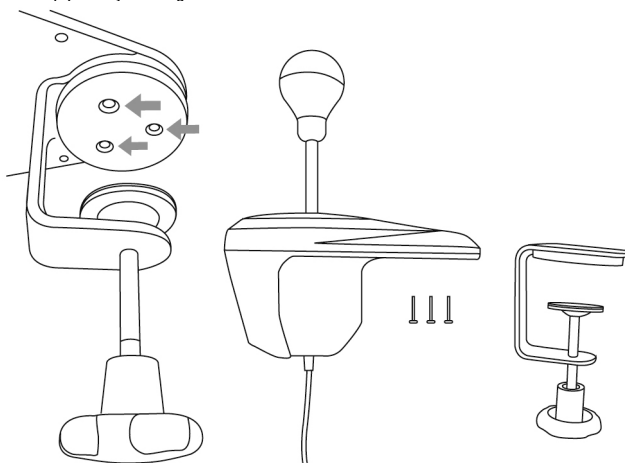
2. Válassza ki az Önnek megfelelő pozíciót a 360°-os elfordulás mentén (alább talál 3 példát a sok közül, a felhelyezésre).

Következőre, szorítsa meg a rögzítőt egy helyben tartó csavarokat.

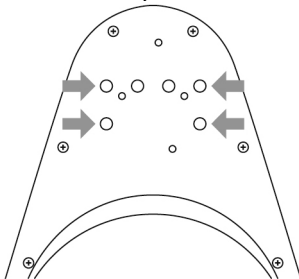


## A váltó szimulátor ülésbe történő rögzítése

1. Használja a 2.5 mm-es imbuszkulcsot **(E)**, teljesen csavarja ki és távolítsa el a rögzítőt tartó 3 csavart **(H)**. Szedje le a rögzítőt a váltóról.



2. Miután a rögzítőt eltávolította, csavarjon be 2 db. "M6"-os csavart (nem a csomagolás része) az erre szolgáló felületbe és a váltó orrának alján található 4 csavarhelyből **(I)** kettőbe.



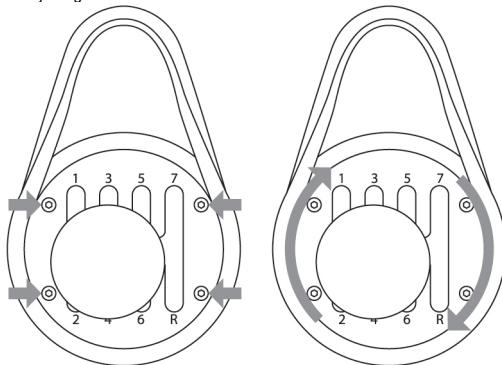
**Győződjön meg róla, hogy az ön által használt "M6"-os csavar nem túl hosszú és nem fogja átszúrni és megsérteni a váltó orrészét.**

A váltó felszereléséhez használható táblázatot a <https://support.thrustmaster.com> weboldalon érheti el. Kattintson a Racing Wheels (Versenykormányok) / TH8A Váltóra majd válassza ki a Használat Útmutatót (Manual).

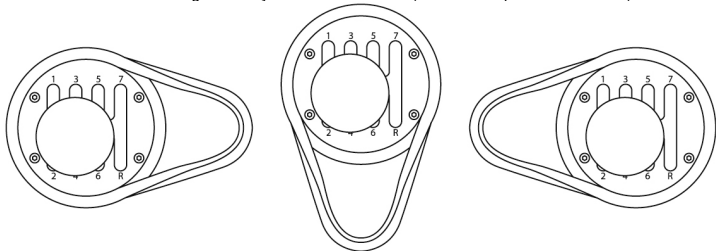


# A VÁLTÓLEMEZEK BEÁLLÍTÁSA ÉS ELFORGATÁSA (360°-AL ELFORGATHATÓ)

1. Használja a 2.5 mm-es imbuszkulcsot (**E**), kicsit lazítsa meg a váltólemezek helyükön tartó 4 csavart (**C vagy D**).  
Most már el tudja forgatni akár 360°-al kézzel.



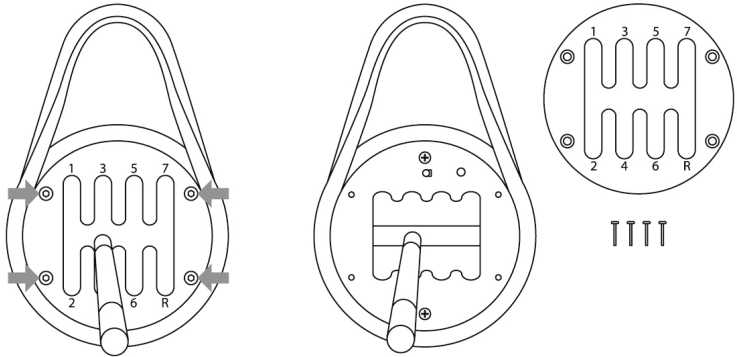
2. Válassza ki az önnek megfelelő helyzetet a 360° mentén (alább talál 3 példát a sok közül).



3. Húzza meg a váltólemez egy helyben tartó 4 csavart.

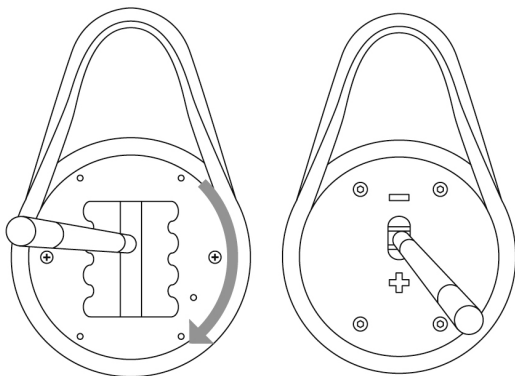
## HOGYAN TUDJA A "H" KÉZI (7+1) VÁLTÓLEMEZT A "SZEKVENCIAÁLIS VÁLTÓLEMEZRE (+/-)" KICSERÉLNI

1. Csavarja le (órámutató járásának megfelelően) és távolítsa el a váltógombot (A).
2. Használja a 2.5 mm-es imbuszkulcsot (E), teljesen csavarja ki és távolítsa el a "H" kézi (7+1)" váltólemezt. Vegye le a váltólemezt.

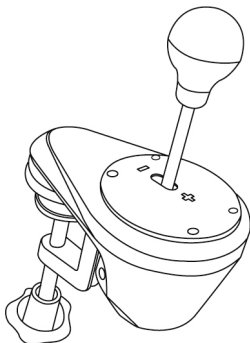


**A folyamat közben, figyeljen rá, hogy egyik csavar se essen bele a váltó belső szerkezetébe.**

3. Kézzel forgassa el a belső szerkezetet 90°-al jobbra (órámutató járásával megegyezően). Következőre, helyezze rá a "Szekvenciális (+/-)" váltólemezt.

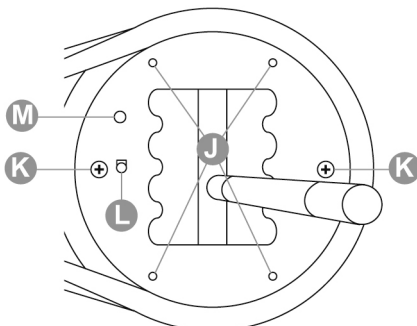


4. Használja a 2.5 mm-es imbuszkulcsot (E), helyezze vissza és szorítsa meg a 4 csavart, amelyek helyén tartják a "Szekvenciális (+/-)" váltólemezt. Csatvarja vissza a váltógombot a helyére. (órmutató járásával megegyezően).



**Hajtsa végre ugyanezt a műveletet csak fordítva a "H" kézi (7+1)" váltólemez visszacszereléséhez.**

## Megjegyzés a belső szerkezetet záró fedlaphoz:



**J:** 4 csavarhely a váltólemezek rögzítéséhez (**C vagy D**).

**K:** 2 csavar, melyek a belső szerkezetet rögzítik (ne csavarja ki).

**L:** Egy gomb, mely automatikus felismeri, a használt váltólemez típusát (**C vagy D**).

**Automatikusan benyomódik, amikor a "Szekvenciális (+/-)" váltólemez kerül behelyezésre.**

Mindig tartsa tisztán ezt a területet, hogy az érintkezési hibákat elkerülje.

**M:** A váltólemezek könnyedén megtalálják a helyüket a kialakításnak köszönhetően.

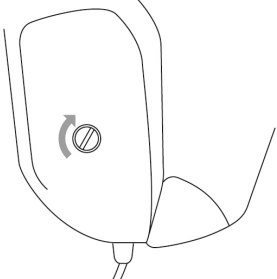
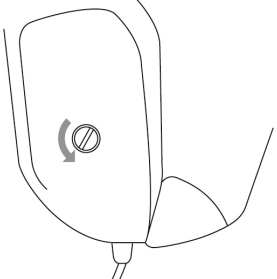
## A SEBESSÉGVÁLTÓ ELLENÁLLÁSÁNAK BEÁLLÍTÁSA

\* Csak a "H" kézi (7+1) váltólemezre vonatkozik.

\* Mielőtt bármilyen beállítást végrehajtana, a "H" kézi (7+1) váltólemeznek az eredeti pozíciójában kell állnia. (az alábbi ábra mutatja).



1. Használjon egy nagy laposfejű csavarhúzó, helyezze a csavarhúzót a belső feszültség szabályozó csavarra (G), amely a váltó burkolatának az alsó bal részén található.
2. Az ellenállás növeléséhez: fordítsa a csavarhúzót az óramutató járásának az irányába.
3. Az ellenállás csökkentéséhez: fordítsa a csavarhúzót az óramutató járásával ellentétes irányba.

AZ ELLENÁLLÁS NÖVELÉSE	AZ ELLENÁLLÁS CSÖKKENTÉSE
	

**2 teljes elfordítás már a két véglet elérését eredményezi.**



**A rendszer sérülését elkerülendő:**

- Hagyja abba a csavarok meghúzását, ha erős ellenállást érezel.
- Ne lazítsa tovább a csavarokat, ha a váltóbot lazává és ingataggá válik.

# BEÁLLÍTÁSI UTASÍTÁSOK JÁTÉKKONZOLOKHOZ

## PLAYSTATION®4/PLAYSTATION®5

**Attól függően, hogy milyen PS4™/PS5™ játékkal játszik és milyen kormányt használ:**

**PS4™ = Csatlakoztassa (\*) a TH8A váltót közvetlen a PS4™ USB portjába**

- Csatlakoztassa a TH8A váltó DIN csatlakozóját a DIN / USB kábelhez.
- Csatlakoztassa a TH8A váltót a PS4™ egyik USB portjához.
- Kezdje meg a játékot.

**Ezekben az esetekben a TH8A váltó mindkét váltómódbban (H kézi (7+1) vagy SZEKVENCIÁLIS (+/-)) használható.**

**Vagy**

**PS4™/PS5™ = Csatlakoztassa(\*) a TH8A váltót közvetlen a Thrustmaster versenykormány alapjához**

(abban az esetben, ha a Thrustmaster kormány rendelkezik beépített sebességváltó csatlakozóval)

- Csatlakoztassa a TH8A váltó DIN csatlakozóját a DIN / DIN levehető kábelhez.
- Csatlakoztassa a TH8A váltót a kormány hátulján található sebességváltó csatlakozóhoz.
- Csatlakoztassa a kormányt és kezdje meg a játékot.

**Ezekben az esetekben a TH8A váltó mindkét váltómódbban (H kézi (7+1) vagy SZEKVENCIÁLIS (+/-)) használható.**

**(\*) Fontos javaslat PS4™/PS5™-hez** (abban az esetben, ha a Thrustmaster kormány rendelkezik beépített sebességváltó csatlakozóval)

- PS4™/PS5™: Amikor a TH8A váltót, SZEKVENCIÁLIS (+/-) módban használja, a váltót DIN / DIN kábellel is hozzácsatlakoztathatja a kormány hátuljához. Ebben az esetben a TH8A váltó a kormány UP (= R1) és DOWN (= L1) kormányváltóihoz van csatlakoztatva.

A TH8A SZEKVENCIÁLIS (+ /-) váltólemez a versenykormányval kompatibilis PS4™/PS5™ játékok 100%-ával működik.

- PS4™: Néhány játék, lehetőséget ad két TH8A váltómód **együttes használatához**:

- Az egyik TH8A H kézi (7+1) váltómódbban a PS4™ USB portjához van csatlakozva
- + Egy másik TH8A SZEKVENCIÁLIS (+/-) váltómódbban pedig a kormány hátuljához.

\* A PS4™/PS5™ TH8A váltóval kompatibilis játékok listáját és releváns csatlakoztatási utasításokat (\*) (melyek játékonként eltérnek) itt érheti el:

<https://support.thrustmaster.com> Kattintson a Racing Wheels / TH8A Váltóra, majd a Games settings-re (Játék beállítások). A listát rendszeresen frissítjük.

\* PS4™-el használva, javasoljuk, hogy ne használjon USB elosztót, amikor a kormányt vagy a TH8A váltót használja; csatlakoztassa az eszközöket egyenesen a PS4™ USB portjába.

\* Néhány játék esetében szükséges a TH8A váltó legfrissebb verzióját használni a tökéletes működés érdekében (a játékkonzolt csatlakoztatni kell az internethez).

## XBOX ONE/XBOX SERIES

**= Minden Xbox One/Xbox Series játék esetében, a TH8A váltót közvetlen a Thrustmaster versenykormány alapjához kell csatlakoztatni (SOHA nem a konzol USB portjához).**

- Csatlakoztassa a TH8A váltó **DIN** csatlakozóját a **DIN / DIN levehető kábelhez**.
- Csatlakoztassa a TH8A váltót a kormány hátulján található sebességváltó csatlakozóhoz.
- Csatlakoztassa a kormányt és kezdje meg a játékot.

**Ezekben az esetekben a TH8A váltó mindkét váltómódban (H kézi (7+1) vagy SZEKVENCIÁLIS (+/-) használható.**

### **Fontos megjegyzés az Xbox One/Xbox Series-hoz:**

Amikor TH8A váltót SZEKVENCIÁLIS (+/-) módban használja, az eszköz a kormány UP (= R1) és DOWN (= L1) kormányváltóihoz van csatlakoztatva.

**A TH8A váltó SZEKVENCIÁLIS (+/-) módban, az összes olyan Xbox One/Xbox Series játékkal használható, melyek kompatibilisek a Thrustmaster versenykormányokkal.**

\* Az Xbox One/Xbox Series TH8A váltóval kompatibilis játékok listáját, itt érheti el: <https://support.thrustmaster.com>. Kattintson a Racing Wheels / TH8A Váltóra, majd a Games settings-re. A listát rendszeresen frissítjük.

\* Néhány játék esetében szükséges a TH8A váltó legfrissebb verzióját használni a tökéletes működés érdekében (a játékkonzolt csatlakoztatni kell az internethez).



**Ahhoz, hogy a Thrustmaster kormányod biztosan kompatibilis legyen az Xbox One/Xbox Series rendszerben a TH8A váltóval, előfordulhat, hogy frissítenie kell a versenykormány firmware-jét PC-n keresztül az alábbi linket használva: <https://support.thrustmaster.com>. Kattintson a Racing Wheels / TH8A Váltóra, majd a Firmware opcióra.**

## BEÁLLÍTÁSI UTASÍTÁSOK PC-HEZ

**= Minden PC játék esetében (\*), mindig közvetlenül a PC USB portjába csatlakoztassa a TH8A váltót.**

- Csatlakoztassa a TH8A váltó **DIN** csatlakozóját a **DIN / USB** kábelhez.
- Csatlakoztassa a TH8A váltót a PC egyik USB portjához.
- Amikor csatlakozott a PC-hez, a TH8A váltó már készen is áll a játékra, automatikusan felismeri a rendszer és telepíti is.
- Az eszközt 'T500 RS Gear Shift' néven fogja a Windows® Control Panel-ében megtalálni.
- Kattintson a Tulajdonságokra, hogy tesztelhesse az eszközt és megnézhesse a részleteket.
- Kezdje meg a játékot!

**Most már nincs más dolga, mint játszani!**

**(\*) Fontos javaslatok PC-hez** (abban az esetben, ha a Thrustmaster kormány rendelkezik beépített sebességváltó csatlakozóval)

- Ha a TH8A váltó **SZEKVENCIÁLIS (+/-) váltólemezt használod, a váltót a kormány hátuljába is csatlakoztathatod a lehető DIN / DIN kábel segítségével.** A TH8A ebben az esetben a kormány UP (= 2) és DOWN (= 1) kormányváltóhoz van csatlakoztatva. A TH8A váltó **SZEKVENCIÁLIS (+ /-)** módban, az összes olyan PC játékkal használható, melyek kompatibilisek a Thrustmaster versenykormányokkal.

- Néhány játék, lehetőséget ad két **TH8A** váltómód **együttes használatához:**

- Az egyik TH8A H kézi (7+1) váltómódban a PC USB portjához van csatlakozva
- + egy másik TH8A SZEKVENCIÁLIS (+/-) váltómódban pedig a kormány hátuljához.

\* PC-vel használva a Thrustmaster váltót a következőkkel kompatibilis:

- minden MULTI-USB-t és váltót támogató játékkal.
- minden a piacon fellelhető kormánnyal.

\* Javasoljuk a kormány és TH8A váltó közvetlen csatlakoztatását a PC USB 2.0 (nem USB 3.0) portjába, elosztó használata nélkül.

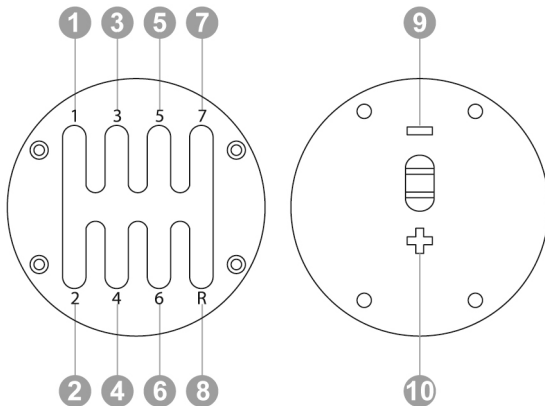
\* Néhány PC játék esetében mindig az elérhető legfrissebb játék verzióval **ke**ll játszani, ahhoz, hogy a TH8A váltó megfelelően működjön.

\* Néhány PC játék esetében (hogy, az összehangolásból eredő problémát elkerüljük a kormány és a TH8A váltó között), ajánlott:

- semmilyen extra beállítása ne legyen a kormányváltóknak.
- használni a "Hold button for gear" („Tartsa lenyomva a gombot váltáshoz”) funkciót.



## LEÍRÁS PC-RE



## SZOFTVER CSOMAG

PC-re a szoftver csomagot itt találja:

<https://support.thrustmaster.com>. Kattintson a Racing Wheels / TH8A Váltóra, majd a Drivers opcióra.

- A szoftver csomag telepítése után a következőket teheti meg:

- \* ellenőrizze a TH8A váltó firmware verzióját.
- \* frissítse a firmware-t (ha szükséges) a legfrissebb verzióval.
- \* alkalmazza a "BOOTLOADER" módszert (a váltó visszaállítása, a firmware elvesztése esetén).
- \* használja a testre szabott Control Panel-t (játék kontroller) PC-n.
- \* PC-n, élvezze az ANALÓG módot (kézfék esetében)

## A KALIBRÁCIÓS SZOFTVER HASZNÁLATA

A TH8A eszköz kalibrálása automatikusan megtörténik.

Használja PC-ről a kalibrációs szoftver applikációt, melyet a következő weboldalon érhet el: <https://support.thrustmaster.com>: válassza ki a Racing Wheels / TH8A opciót, majd a Software-t. Ez lehetőséget nyújt, hogy beállítsa a váltóbot mozgástartományát a saját ízlése szerint.

Az új beállítások azonnal elmentődnek a sebességváltó belső memóriájába (és PS4™/PS5™-en, Xbox One/Xbox Series –on és PC-n használhatóak).

## ÖSSZEFOGLALÓ A TH8A CSATLAKOZTATÁSI LEHETŐSÉGEKRŐL MÁS RENDSZEREKHEZ

	A TH8A váltó csatlakoztatása
PS4™	A játéktól és kormánytól függően (*) : - Vagy közvetlenül a PS4™/PS5™-be (USB) - vagy a kormány hátuljába (DIN)
PS5™	Mindig a kormány hátuljába (DIN)
XBOX ONE/XBOX SERIES	Mindig a kormány hátuljába (DIN)
PC	Mindig(*) közvetlenül PC-hez (USB)

*(\*) A lehetséges kivételeket érintő további információkért, olvassa el a **Fontos információk** részt az útmutató releváns részében.*

### FIGYELMEZTETÉS

\* A TH8A váltót közvetlenül csak Thrustmaster versenykormányhoz csatlakoztassa, még akkor is, ha a másik eszköznek is ugyanolyan DIN csatlakozója van. Más eszközhöz való közvetlen csatlakozás, kárt tehet a TH8A váltóban vagy a másik eszközben.

### HIBAELHÁRÍTÁS

\* A váltóm nem működik rendesen, vagy úgy tűnik, hogy nem lett rendesen kalibrálva:

- Kapcsolja ki a számítógépet vagy konzolt, húzza ki a váltót, csatlakoztassa újra és indítsa újra a játékot.
- A játékon belül a „Options/Controller” rész alatt, válassza ki és használja a legmegfelelőbb beállításokat.
- Olvassa el a használati útmutatót, vagy keressen meg minket online segítségért.

- Számos tippet és trükköt (az útmutató nem tartalmazza), pl. a kompatibilis játékok listáját is megtalálja a: <https://support.thrustmaster.com> weboldalon. Kattintson a Racing Wheels / TH8A Váltóra.

- Ahhoz, hogy a Thrustmaster kormány működjön Xbox One/Xbox Series-t használva a TH8A váltóval, szükséges lehet a versenykormány firmware-jének a frissítése PC-n keresztül. Itt érheti el: <https://support.thrustmaster.com>. Kattintson a Racing Wheels / TH8A Váltóra, majd válassza ki a Firmware opciót.

## **TERMÉKSZAVATOSSÁGI TÁJÉKOZTATÓ**

A franciaországi központú Guillemot Coporation S.A. (továbbiakban "Guillemot") (székhelyének címe: Place du Granier, B.P. 97143, 35571 Chantepie, Franciaország) világszerte garantálja a vásárlóinak, hogy a Thrustmaster által forgalmazott termék anyag és gyártási hibáktól mentes és a meghatározott szavatossági időn belül a termékkel szemben a cég eljár, ha szükséges. Az Európai Unió országain belül ez a szavatossági idő a Thrustmaster termék kiszállításától számított két (2) év. Más országokban, a Thrustmaster termékekre vonatkozó szavatossági időre azon helyi jogszabályok alkalmazandók, ahol a vásárló a vásárlás ideje alatt állandó jelleggel tartózkodott (ha a szóban forgó országnak nincsen ilyen jellegű törvénykezése, abban az esetben a Thrustmaster termék eredeti idejének vásárlásától számítva a szavatossági idő egy (1) év).

A fent meghatározottak ellenére, az akkumulátorok szavatossági ideje a vásárlástól számított hat (6) hónapon belül lejár.

Amennyiben a szavatossági idő alatt a termékben meghibásodást észlel, úgy azonnal lépjen kapcsolatba a Vevőszolgálattal és ők megmondják mit kell tennie. Ha a meghibásodást jóváhagyják, a terméket vissza kell vinnie a vásárlás helyszínére (vagy a Vevőszolgálat által kijelölt helyre).

A jótállás keretein belül, a vásárló hibás termékét a Vevőszolgálat vagy kicseréli, vagy megjavítja. Ha, a szavatossági időn belül a Thrustmaster termék javítás alatt áll legalább (7) hét napig, abban az esetben, a kiesett napok számával a szavatossági idő meghosszabbítható (ezt az időszakot az alábbiak szerint kell számolni: vagy attól a dátumtól kezdve amikor a vásárló panaszt tett vagy attól a dátumtól kezdve, amikor a termék javításra átadásra került, amennyiben ez a dátum nem esik egybe a panasztétel időpontjával). Ha az alkalmazandó jogszabályok megengedik, a Guillemot és a leányvállalatai (közvetett károkat is beleértve) egyaránt a Thrustmaster termék helyreállítására vagy annak a kicserélésre kell, hogy törekedjen. Ha az alkalmazandó jogszabályok megengedik, Guillemot a termék felhasználhatóságával és rendeltetésével kapcsolatban nem vállal garanciát.

A termékszavatosság nem érvényes: (1) ha a terméket bármilyen formában módosították, felnyitották, nem rendeltetészerűen használták, egyéb külső sérüléseknek tették ki, gondatlanul kezelték vagy normális mértékben elhasználódott és az ebből fakadó károk nem vezethetőek vissza a termék gyári meghibásodásra (beleértve, de nem kizárólagosan azt az esetet, amikor a Thrustmaster terméket valamilyen nem a Guillemot által forgalmazott tápegységgel, akkumulátorral, töltővel vagy egyéb eszközzel használták); (2) ha a terméket nem csak saját használatra, hanem szakmai vagy kereskedelmi célokra is felhasználták (pl.: játékszoba, tréning, versenyek); (3) ha a vásárló nem követte a Vevőszolgálat utasításait (4) szoftver hiba esetén. Arra más módon meghatározott jótállás érvényes; (5) fogyóeszközökre (olyan eszközök, amelyeket a termék élettartama alatt kell cserélni. Pl.: eldobható elemek, fejhallgató vagy headset fülpárna); (6) kiegészítőkre (pl.: kábelek, tokok, tasakok, táskák, csukló rögzítők); (7) ha a terméket aukció során vásárolták meg.

A jótállás nem átruházható.

A vásárló törvényes jogaira nincs hatással a termékszavatosság, akármilyen törvények is vonatkoznak a saját országában megvásárolt termékekre.

### **További termékszavatossággal kapcsolatos rendelkezések**

A szavatossági idő alatt, Guillemot semmiféle alkatrészt nem bocsájthat a vásárló részére, mivel csak a Vevőszolgálatnak van kizárólagos joga ahhoz, hogy felnyisson és/vagy megszereljen akármilyen Thrustmaster terméket (kivévelt képez az az eset, amikor a Vevőszolgálat külön írásos instrukciókkal látja el a vásárlót a szerelést illetően és az ehhez szükséges alkatrészeket is a rendelkezésére bocsájta pl.: ha nagyon egyszerű és titoktartást nem igénylő szerelési folyamatról van szó.)

Az innovációs ciklusra való tekintettel és a termék szabadalmának, illetve az üzleti titkának védelme érdekében, Guillemot nem tesz ígéretet olyan Thrustmaster termék javítására és nem szolgáltat hozzá alkatrészt, amelynek a termékszavatossága már lejárt.

Az Amerikai Egyesült Államokban és Kanadában a termékszavatosság csak a termék belső szerkezetére és a készülékházra terjed ki. Sem Guillemot, sem a partnerei nem vonhatóak felelősségre egy harmadik fél által, a közvetlen vagy közvetett garancia megszegése miatt fellépő esetleges károk miatt. Némely Államokban/Tartományokban nincs szabályozva, hogy mikor jár le a közvetett termékszavatosság vagy nincs meghatározva a felelősség mértéke vagy annak teljes kizárása közvetett vagy véletlenszerű károk okozása esetén. Ebben az esetben a fentebb említett szabályozások és kizárások nem vonatkoznak Önre. A termékszavatosság különleges törvényi jogokkal ruhazza Önt fel, illetve más jogok is megilletik, amelyek államonként és tartományonként eltérhetnek.

### **Felelősségvállalás**

Ha az alkalmazandó jogszabályok megengedik, a Guillemot Corporation S.A. (továbbiakban "Guillemot") és leányvállalatai nem vállalnak semmiféle felelősséget, ha a károk az alábbiak szerint keletkeztek: (1) a terméket bármilyen formában módosították vagy felnyitották; (2) nem tartották be az összeszerelési utasítást; (3) a terméket nem rendeltetészerűen használták, egyéb külső sérüléseknek tették ki (pl.: nyomásnak), gondatlanul kezelték; (4) a termék normális mértékben használódott el; (5) a terméket nem csak saját használatra, hanem szakmai vagy kereskedelmi célokra is felhasználták (pl.: játékszoba, tréning, versenyek). Amennyiben az alkalmazandó jogszabályok lehetővé teszik, úgy Guillemot és a leányvállalatai nem vállalnak felelősséget azon károkért, amelyek nem a termék minőségi vagy gyártási problémájából fakadnak. (beleértve, de nem kizárólagosan azt az esetet, amikor a károkat direkt vagy indirekt módon egy szoftver okozza vagy a Thrustmaster terméket valamilyen nem a Guillemot által forgalmazott tápegységgel, akkumulátorral, töltővel vagy egyéb eszközzel használták.)

## SZERZŐI JOG

© 2021 Guillemot Corporation S.A. Minden jog fenntartva. A Thrustmaster® a Guillemot Corporation S.A. bejegyzett védjegye. A PlayStation® a Sony Interactive Entertainment Inc. bejegyzett védjegye. A Microsoft® a Microsoft Corporation oltalma alatt áll az Egyesült Államokban és/vagy más országokban. Minden más védjegy és termék megnevezés a tulajdonos tulajdonában áll. Az illusztrációk nem kötelező érvényűek. A tartalom, a design és egyéb specifikációk bármikor módosíthatók további értesítés nélkül és országonként eltérhetnek. Kinában gyártva.

## KÖRNYEZETVÉDELMI AJÁNLÁS



\* Az Európai Unión belül: ha a termék élettartama lejárt, ne dobja ki a háztartási szeméttel együtt, hanem adja le egy az elektromos és elektronikus berendezések hulladékának újrafelhasználásáért felelős gyűjtőpontra. (WEEE)

Ezt az alábbi ikon is jelöli, amit a terméken, használati útmutatón és csomagoláson is megtalál.

Az anyag sajátosságaitól függően, újrafelhasználásra lehet alkalmas. Az újrafelhasználással és azzal, hogy az elektromos és elektronikus berendezések hulladék megsemmisítésének a módját követi, jelentősen hozzájárul a környezete

védelméhez. Lépjen kapcsolatba a helyi önkormányzattal, hogy hol található az Önhöz legközelebbi gyűjtőpont.

Nem Európai Uniói országokban: Vegye figyelembe a helyi elektromos és elektronikus hulladék újrafelhasználásra vonatkozó törvényt.

Őrizze meg a tájékoztatót. A színek és díszítés eltérhetnek.

Távolítsa el a műanyag rögzítőket és ragasztószalagokat a használatba vétel előtt.

[www.thrustmaster.com](http://www.thrustmaster.com)

\*EU-ban, a UK-ban és Törökországban alkalmazható



**THRUSTMASTER®**

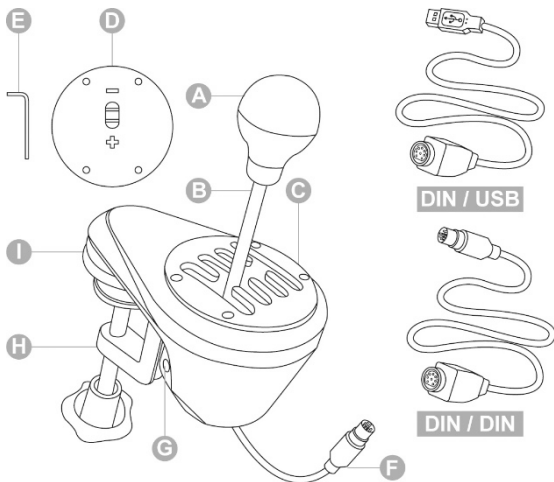
**VEVŐSZOLGÁLAT**

<https://support.thrustmaster.com>





## PlayStation®4/PlayStation®5 – Xbox One/Xbox Series – PC מדריך למשתמש



- F** כבל ומחבר DIN  
**G** בורג חיזוק פנימי  
**H** מערכת מלחציים מתכווננת  
**I** "תבריגי בורג" להתקנה על קוקפיט
- DIN/USB** כבל DIN/USB מתפרק  
**DIN/DIN** כבל DIN/DIN מתפרק

- ### תכונות טכניות
- A** תפוח מוט הילוכים מתפרק (לא מותקן כברירת מחדל)  
**B** מוט הילוכים  
**C** לוח הילוכים תבנית "H" מתכוונן (7+1) (מותקן כברירת מחדל)  
**D** לוח הילוכים "סיקוונסיאלי (+/-)" מתכוונן (לא מותקן כברירת מחדל)  
**E** מפתח אלן 2.5 מ"מ (כלול)

## אזהרה

לפני השימוש במוצר זה, הקפידו לקרוא את המדריך בעיון. שמרו את המדריך לעיון עתידי.

### **אזהרה מכת חשמל**



- \* שמרו את המוצר במקום יבש ואל תחשפו אותו לאבק או לשמש.
- \* הקפידו על כיוון הכנסת המחברים.
- \* אין לסובב או למשוך את המחברים והכבלים.
- \* אין לשפוך נוזל על המוצר או המחבר שלו.
- \* אין לקצר את המוצר.
- \* אין לפרק את המוצר (מלבד לעדכונים המתוארים במדריך זה), אין לנסות לשרוף את המוצר ואין לחשוף אותו לטמפרטורות גבוהות.

### **אזהרה - פציעות בשל תנועות חזרתיות**



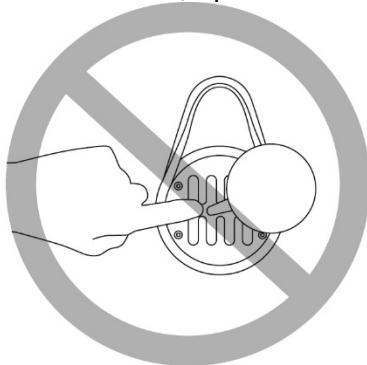
- המשחק במוט ההילוכים עלול לגרום לכאבי שרירים ומפרקים. למניעת בעיות: למניעת בעיות:
- \* הימנעו ממשחקים ממושכים.
- \* הקפידו על הפסקה של 10-15 דקות לאחר כל שעת משחק.
- \* במקרה של עייפות או כאב בידיים, במרפקי הידיים או הזרועות, הפסיקו לשחק ונוחו למשך מספר שעות לפני שתחילו לשחק שוב.
- \* אם התסמינים או הכאבים שלעיל נמשכים כאשר אתם חוזרים לשחק, הפסיקו לשחק והתייעצו עם הרופא שלכם.
- \* וודאו שבסיס מוט ההילוכים מותקן כנדרש בהתאם למתואר בהוראות שבמדריך זה.

### **אזהרה - סכנת היצבטות בפתחי לוח ההילוכים**



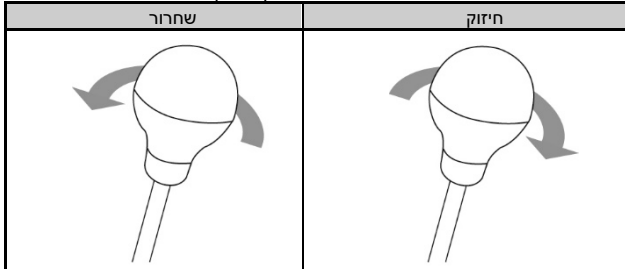
- \* הרחיקו מהישג ידם של ילדים.
- \* בעת המשחק, אין לקרב את האצבעות (או כל חלק אחר בגוף) לפתחים שבלוחות ההילוכים.

### אף פעם לא



## התקנת תפוח מוט ההילוכים

1. להברגת תפוח מוט ההילוכים (A) על המוט (B): סובבו את תפוח מוט ההילוכים לכיוון השעון.
2. לשחרור תפוח מוט ההילוכים: סובבו את התפוח נגד כיוון השעון.

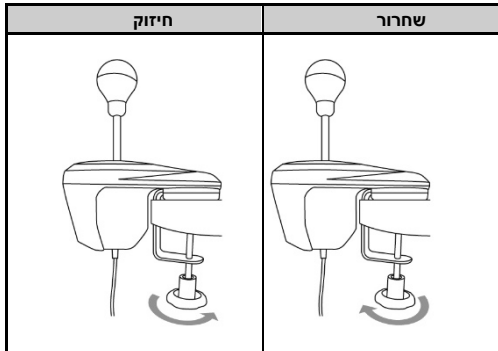


## התקנת מוט ההילוכים

- ההתקנה מותאמת לכל סוג של בסיס.
- **שולחנות או מדפים** בעובי 1-55 מ"מ באמצעות מערכת המלחציים (H).
  - **קוקפיטים**, באמצעות "תבריגי ברגים" מובנים (מערכת המלחציים ניתנת להסרה).

## התקנת מוט ההילוכים על שולחן

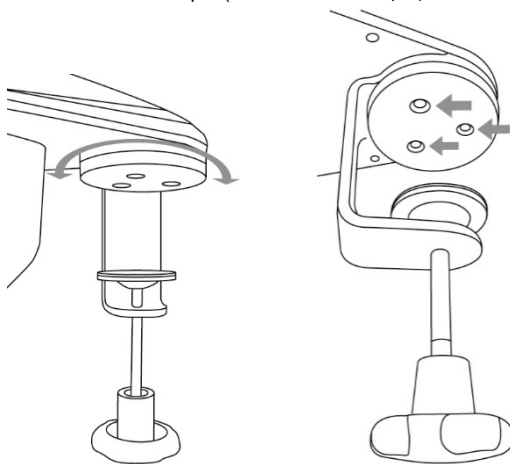
1. הניחו את בסיס מוט ההילוכים על שולחן או משטח אחר.
2. לחיזוק: סובבו את חוגת המלחציים נגד כיוון השעון.
3. לשחרור: סובבו את חוגת המלחציים לכיוון השעון.



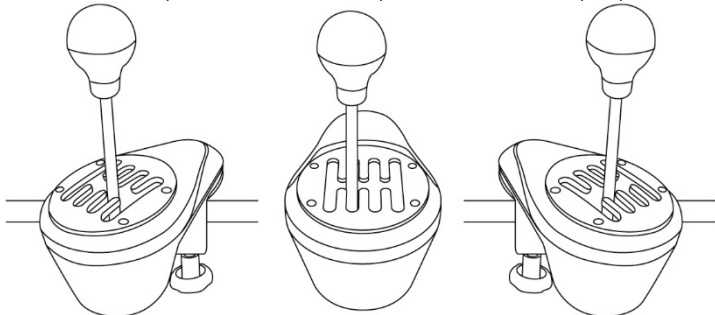


## מיקום וסיבוב מערכת המלחציים (ניתן להתאמה ב-360°)

1. באמצעות מפתח האלן 2.5 מ"מ הכלול (E), שחררו מעט מאוד את 3 הברגים המחזקים את מערכת המלחציים (H).  
את מערכת המלחציים (ולכן את מוט ההילוכים כולו) ניתן לסובב ידנית 360°.

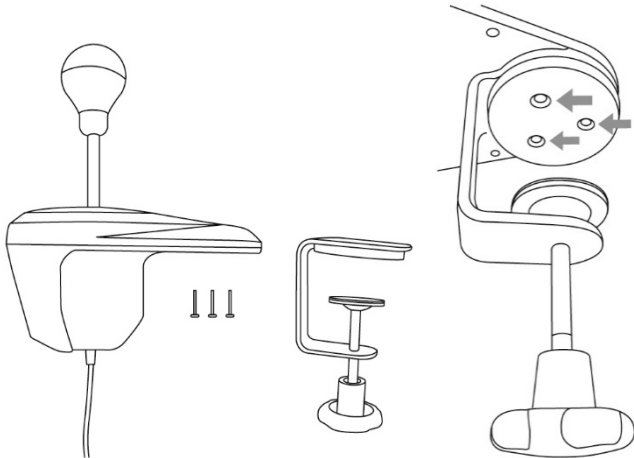


2. בחרו את המצב המועדף שלכם בציר ה-360° (להלן 3 דוגמאות מ בין האפשרויות הרבות שעומדות לרשותכם).  
לאחר מכן, חזקו שוב את 3 הברגים המחזקים את מערכת המלחציים במקום.

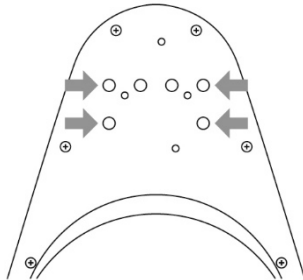


## התקנת מוט ההילוכים על קוקפיט

1. באמצעות מפתח האלן 2.5 מ"מ הכלול (E), שחררו והסירו לגמרי את 3 הברגים המחזקים את מערכת המלחציים (H). נתקו את מערכת המלחציים ממוט ההילוכים.



2. לאחר הסרת מערכת המלחציים, הבריחו 2 ברגי "M6" (לא כלול) במדף הקוקפיט ולתוך 2 מתוך 4 "תבריגי הבורג" הקטנים (I) שבחלק התחתון של חרטום מוט ההילוכים.

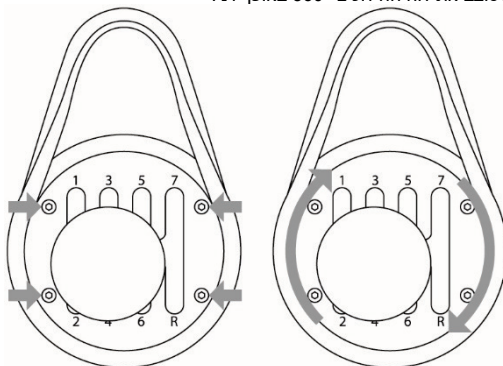


הקפידו שלא להשתמש בברגי "M6" ארוכים מדי אשר עלולים לנקב ולפגוע בחלק העליון של חרטום מוט ההילוכים.

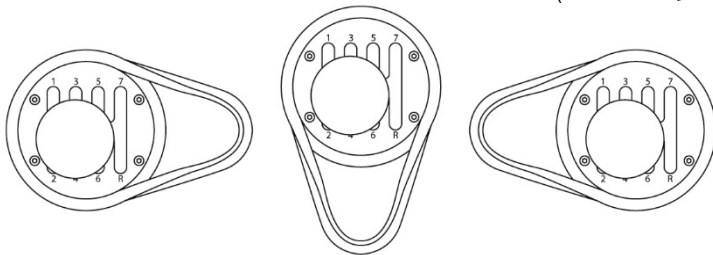
ניתן להוריד תבנית להתקנת מוט ההילוכים בקוקפיט בכתובת <https://support.thrustmaster.com> הקליקו על הגאי מרוץ / מוט ההילוכים TH8A ובחרו מדריך (Racing Wheels / TH8A Shifter/Manual).

## מיקום וסיבוב לוחות ההילוכים (ניתן להתאמה ב-360°)

1. באמצעות מפתח האלן 2.5 מ"מ הכלול (E), שחררו מעט מאוד את 4 הברגים המחזיקים את לוח מוט ההילוכים (C או D).  
 כעת ניתן לסיבוב את לוח ההילוכים 360° באופן ידני.



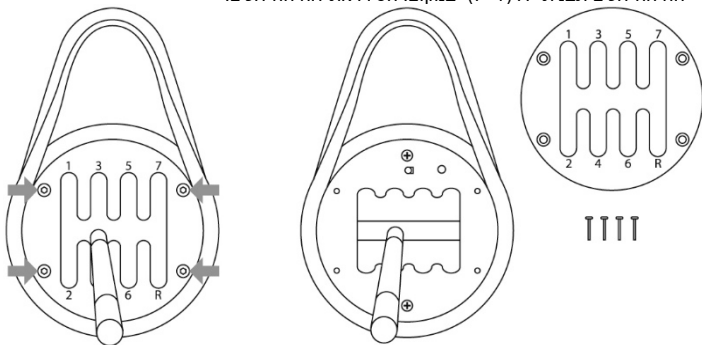
2. בחרו את המצב המועדף שלכם בציר ה-360° (להלן 3 דוגמאות מ בין האפשרויות הרבות שעומדות לרשותכם).



3. חזקו שוב את 4 הברגים המחזיקים את לוח ההילוכים במקום.

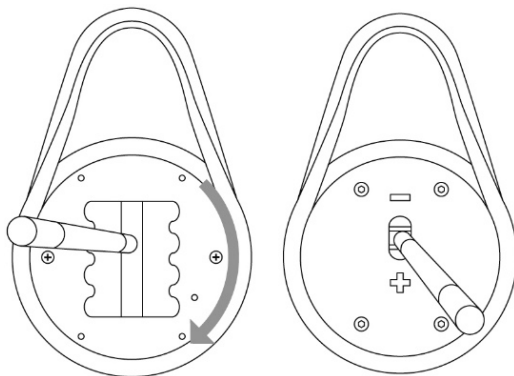
## מעבר מלוח הילוכים תבנית "H (7+1)" ללוח הילוכים "סיקוונסיאלי (+/-)" מתכוונן

1. שחררו (נגד כיוון השעון) והסירו את תפוח ידיית ההילוכים (A).
2. באמצעות מפתח האלן 2.5 מ"מ הכלול (E), שחררו והסירו לגמרי את 4 הברגים המחזקים את לוח ההילוכים תבנית "H (7+1)" במקום. הסירו את לוח ההילוכים.

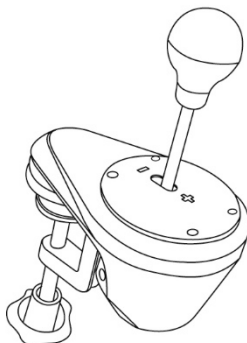


**בעת ביצוע פעולה זו, הקפידו שלא יפלו ברגים אל תוך המנגנון הפנימי.**

3. סובבו את המבנה הפנימי  $90^\circ$  לימין באופן ידני (לכיוון השעון). כעת, התקינו את לוח הילוכים "סיקוונסיאלי (+/-)".



4. באמצעות מפתח האלן 2.5 מ"מ הכלול (E), החזירו וחזקו לגמרי את 4 הברגים המחזקים את לוח ההילוכים תבנית "הסיקוונסאלי +/-" במקום. הבריגו את תפוח מוט ההילוכים חזרה (לכיוון השעון)



בצעו את הפעולה הזו בסדר הפוך להחזרת לוח ההילוכים בתבנית "H (7+1)"

## הערות ביחס למכסה העליון של המבנה הפנימי:



J: 4 "תברגי בורג" לחיבור לוחות ההילוכים (C או D).

K: 2 ברגים אשר מחזיקים את המבנה הפנימי במקומו (אין לפרק).

L: כפתור המזהה באופן אוטומטי את סוג לוח ההילוכים שבשימוש (C או D). נלחץ באופן אוטומטי כאשר מותקן לוח ההילוכים הסיקוונסיאלי (+/-). הקפידו על ניקיון אזור זה על מנת למנוע בעיות זיהוי.

M: חריץ למיקום נוח יותר של לוחות ההילוכים.

## התאמת התנגדות מוט ההילוכים

\* מתייחס רק ללוח ההילוכים תבנית "H (7+1)"  
\* לפני ביצוע כיוונים כלשהם, חובה להתקין את לוח ההילוכים תבנית "H (7+1)" במקומו המקורי (עיינו בתרשים שלהלן).



1. באמצעות מברג שטוח, הכניסו את המברג לראש בורג החיזוק הפנימי (G) אשר מצוי בחלק התחתון של תיבת ההילוכים.
2. להגברת ההתנגדות מעט: סובבו את הבורג בכיוון השעון.
3. להורדת ההתנגדות מעט: סובבו את הבורג נגד כיוון השעון.



2 סיבובים מלאים מספיקים למעבר מקצה אחד לשני.



**למניעת נזק למערכת:**

- הפסיקו לחזק את הבורג כאשר אתם מרגישים התנגדות חזקה.  
- הפסיקו לשחרר את הבורג עם מוט ההילוכים משתחרר או מתנדנד.

## PLAYSTATION®4/PLAYSTATION®5

**בהתאם למשחק PS4™/PS5™ או להגה המרוצים בו אתם משתמשים:**  
**PS4™ = חברו(\*) את מוט ההילוכים TH8A ישירות לפתח ה-USB ב- PS4™**

- חברו את מחבר ה-DIN של מוט ההילוכים TH8A לכבל DIN/USB.
  - חברו את מוט ההילוכים TH8A לאחד מפתחי ה-USB ב-PS4™.
  - הפעילו את המשחק.
- מוט ההילוכים TH8A יכול לפעול עם לוחות הילוכים בתבנית H (7+1) או לוח סיקוונסיאלי.

או

**PS4™/PS5™ = חברו(\*) את מוט ההילוכים TH8A לתושבת הגה המרוץ Thrustmaster**

- (רלוונטי רק אם הגה המרוצים Thrustmaster שלכם מגיע עם מחבר מוט הילוכים מובנה)
- חברו את מחבר ה-DIN של מוט ההילוכים TH8A לכבל DIN/DIN המתנתק.
  - חברו את מוט ההילוכים TH8A למחבר מוט ההילוכים שבחלק האחורי בתושבת הגה המרוצים.
  - חברו את הגה המרוצים והפעילו את המשחק.
- מוט ההילוכים TH8A יכול לפעול עם לוחות הילוכים בתבנית H (7+1) או לוח סיקוונסיאלי.

**(\*) המלצות חשובות למערכת PS4™/PS5™** (רלוונטי רק אם הגה המרוצים Thrustmaster מגיע עם מחבר מוט הילוכים מובנה)

**PS4™/PS5™:** בשימוש בלוח הילוכים סיקוונסיאלי (+/-) במוט TH8A, תוכלו גם לחבר את מוט ההילוכים בחלק האחורי של הגה המרוצים בעזרת כבל DIN/DIN המתנתק. מוט ההילוכים TH8A מתחבר לידיות UP (=R1) ו-DOWN (=L1) בהגה המרוץ.  
בהגה מרוצים זה, לוח ההילוכים הסיקוונסיאלי (+/-) של מוט TH8A מתאים ל-100% ממשחקי המרוץ של PS4™/PS5™ המתאימים להגה מרוצים זה.

**PS4™:** ישנם משחקים המאפשרים לכם להשתמש בשני מוטות הילוכים TH8A בו זמנית: מוט הילוכים TH8A אחד עם לוח הילוכים בתבנית H (7+1), המחובר לפתח ה-USB של ה-PS4™ + מוט הילוכים TH8A אחד עם לוח הילוכים סיקוונסיאלי (+/-) אשר מחובר לחלק האחורי של הגה המרוצים

\* את רשימת משחקי PS4™/PS5™ המתאימים למוט ההילוכים TH8A והוראות החיבור הרלוונטיות(\*) (אשר משתנות בהתאם למשחקים), ניתן להוריד כאן: <https://support.thrustmaster.com> הקליקו על הגאי מרוץ / מוט הילוכים TH8A ובחרו הגדרות משחק (Racing Wheels/TH8A Shifter/Games settings). רשימה זו מתעדכנת באופן שוטף.  
\* במערכות PS4™, אנו ממליצים שלא להשתמש במרכז USB בחיבור הגה המרוצים או מוט ההילוכים TH8A, חברו את ההתקן ישירות לפתחי ה-USB ב-PS4™.  
\* ישנם משחקים הדורשים את העדכונים האחרונים כדי שמוט ההילוכים TH8A יפעל בצורה תקינה (קונסולת המשחקים שלכם צריכה להיות מחוברת לאינטרנט).



= עם כל משחקי Xbox One/Xbox Series, חברו את מוט ההילוכים TH8A ישירות לתושבת הגה המרוץ Thrustmaster (אף פעם לא לפתח ה-USB של קונסולת המשחקים).

- חברו את מחבר ה-DIN של מוט ההילוכים TH8A לכבל DIN/DIN המתנתק.
  - חברו את מוט ההילוכים TH8A למחבר מוט ההילוכים שבחלק האחורי בתושבת הגה המרוצים.
  - חברו את הגה המרוצים והפעילו את המשחק.
- מוט ההילוכים TH8A יכול לפעול עם לוחות הילוכים בתבנית H (7+1) או לוח סיקוונסיאלי.

### הערה חשובה בעניין Xbox One/Xbox Series:

בשימוש בלוח ההילוכים הסיקוונסיאלי (+/-) של מוט ההילוכים TH8A, מוט ההילוכים מחובר לידידות ההילוכים UP (=RB) ו-DOWN (=LB) של הגה המרוצים  
בשימוש בלוח ההילוכים הסיקוונסיאלי (+/-) של מוט ההילוכים TH8A, מוט ההילוכים TH8A פועל עם 100% ממשחקי המרוץ ל-Xbox One/Xbox Series אשר מתאימים להגה המרוצים של Thrustmaster עבור Xbox One/Xbox Series.

\* רשימת משחקים ל-Xbox One/Xbox Series אשר מתאימים למוט ההילוכים TH8A מופיעה כאן:  
<https://support.thrustmaster.com>. הקליקו על הגאי מרוץ / מוט ההילוכים TH8A ובחרו הגדרות משחק (Racing Wheels / TH8A Shifter/Games settings).  
רשימה זו מתעדכנת באופן שוטף.

\* ישנם משחקים הדורשים את העדכונים האחרונים כדי שמוט ההילוכים TH8A יפעל בצורה תקינה (קונסולת המשחקים שלכם צריכה להיות מחוברת לאינטרנט).



כדי לוודא התאמה בין הגה המרוצים Thrustmaster שלכם ל-Xbox One/Xbox Series עם מוט ההילוכים TH8A, ייתכן שתידרשו לעדכן את קושחת הגה המירוץ בגרסה האחרונה באמצעות PC, כדלהלן:  
<https://support.thrustmaster.com>. הקליקו על הגאי מרוץ / מוט ההילוכים TH8A ובחרו קושחה.

## הוראות התקנה ל-PC

**= עם כל משחקי PC (\*), חברו את מוט ההילוכים TH8A ישירות לאחד מתחי ה-USB ב-PC.**

- חברו את מחבר ה-DIN של מוט ההילוכים TH8A לכבל DIN/USB.
  - חברו את מוט ההילוכים TH8A לאחד מפתחי ה-USB ב-PC.
  - בחיבור ל-PC, מוט ההילוכים TH8A הוא מכשיר Plug & Play אשר מזוהה ומתקן באופן אוטומטי.
  - המכשיר מופיע בלוח הבקרה Windows® כ-"T500 RS Gear Shift".
  - לחצו על מאפיינים על מנת לבדוק ולצפות בתכונות המכשיר.
  - הפעילו את המשחק.
- קעת אתם מוכנים למרוץ!**

**(\* המלצות חשובות ל-PC)** (רלוונטי רק אם הגה המרוצים Thrustmaster מגיע עם מחבר מוט ההילוכים מובנה)

- בשימוש בלוח ההילוכים סיקוונסיאלי (+/-) במוט TH8A, תוכלו גם לחבר את מוט ההילוכים בחלק האחורי של הגה המרוצים בעזרת כבל DIN/DIN המתנתק. מוט ההילוכים TH8A מתחבר לידיות UP (=2) ו-DOWN (=1) בהגה המרוץ. בהגה מרוצים זה, לוח ההילוכים הסיקוונסיאלי (+/-) של מוט TH8A מתאים ל-100% ממשחקי המרוץ של PC המתאימים להגה מרוצים זה.

- ישנם משחקים המאפשרים לכם להשתמש בשני מוטות ההילוכים TH8A בו זמנית: מוט ההילוכים TH8A אחד עם לוח ההילוכים תבנית H (7+1), המחובר לפתח ה-USB של ה-PC + מוט ההילוכים TH8A אחד עם לוח ההילוכים סיקוונסיאלי (+/-) אשר מחובר לחלק האחורי של הגה המרוצים

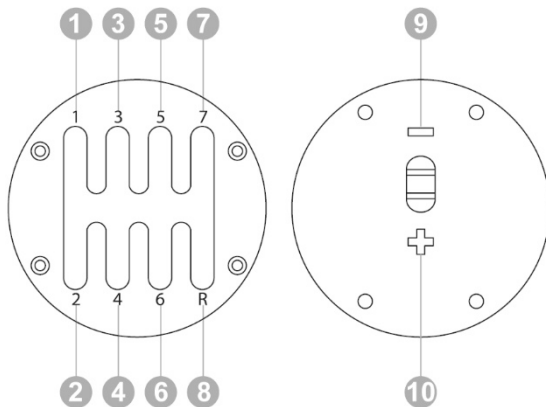
\* ב-PC, מוט ההילוכים Thrustmaster, מתאים ל:

- כל המשחקים התומכים ב-Multi-USB ומוטות ההילוכים.  
- כל סוגי ההגאים הקיימים בשוק.

\* אנו ממליצים לחבר את הגה המרוץ ומוט ההילוכים TH8A ישירות לפתח ה-USB 2.0 ב-PC שלכם (לא פתח USB 3.0), מבלי להשתמש במרכזת.

\* במשחקי PC מסויימים, אתם חייבים להתקין את עדכוני המשחק האחרונים על מנת שמוט ההילוכים TH8A יפעל בצורה תקינה.

\* במשחקי PC מסויימים (למניעת התנגשות בין ההגה ומוט ההילוכים TH8A) ייתכן ותידרשו:  
- לא למפות דבר לידיות ההילוכים בהגה.  
- להפעיל את פונקציית "לחיצה ההילוכים".



## חבילת תוכנה

ניתן להוריד חבילת תוכנה ל-PC בכתובת זו: <https://support.thrustmaster.com>. הקליקו על הגאי מרוץ / מוט הילוכים TH8A ובחרו דרייברים (Racing Wheels / TH8A Shifter/Drivers).

- לאחר התקנת חבילת התוכנה, תוכלו:

- \* לבדוק את גרסת הקושחה של מוט ההילוכים TH8A שלכם.
- \* לעדכן את הקושחה (במידת הצורך) בגרסה הזמינה האחרונה.
- \* להשתמש בשיטת "BOOTLOADER" (לאתחול מוט ההילוכים במקרה של אובדן קושחה).
- \* להיכנס ללוח בקרה (בקך משחקים) ייעודי ב-PC.
- \* ב-PC, ליהנות ממצב אנלוגי (בלם יד)

## תוכנת כיוול מתקדמת

כיוול מוט ההילוכים TH8A מתבצע באופן אוטומטי. ניתן גם להוריד אפליקציה עם תוכנת כיוול מתקדמת ל-PC כאן: <https://support.thrustmaster.com>. הקליקו על הגאי מרוץ / מוט הילוכים TH8A ובחרו בתוכנה (Racing Wheels / TH8A Shifter/Software). הדבר מאפשר לכם להתאים את תנועת מוט ההילוכים שלכם לנוחותכם.

לאחר סיום ההגדרות, הן נשמרות מייד לזיכרון הפנימי של מוט ההילוכים (וניתן להשתמש בהם ב-PC, Xbox One/Xbox Series, PS4™/PS5™).

## סיכום ההוראות לחיבור מוט ההילוכים TH8A למערכות שונות

חברו את מוט ההילוכים TH8A	
בהתאם למשחק או הגה המרוץ (*): - ישירות למערכת PS4™/PS5™ (USB) - או בחלק האחורי של הגה המרוצים (DIN)	PS4™
תמיד בחלק האחורי של הגה המרוצים (DIN)	PS5™
תמיד בחלק האחורי של הגה המרוצים (DIN)	XBOX ONE/XBOX SERIES
תמיד (* ישירות ל-USB (PC)	PC

(\* למידע נוסף ביחס ליוצאים מן הכלל, עיינו בפרק המלצות חשובות בעמודים הרלוונטיים במדריך.

### אזהרה

\* אין לחבר את מוט ההילוכים TH8A ישירות לכל התקן מלבד הגה המרוצים Thrustmaster, גם אם קיים בהתקן מחבר DIN זהה. הדבר עלול לגרום נזק למוט ההילוכים TH8A או למכשיר השני.

### פתרון בעיות

\* מוט ההילוכים שלי אינן פועל בצורה תקינה או נראה שאינו מכויל נכון:  
- כבו את המחשב או הקונסולה, נתקו את מוט ההילוכים, חברו מחדש והפעילו את המשחק מחדש.  
- במשחק שלכם, תחת "אפשרויות/בקר", בחרו או הגדירו את התצורה המתאימה ביותר.  
- עיינו במדריך המשתמש למשחק שלכם או פנו לעזרה מקוונת לפרטים נוספים.

- ניתן למצוא נושאי עזרה וטיפים נוספים (שאינם מופיעים במדריך זה), רשימת משחקים תואמים וכולי באתר <https://support.thrustmaster.com> הקליקו על הגאי מרוץ / מוט היילוכים TH8A (Racing Wheels / TH8A Shifter).

- ב-Xbox One/Xbox Series, כדי לוודא התאמה בין הגה המרוצים Thrustmaster שלכם ל- Xbox One/Xbox Series עם מוט ההילוכים TH8A, ייתכן שתידרשו לעדכן את קושחת הגה המרוץ בגרסה האחרונה באמצעות PC, כדלהלן: <https://support.thrustmaster.com>. הקליקו על הגאי מרוץ / מוט היילוכים TH8A ובחרו קושחה.

Guillemot Corporation S.A., שמשרדיה הרשומים ב- 97143 B.P. Place du Granier, 35571, Chantepie, France (להלן: "Guillemot") מתחייבת לצרכן ברחבי העולם כי מוצר Thrustmaster zv יהיה נקי מפגמים בחומרים ובעבודה למשך תקופת אחריות התואמת את פרק הזמן להגשת תביעת תאימות ביחס למוצר זה. במדינות האיחוד האירופי, פרק הזמן האמור הוא שנתיים (2) ממועד אספקת מוצר Thrustmaster. במדינות אחרות, תקופת האחריות תואמת את פרק הזמן להגשת תביעת תאימות ביחס למוצר ה-Thrustmaster על פי החוקים החלים במדינה בה התגורר הצרכן בעת רכישת מוצר ה-Thrustmaster (בהיעדר הגדרה כאמור במדינה הרלוונטית, תקופת האחריות תהיה לשנה אחת (1) מתאריך הרכישה המקורי של מוצר ה-Thrustmaster).

על אף האמור לעיל, סוללות נטענות מכוסות בתקופת אחריות בת שישה (6) חודשים מתאריך הרכישה המקורי.

במקרה והמוצר נראה פגום במהלך תקופת האחריות, פנו מייד למחלקת התמיכה הטכנית, אשר תספק לכם הוראות להמשך הטיפול. אם הפגם מאומת, יש להחזיר את המוצר לנקודת הרכישה (או לכל מקום אחר שייקבע על ידי מחלקת התמיכה הטכנית).

במסגרת אחריות זו, המוצר הפגום של הצרכן יוחלף או יתוקן על פי בחירת מחלקת התמיכה הטכנית. אם, במהלך תקופת האחריות, מוצר ה-Thrustmaster נמצא בתיקון, כל תקופה עד שבעה (7) ימים בהם המוצר אינו בשימוש, תוסף ליתרת תקופת האחריות (התקופה מתחילה עם בקשת הצרכן להתערבות או מהתאריך בו המוצר נמסר לתיקון, אם התאריך בו המוצר נמסר לתיקון הוא אחרי תאריך בקשת ההתערבות). במידה והדבר מותר על פי החוק החל, מלאו החבות של Guillemot וחברות הבת שלה (לרבות נזקים תוצאתיים) מוגבלת להחזרת מוצר ה-Thrustmaster לפעולה או החלפתו. במידה והדבר מותר על פי החוק החל, Guillemot מסירה כל אחריות לסחירות או התאמה למטרה מסוימת.

האחריות לא תחול: (1) אם המוצר שונה, נפתח, עודכן או ניזוק כתוצאה משימוש בלתי הולם, רשלנות, תאונה, בלאי סביר או כל גורם אחר שאינו קשור בפגם בחומרים או בייצור (לרבות, אך ללא הגבלה, שילוב מוצר Thrustmaster עם כל מרכיב בלתי הולם, לרבות בעיקר ספקי כוח, סוללות נטענות, מטענים או כל רכיב אחר שאינו מסופק למוצר זה על ידי Guillemot); (2) אם המוצר שימש לכל מטרה שהיא מעבר לשימוש ביתי, לרבות למטרות מקצועיות או מסחריות (למשל, חדרי משחקים, הדרכה, תחרויות); (3) במקרה של אי עמידה בהוראות ממחלקת התמיכה הטכנית; (4) על תוכנה, כאשר התוכנה כפופה לאחריות ספציפית; (5) לרכיבים מתכלים (רכיבים שיוחלפו לאורך חי המוצר: כגון סוללות חד פעמיות, אוזניות או רפידות לאוזניות); (6) על אביזרים (כגון כבלים, מארזים, תיקים, רצועות); (7) אם המוצר נמכר במכירה פומבית.

האחריות אינה ניתנת להעברה.

אחריות זו לא תשפיע על הזכויות החוקיות של הצרכנים ביחס לחוקים החלים על מכירת מוצרי צריכה בארץ שלהם.

בתקופת האחריות, Guillemot לא תספק חלקי חילוף באופן עקרוני שכן מחלקת התמיכה הטכנית היא הגוף היחיד המוסמך לפתוח ו/או לתקן כל מוצר Thrustmaster שהוא (לא כולל נהלי טיפול שעשויה מחלקת התמיכה הטכנית לבקש מהצרכנים בהוראות בכתב - למשל, בשל פשטות התיקון והיעדר הסודיות בתהליך התיקון - ותוך אספקת חלקי) החילוף לצרכנים כנדרש, בהתאם לעניין). בהתחשב במחזורי החדשנות שלה ובמטרה להגן על הידע והסודות המסחריים שלה, Guillemot לא תספק, באופן עקרוני, כל הודעת תיקון או חלקי חילוף למוצר Thrustmaster שתקופת האחריות לגביו פקעה.

בארה"ב ובקנדה, אחריות זו מוגבלת למנגנון הפנימי ולזיווד החיצוני של המוצר. Guillemot והחברות השותפות לה לא תהיינה אחראיות כלפי צד שלישי בגין נזקים תוצאתיים או נלווים הנובעים מתוך הפרה של כל התחייבות מפורשת או מרומזת. ישנן מדינות/מחוזות שאינן מאשרות הגבלה על תקופת אחריות מרומזת או החרגה או הגבלת חבות בגין נזקים תוצאתיים או נלווים, לכן ייתכן כי ההגבלות או ההחרגות לעיל אינן חלות עליכם. האחריות מקנה לכם זכויות חוקיות פציפיות וייתכן שעומדות לרשותכם זכויות נוספות המשתנות ממדינה למדינה או ממחוז למחוז.

### חבות

במידה והדבר מותר על פי חוק, Guillemot Corporation S.A. (להלן: "Guillemot") וחברות הבת שלה מסירות כל חבות בגין נזקים שנגרמו על ידי אחד או יותר מהבאים: (1) המוצר שונה, נפתח או עודכן; (2) אי עמידה בהוראות ההרכבה; (3) שימוש בלתי הולם או בלתי ראוי, רשלנות, תאונה (כגון התנגשות); (4) בלאי סביר; (5) שימוש לכל מטרה שהיא מעבר לשימוש ביתי, לרבות למטרות מקצועיות או מסחריות (למשל, חדרי משחקים, הדרכה, תחרויות). במידה והדבר מותר על פי חוק, Guillemot וחברות הבת שלה מסירות על חבות בגין נזקים שאינם קשורים בפגם בחומרים או בייצור (לרבות, אך ללא הגבלה, נזקים שנגרמו על ידי תוכנה כלשהי באופן ישיר או עקיף, או משילוב מוצר Thrustmaster עם כל מרכיב בלתי הולם, לרבות בעיקר ספקי כוח, סוללות נטענות, מטענים או כל רכיב אחר שאינו מסופק למוצר זה על ידי Guillemot).

© 2021 Guillemot Corporation S.A. כל הזכויות שמורות. Thrustmaster® הוא סמל מסחרי של Sony Interactive Entertainment Inc. PlayStation®. Guillemot Corporation S.A. הוא סמל מסחרי רשום של Sony. © 2021 Microsoft Corporation. Windows®. Microsoft® הוא סמל מסחרי רשום של Microsoft Corporation בארה"ב ו/או במדינות אחרות כל שאר הסימנים המסחריים הם בבעלות המחזיקים בהם. האיריס אינם מחייבים. תוכן, עיצובים ומפרטים נתונים לשינוי ללא הודעה ועשויים להשתנות ממדינה למדינה. תוצרת סין

#### המלצת איכות הסביבה

\*באיחוד האירופי: עם סיום חיי המוצר, אין להשליך אותו ביחד עם פסולת ביתית, אלא למסור אותו לתחנת איסוף להשלת פסולת חשמלית או אלקטרונית (WEEE) לצורך מחזור. הוראה זו מצוינת באמצעות הסימן המופיע על המוצר, מדריך השימוש או האריזה. בהתאם לתכונותיהם, ניתן למחזר את החומרים. באמצעות מחזור ועיבוד פסולת חשמלית או אלקטרונית, תוכלו לתרום באופן משמעותי להגנה על הסביבה. פנו לרשויות המקומיות למידע בנושא נקודת האיסוף הקרובה אליכם. בכל שאר המדינות: יש לפעול על פי חוקי המחזור המקומיים ביחס לציוד חשמלי ואלקטרוני.



יש לשמור מידע זה. הצבעים והעיטורים עשויים להשתנות. יש להסיר מחברי פלסטיק ודבקים מהמוצר לפני השימוש.

[www.thrustmaster.com](http://www.thrustmaster.com)

\*רלוונטי באיחוד האירופי, בבריטניה ובטורקיה בלבד



**THRUSTMASTER®**

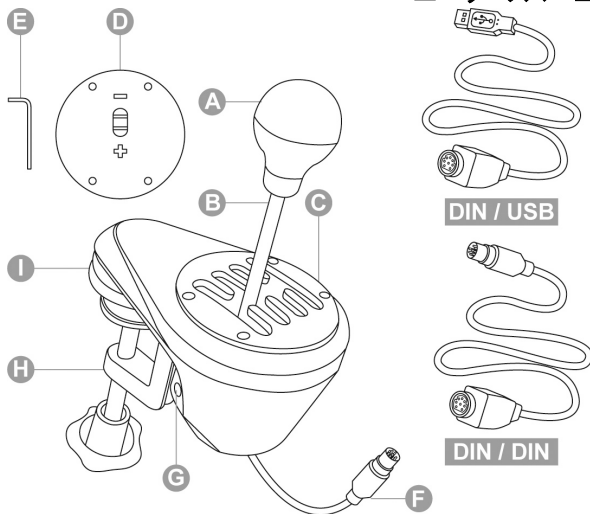
תמיכה טכנית

<https://support.thrustmaster.com>



## PlayStation®4/PlayStation®5 – Xbox One/Xbox Series – PC

### ユーザーズマニュアル



### 技術仕様

- A** 取り外し可能なギアシフトノブ  
(出荷時には取り付けられていません)
- B** スティック
- C** 調節可能な“Hパターン(7+1)”シフトプレート  
(出荷時設定)
- D** 調節可能な“シーケンシャル(+/-)”シフトプレート  
(出荷時には取り付けられていません)
- E** 2.5 mm 六角レンチ(付属)

- F** ケーブルおよび DIN コネクタ
- G** 内部ねじ
- H** 調節可能なクランプシステム
- I** コックピット取り付け用“ねじ山”

**DIN/USB** 着脱可能 DIN/USB ケーブル  
**DIN/DIN** 着脱可能 DIN / DIN ケーブル



## 警告

本製品をお使いになる前に、このマニュアルをしっかりとお読みください。また、必要な時に読めるように大切に保管してください。



### 警告 - 感電

- \* 本製品は湿気・ホコリの多い場所や、直射日光のあたる場所で保管しないでください。
- \* 取り付けの際は、コネクターの向きをよく確認してください。
- \* コネクターやケーブルを、ねじったり引っ張ったりしないでください。
- \* 本製品やコネクターをぬらさないでください。
- \* 本製品をショートさせないでください。
- \* 本製品の分解や改造は絶対にしないでください(このマニュアルの指示に沿った調整は除く)。また、本製品を火の中に投棄したり、高温にさらしたりしないでください。



### 警告 - 繰り返しの動きによる負傷の可能性

シフトレバーを使用したゲームプレイは、筋肉や関節の痛みを引き起こす可能性があります。この危険性は、次のような予防措置をとることによって減らすことができます。

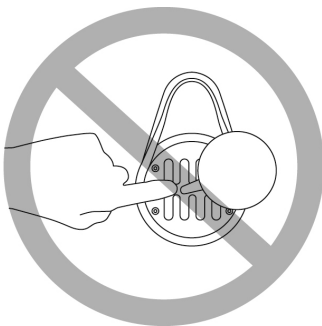
- \* 長時間連続のプレイは避けてください。
- \* 1時間のプレイごとに10～15分の休憩をとるようにしてください。
- \* 手、手首、腕、足を始めとする身体の部位に疲れや痛みを感じたときはプレイをただちに中止し、再開する前に数時間の休憩をとるようにしてください。
- \* 休憩後にプレイを再開しても、上記の症状や痛みがとれない場合は、プレイを中止して医師に相談してください。
- \* シフトレバーのベース部が、本ユーザーマニュアルの記載どおりに正しく設置されていることを確認してください。



### 警告 - シフトレバーのすき間に注意

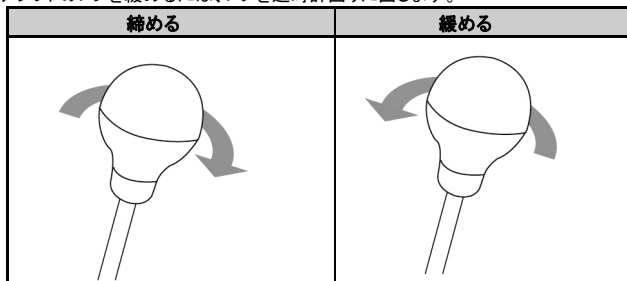
- \* お子様の手が届かない場所で使用してください。
- \* ゲームのプレイ中は、シフトレバーのすき間に指などを絶対に近づけないでください。はさまれてケガをする危険があります。

## 危険



## ギアシフトノブの取り付け

1. ギアシフトのノブ (A) をスティック (B) に取り付けるには、ギアシフトのノブを時計回りに回します。
2. ギアシフトのノブを緩めるには、ノブを逆時計回りに回します。



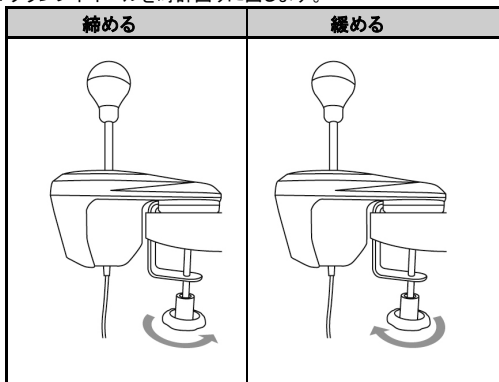
## シフトレバーを取り付ける

取り付け台は、次のような場所に設置可能です。

- 厚さ 1~55mm のテーブル、机または棚 (クランプシステム (H) を使って取り付け)
- コックピット (コックピット取付用の“ねじ山”を使用。クランプシステムは取り外しできます。)

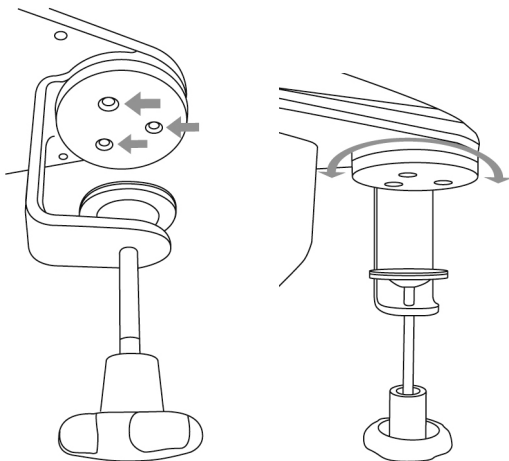
## シフトレバーをテーブルまたは机に固定する

1. シフトレバーのノーズ部分を、テーブルなど平らで水平な場所に置きます。
2. 締めるとき: クランプホイールを逆時計回りに回します。
3. 緩めるとき: クランプホイールを時計回りに回します。

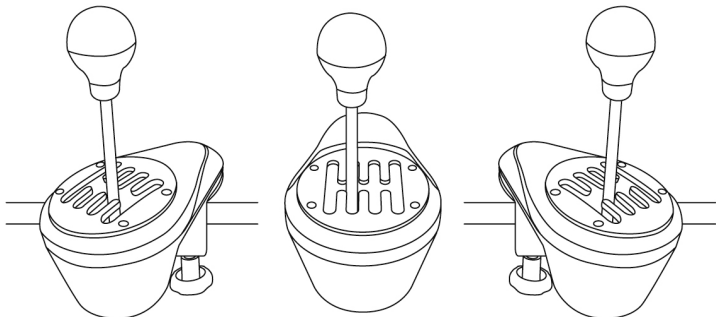


## クランプシステムの位置を移動する・回転する(最大 360° )

1. 付属の 2.5 mm 六角レンチ (E) で、クランプシステムを固定している 3 本のねじ (H) をほんの少しだけ緩めます。  
この状態で、クランプシステム(つまりシフトレバー全体)を 360° まで回転できます。

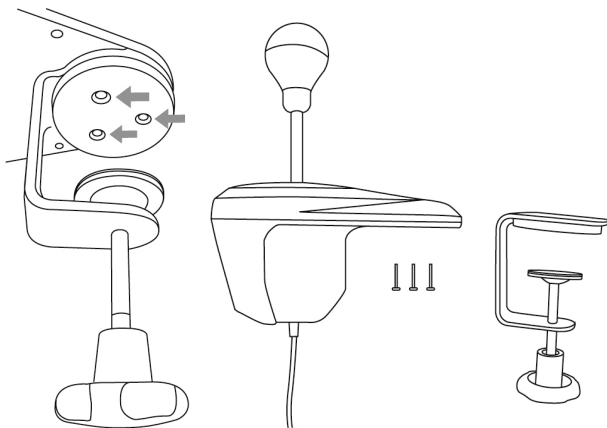


2. 回転角度 360° のうち、任意のポジションにセットします(下図は 3 つのセッティング例ですが、その他多彩なセッティングが可能です)。  
クランプシステムを固定するねじを締め直します。

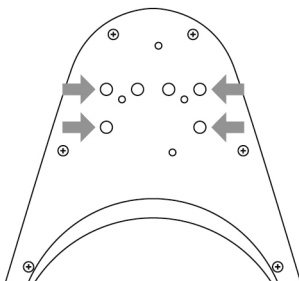


## シフトレバーをコックピットに取り付ける

1. 付属の 2.5 mm 六角レンチ (E) で、クランプシステム (H) を固定している 3 本のねじを緩めて取り外します。クランプシステムをシフトレバーから取り外します。



2. クランプシステムを取り外したら、2 本の “M6” ねじ (付属していません) を、コックピットと、シフトレバーのノーズ部分の下側にある 4 つの “ねじ山” (I) のうち 2 つにそれぞれ締め込みます。



**長すぎる “M6” ねじは絶対に使用しないでください。  
使用すると、シフトレバーのノーズ部分が貫通・破損するおそれ  
あります。**

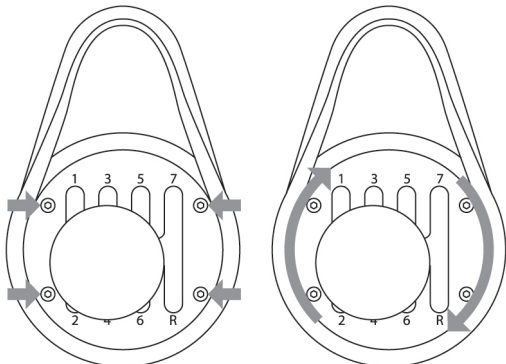
**コックピット用のシフター取り付けテンプレートは**

<https://support.thrustmaster.com> から入手できます。[Racing Wheels] / [TH8A Shifter] をクリックし、[Manual] を選択します。

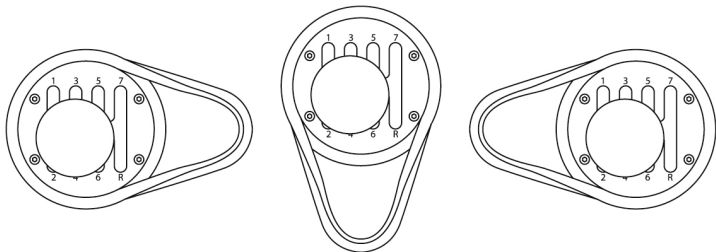
## シフトプレートの位置を移動する・回転する(最大 360° )

1. 付属の 2.5 mm 六角レンチ (E) で、シフトプレートを固定している 4 本のねじ (C または D) を少しだけ緩めます。

この状態で、シフトレバーを 360° まで回転できます。



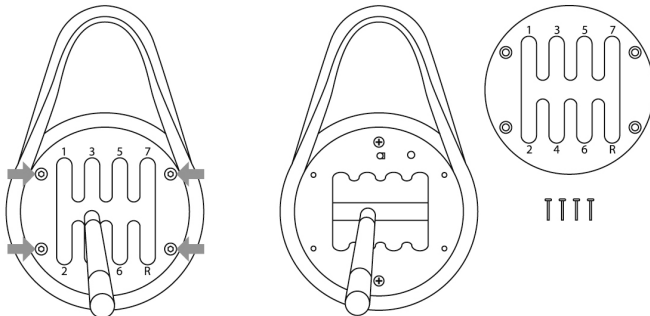
2. 回転角度 360° のうち、任意のポジションにセットします(下図は 3 つのセッティング例ですが、その他多彩なセッティングが可能です)。



3. シフトプレートを固定している 4 本のねじを締め直します。

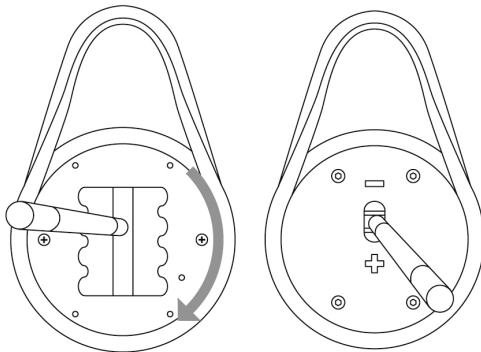
## “H パターン(7+1)” シフトプレートから “シーケンシャル(+/-)” シフトプレートに切り替える

1. ねじを緩めて(逆時計回り)、ギアシフトのノブ (A) を取り外します。
2. 付属の 2.5 mm 六角レンチ (E) で、“H パターン(7+1)” シフトプレートを固定している 4 本のねじを緩めて取り外します。シフトプレートを取り外します。

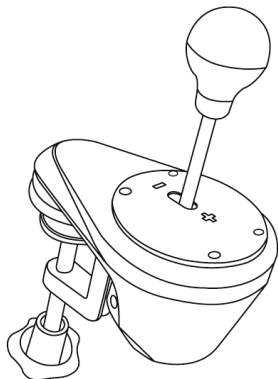


**この手順を実行する際、ねじを筐体内部に  
落とさないようご注意ください。**

3. 内部構造を右方向(時計回り)に 90° 手で回します。  
次に、“シーケンシャル(+/-)” シフトプレートを取り付けます。

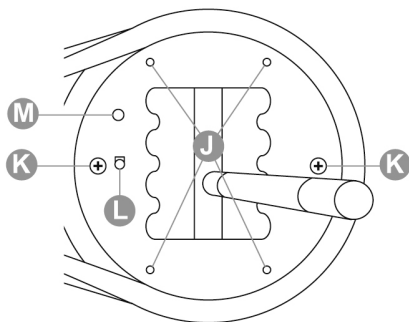


4. 付属の 2.5 mm 六角レンチ (E) で、“シーケンシャル(+/-)” シフトプレートを固定している 4 本のねじをしっかりと締め直します。ギアシフトのノブを回して取り付けます (時計回り)。



“H パターン(7+1)” シフトプレートの場合は、この手順を逆に実行してください。

#### 内部構造のトップカバーについての注意事項:

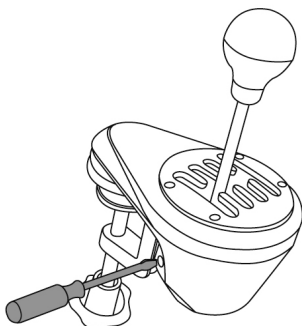


- J: シフトプレートを取り付けるための 4 つのねじ山 (C または D)。
- K: 内部構造を固定している 2 本のねじ (外さないでください)。
- L: 使用中のシフトプレートを自動的に検出するボタン (C または D)。“シーケンシャル(+/-)” シフトプレートが取り付けられている場合、自動的に押された状態になります。検出が正しく行われるよう、このエリアは常にきれいな状態に保ってください。
- M: シフトの位置合わせを容易にするためのスロット。

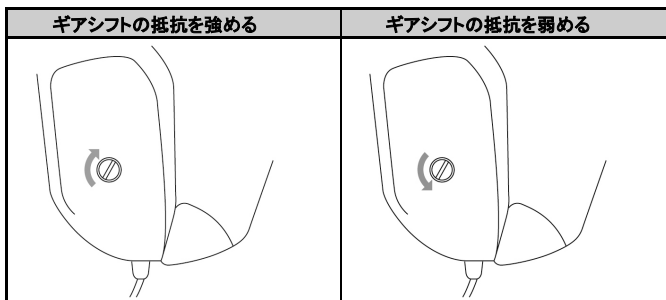
## ギアシフトの抵抗を調整する

\* “H パターン(7+1)” シフトプレートにのみ該当します。

\* 調整を行う前に、“H パターン(7+1)” シフトプレートを**必ず**標準の位置に取り付けてください(下図参照)。



1. 大きめのマイナスドライバーを、シフトレバー筐体の左下部にある抵抗調整用ねじ(Q)の頭に当てます。
2. 抵抗を少しだけ強めるには、ねじを時計回りに回します。
3. 抵抗を少しだけ弱めるには、ねじを逆時計回りに回します。



**最大抵抗から最小抵抗までは、ねじ 2 回転以内でカバーできます。**



**製品の破損を防ぐために:**

- 強い抵抗を感じた場合、ねじをそれ以上回さないでください。
- ねじが緩んでグラグラする場合、ねじをそれ以上緩めないでください。



## ゲーム機用セットアップ手順

### PLAYSTATION®4/PLAYSTATION®5

ご使用の PS4™/PS5™ ゲームまたはステアリングコントローラーに応じて:

#### PS4™ = TH8A シフターを PS4™ の USB ポートに直接接続 (\*)

- TH8A シフターの DIN コネクタを、DIN / USB ケーブルに接続します。
- TH8A シフターを、PS4™ のいずれかの USB ポートに接続します。
- ゲームを起動します。

それにより、TH8A シフターは、H パターン (7+1) とシーケンシャル (+/-) シフトプレートのどちらでも使用できます。

または

#### PS4™/PS5™ = TH8A シフターを、Thrustmaster ステアリングコントローラーのベース部に直接接続する (\*)

(お使いの Thrustmaster ステアリングコントローラーが、シフター用コネクタを搭載している場合のみ)

- TH8A シフターの DIN コネクタを、DIN / DIN 着脱可能ケーブルに接続します。
- TH8A シフターを、ステアリングコントローラーのベース部背面にあるシフター用コネクタに接続します。
- ステアリングコントローラーを接続し、ゲームを起動します。

それにより、TH8A シフターは、H パターン (7+1) とシーケンシャル (+/-) シフトプレートのどちらでも使用できます。

**(\*) PS4™/PS5™ 向けの重要な推奨事項** (シフター用コネクタを搭載する Thrustmaster ステアリングコントローラー使用時のみ該当)

- **PS4™/PS5™:** TH8A シフターのシーケンシャル (+/-) シフトプレートを使用する場合、着脱可能 DIN/DIN ケーブルを使ってステアリングコントローラーの背面にシフターを接続することもできます。TH8A シフターは、ステアリングコントローラーの UP (=R1) および DOWN (=L1) パドルシフターに接続されます。

このステアリングコントローラーでは、TH8A シフターのシーケンシャル (+/-) シフトプレートは PS4™/PS5™ 用 Thrustmaster ステアリングコントローラーと互換性のあるすべてのレーシングゲームで 100% 互換で動作します。

- **PS4™:** 一部のゲームでは TH8A シフターを 2 個同時に使用することができます。

PS4™ の USB ポートに接続された、H パターン (7+1) シフトプレート付き TH8A シフター 1 個 + ステアリングコントローラー背面に接続された、シーケンシャル (+/-) シフトプレート付き TH8A シフター 1 個

\* TH8A シフターと互換性のある PS4™/PS5™ ゲームの一覧と、接続方法 (\*) (ゲームによって異なる場合があります) は以下でご覧いただけます:  
<https://support.thrustmaster.com> [Racing Wheels] / [TH8A Shifter] をクリックし、[Game settings] を選択します。この一覧は定期的に更新されます。

\* PS4™ では、ステアリングコントローラーや TH8A シフターを接続する際には USB ハブを使用せず、PS4™ の USB ポートに直接接続することをお勧めします。

\* 一部のゲームでは、TH8A シフターが正常に動作するために、最新のアップデートのインストールが必須場合があります (インストールには、ゲーム機がインターネットに接続されている必要があります)。

## XBOX ONE/XBOX SERIES

**= すべての Xbox One/Xbox Series ゲームで、必ず TH8A シフターを Thrustmaster ステアリングコントローラーのベース部に直接接続してください (ゲーム機の USB ポートには絶対に接続しないでください)。**

- TH8A シフターの DIN コネクタを、DIN / DIN 着脱可能ケーブルに接続します。
- TH8A シフターを、ステアリングコントローラーのベース部背面にあるシフター用コネクタに接続します。- ステアリングコントローラーを接続し、ゲームを起動します。

それにより、TH8A シフターは、H パターン (7+1) とシーケンシャル (+/-) シフトプレート  
のどちらでも使用できます。

### **Xbox One/Xbox Series に関する重要な注意事項:**

TH8A シフターのシーケンシャル (+/-) シフトプレート使用時、シフターはステアリングコントローラーの UP (=RB) および DOWN (=LB) パドルシフターに接続されます。

TH8A シフターのシーケンシャル (+/-) シフトプレート使用時、TH8A シフターは Xbox One/Xbox Series 用 Thrustmaster ステアリングコントローラーと互換性のあるすべての Xbox One/Xbox Series で 100% 互換で使用できます。

\* TH8A シフターと互換性のある Xbox One/Xbox Series 用ゲームのリストは以下でご覧いただけます:

<https://support.thrustmaster.com>. [Racing Wheels] / [TH8A Shifter] をクリックし、[Games settings] を選択します。この一覧は定期的に更新されます。

\* 一部のゲームでは、TH8A シフターが正常に動作するために、最新のアップデートのインストールが必須の場合があります (インストールには、ゲーム機がインターネットに接続されている必要があります)。



Xbox One/Xbox Series 用 Thrustmaster ステアリングコントローラーと TH8A シフターとの互換性を確保するために、以下のアドレスから PC で入手できるステアリングコントローラーの最新のファームウェアの適用が必須となる場合があります: <https://support.thrustmaster.com> [Racing Wheels] / [TH8A Shifter] をクリックし、[Firmware] を選択します。

## PC 用セットアップ手順

**= すべての PC ゲーム (\*) で、必ず TH8A シフターを PC のいずれかの USB ポートに直接接続してください。**

- TH8A シフターの DIN コネクタを、DIN / USB ケーブルに接続します。
- TH8A シフターを、PC のいずれかの USB ポートに接続します。
- TH8A シフターを PC に接続すると、プラグアンドプレイによって自動的に認識およびインストールされます。
- デバイスは、Windows® の [コントロール パネル] に [T500 RS Gear Shift] として表示されます。
- [プロパティ] をクリックし、デバイスの機能を表示・テストします。
- ゲームを起動します。

**これでレースの準備が整いました！**

**(\*) PC 向けの重要な推奨事項 (シフター用コネクタを搭載する Thrustmaster ステアリングコントローラー使用時のみ該当)**

- TH8A シフターのシーケンシャル (+/-) シフトプレートを使用する場合、**着脱可能 DIN/DIN ケーブルを使ってステアリングコントローラーの背面にシフターを接続することもできます。** TH8A シフターは、ステアリングコントローラーの UP (=2) および DOWN (=1) パドルシフターに接続されます。

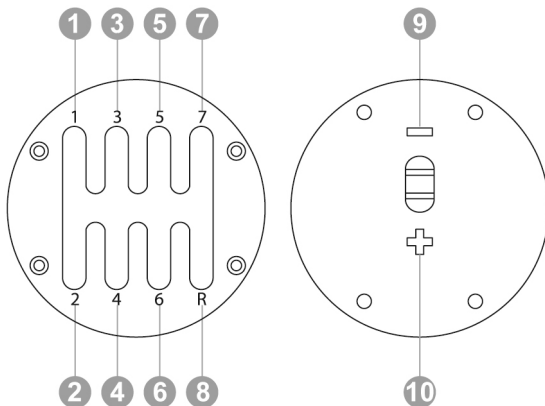
このステアリングコントローラーでは、TH8A シフターのシーケンシャル (+/-) シフトプレートは PC 用 Thrustmaster ステアリングコントローラーと互換性のあるすべてのレーシングゲームで 100% 互換で動作します。

- 一部のゲームでは **TH8A シフターを 2 個同時に使用**することができます。  
PC の USB ポートに接続された、H パターン (7+1) シフトプレート付き TH8A シフター 1 個
- + ステアリングコントローラー背面に接続された、シーケンシャル (+/-) シフトプレート付き TH8A シフター 1 個

\* Thrustmaster シフトレバーは、次の PC 用ハードウェアおよびソフトウェアに対応しています：

- MULTI-USB およびシフトレバーに対応しているすべてのゲーム。
- 市販されているすべてのステアリングコントローラー。
- \* ステアリングコントローラーや TH8A シフターは、PC の USB 2.0 ポート (USB 3.0 でなく) に、ハブ経由でなく直接接続することをお奨めします。
- \* 一部の PC ゲームでは、最新のゲームアップデートをインストールしないと、TH8A シフターが正しく動作しない可能性があります。
- \* ステアリングホイールと TH8A シフター間の競合を防ぐため、一部の PC ゲームでは、次のような措置が対応な場合があります：
  - ステアリングホイールのギアシフトパドルには何もマッピングしないこと。
  - “Hold button for gear” 機能を有効にすること。

## PC 上でのマッピング



## ソフトウェアパッケージ

PC 用ソフトウェアパッケージをここで入手できます:

<https://support.thrustmaster.com> [Racing Wheels] / [TH8A Shifter] をクリックし、  
[Drivers] を選択します。

- ソフトウェア パッケージのインストール後は、次のことが可能になります。

- \* TH8A シフターのファームウェアバージョンを確認します。
- \* (必要に応じて)ファームウェアを最新のバージョンに更新
- \* “ブートローダーによる復旧方法” (ファームウェア不具合時におけるシフトレバーの復旧用) を使用します。
- \* PC 上のカスタム コントロール パネル(ゲーム コントローラ)へのアクセス
- \* PC ではアナログモードでお楽しみいただけます (ハンドブレーキ)

## 高度なキャリブレーション ソフトウェア

TH8A ギアシフトの調整は自動的に行われます。

PC 用の高度なキャリブレーションソフトウェアも、<https://support.thrustmaster.com> にて入手可能です。[Racing Wheels] / [TH8A Shifter] をクリックし、[Software] を選択します。これは、ギアシフトの移動距離を自由に調整するためのソフトウェアです。

設定が完了すると、ギアシフトの内蔵メモリ内に保存されます (保存された設定は PS4™/PS5™、Xbox One/Xbox Series、および PC 上で利用できます)。

## TH8A シフターを各種システムに接続する際の手順概要

	TH8A シフターを接続
PS4™	ゲームまたはステアリングコントローラーに応じて (*) - PS4™/PS5™ 本体に直接 (USB) - またはステアリングコントローラーの背面に接続 (DIN)
PS5™	常にステアリングコントローラーの背面に接続 (DIN)
XBOX ONE/XBOX SERIES	常にステアリングコントローラーの背面に接続 (DIN)
PC	常に (*)PC に直接接続 (USB)

(\*) 例外に関する詳細については、マニュアルの当該ページに記載されている**重要な推奨事項**を参照してください。

### 警告

\* たとえ同じ形状の DIN コネクタを搭載している場合でも、TH8A シフターを Thrustmaster ステアリングコントローラー以外のデバイスに直接接続することは絶対に止めてください。TH8A シフターや他のデバイスに損傷を与える恐れがあります。

### トラブルシューティング

\* シフトレバーが正しく動作しない、または正しく調整されていない:

- コンピュータまたはゲーム機本体の電源を切り、シフトレバーを取り外してから、ゲームを再起動します。

- ゲーム内の“Options/Controller” から、最適な設定を選択またはセットアップします。

\* ゲームのユーザーマニュアルおよびオンラインヘルプで、さらに詳しい情報を入手できます。

- 弊社サイトのサポートページ (<https://support.thrustmaster.com>) では、さまざまなヘルプやヒント、および互換性のあるゲームリストなどが提供されています。[Racing Wheels] / [TH8A Shifter] をクリックします。

- Xbox One/Xbox Series では、Xbox One/Xbox Series 用 Thrustmaster ステアリングコントローラーと TH8A シフターとの互換性を確保するために、以下のアドレスから PC で入手できるステアリングコントローラーの最新のファームウェアの適用が必須となる場合があります: <https://support.thrustmaster.com>[Racing Wheels] / [TH8A Shifter] をクリックし、[Firmware] を選択します。

## 著作権

© 2021 Guillemot Corporation S.A. All rights reserved. Thrustmaster® は、Guillemot Corporation S.A. の登録商標です。その他の商標は、それぞれの所有者に帰属します。PlayStation® は Sony Interactive Entertainment, Inc. の登録商標です。Microsoft® Windows® は米国およびその他における Microsoft Corporation の登録商標です。その他の商標は、それぞれの所有者に帰属します。本書に含まれるイラストには法的拘束力はありません。本書に含まれる内容、設計および仕様は、事前の通告なしに変更される場合があり、また、各国で異なる場合があります。中国製。

## 環境保護推奨

リサイクルのための廃機器の収集地点についての詳細は、地域自治体までお問い合わせください。

お住まいの国・地域で適用される、電気電子機器のリサイクル法を遵守してください。

この情報は大切に保管してください。色や形状は実際の製品と異なる場合があります。本製品をご使用になる前に、プラスチック留め具や粘着テープなどはすべて取り除いてください。

[www.thrustmaster.com](http://www.thrustmaster.com)



**THRUSTMASTER®**

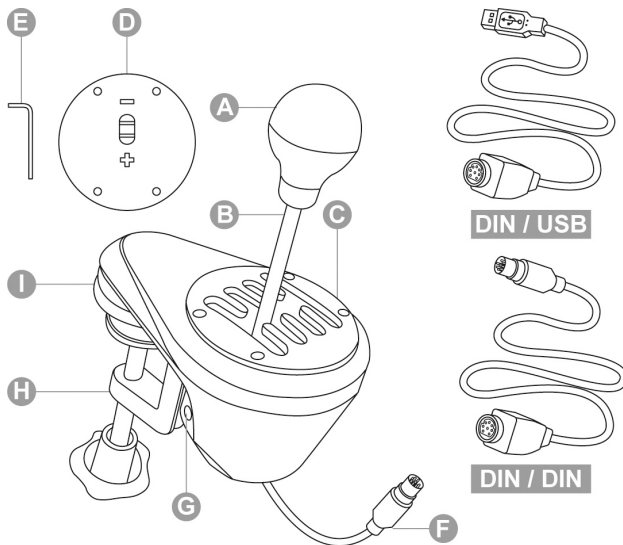
テクニカルサポート

<https://support.thrustmaster.com>





# PlayStation®4/PlayStation®5 – Xbox One/Xbox Series – PC 用户手册



## 技术特性

- A 可拆卸齿轮换挡旋钮  
(默认不安装)
- B 操纵杆
- C 可调节“H 模式 (7+1)”变速盘  
(默认安装)
- D 可调节“序列式 (+/-)”变速盘  
(默认不安装)
- E 2.5 mm 内六角扳手 (随附)

- F 电缆和 DIN 连接器
- G 内部张紧螺丝
- H 可调节夹紧系统
- I 用于固定驾驶座的“螺纹”

- DIN / USB 可分离式 DIN / USB 电缆
- DIN / DIN 可分离式 DIN / DIN 电缆



## 警告

使用本产品前，请务必仔细阅读本手册。请妥善保管本手册，以供日后参考。



### **警告 - 触电**

- \* 请将本产品置于干燥的地方，切勿将其暴露在灰尘或阳光中。
- \* 按照插入方向插入连接器。
- \* 切勿扭曲或拉扯连接器和电缆。
- \* 切勿让液体溅到本产品或其连接器上。
- \* 切勿造成本产品短路。
- \* 切勿拆解本产品（本手册所述的可能调节除外），切勿燃烧本产品，亦勿将其暴露在高温环境中。



### **警告 - 因重复运动造成的伤害**

长时间操作变速器可能导致肌肉和关节疼痛。为避免这些问题：

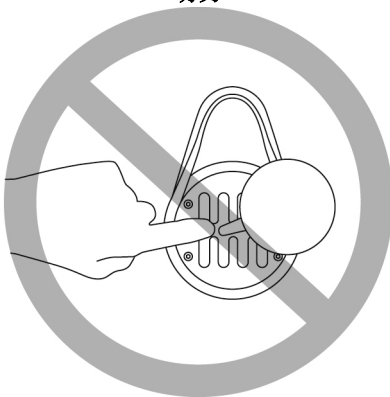
- \* 避免长时间玩游戏。
- \* 每玩一小时后休息 10 到 15 分钟。
- \* 如果手、手腕或手臂有疲劳或疼痛的感觉，应停止玩游戏，休息几个小时后在玩。
- \* 如果再玩时仍然存在上述症状或疼痛感，应立即停止玩游戏并咨询医生。
- \* 确保按照本手册中提供的操作说明，正确安装变速器的底座。



### **警告 - 打开变速盘时可能会有夹伤风险**

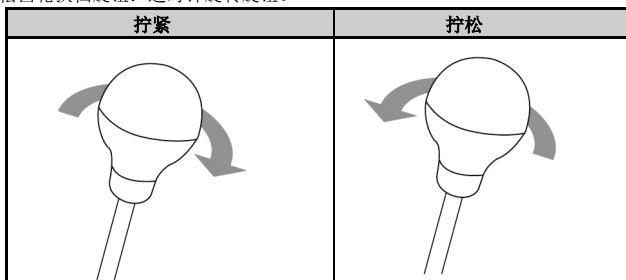
- \* 切勿让小孩接触变速盘。
- \* 玩游戏时，切勿将手指（或身体的其他部分）置于变速盘的开口处。

切勿



## 安装齿轮换挡旋钮

1. 要将齿轮换挡旋钮 (A) 拧到操纵杆上, 请顺时针旋转齿轮换挡旋钮。
2. 拧松齿轮换挡旋钮: 逆时针旋转旋钮。



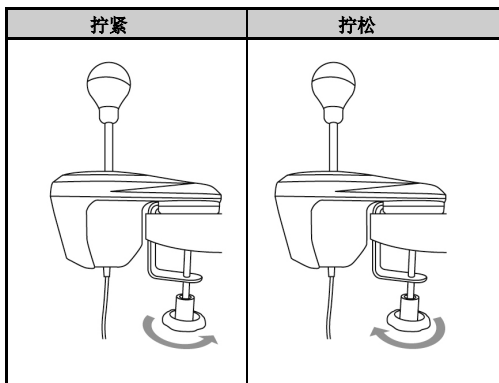
## 安装变速器

此变速器经过优化设计, 支持安装在任何类型的支撑物上:

- 通过夹紧系统, 支持厚度为 1 mm 到 55 mm 的**桌台、书桌或支架**
- 通过内置的“螺纹”(夹紧系统可拆卸) 支持**驾驶座**。

### 将变速器安装在桌台或书桌上

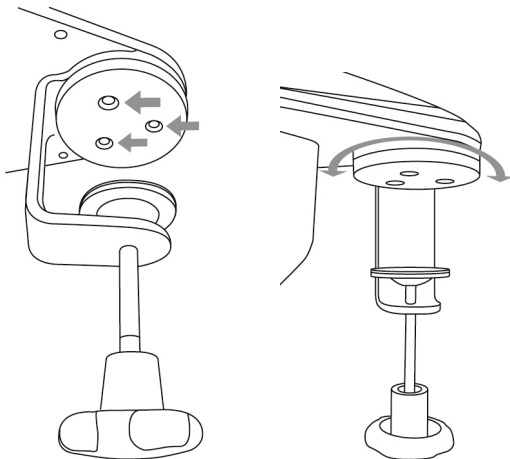
1. 将变速器的“鼻梁”置于桌台或其他平坦的表面上。
2. 拧紧: 逆时针旋转夹紧轮。
3. 拧松: 顺时针旋转夹紧轮。



## 安放并旋转夹紧系统（可调节 360°）

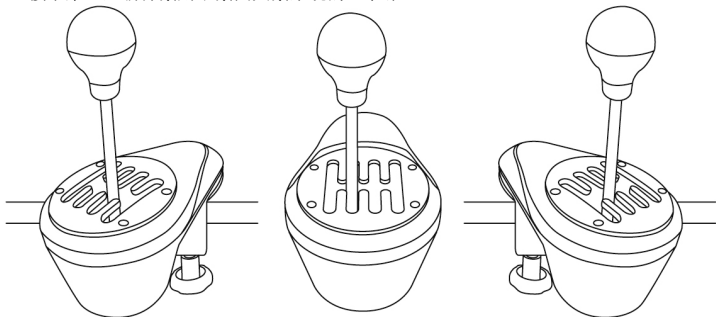
1. 利用随附的 2.5 毫米内六角扳手 (E)，稍稍拧松用于紧固夹紧系统 (H) 的 3 个螺丝。

现在，可将夹紧系统（以及整个变速器）手动旋转 360°。



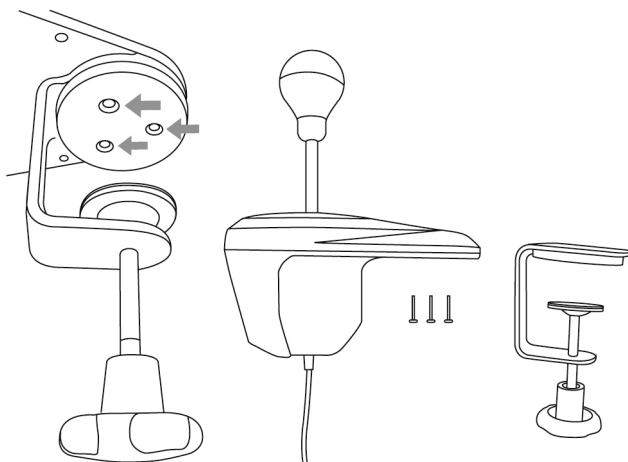
2. 沿着 360° 的旋转角度选择您的首选位置（下面显示了 3 个示例，还可以选择其他许多位置）。

接下来，重新拧紧用于紧固夹紧系统的 3 个螺丝。

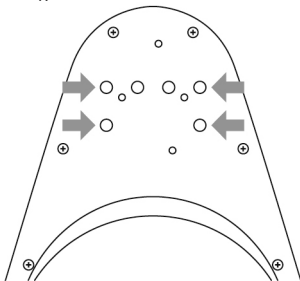


## 将变速器安装在驾驶座中

1. 利用随附的 2.5 毫米内六角扳手 (E)，完全拧松并卸下用于紧固夹紧系统 (H) 的 3 个螺丝。从变速器上拆卸夹紧系统



2. 卸下夹紧系统后，将 2 颗 M6 螺丝（未随附）拧入驾驶座的支撑板上，并拧入变速器“鼻梁”下部 4 个小“螺纹”(I) 中的 2 个。



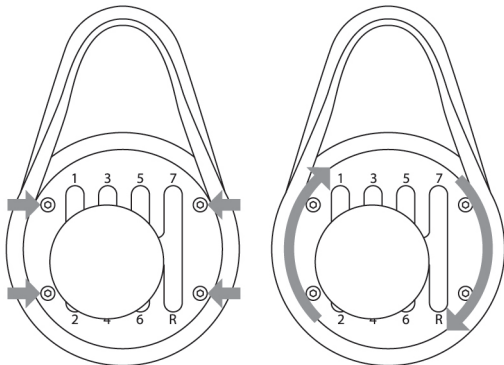
**切勿使用过长的” M6” 螺丝，  
这可能会穿透并损坏变速器鼻梁的上部。**

在 <http://support.thrustmaster.cn>（位于方向盘/TH8A 变速器/手册部分）上可下载用于驾驶座安装的变速器安装模板。

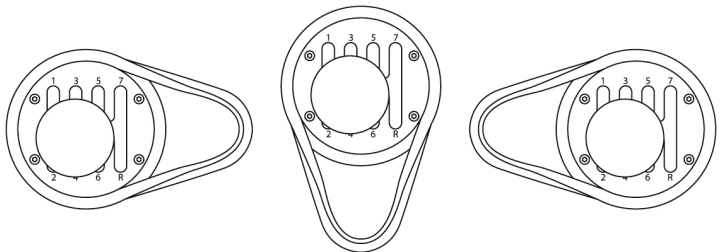
## 安放并旋转变速盘（可调节 360°）

1. 利用随附的 2.5 毫米内六角扳手 (E)，稍稍拧松用于紧固变速盘 (C 或 D) 的 4 个螺丝。

现在，可将变速盘手动旋转 360°。



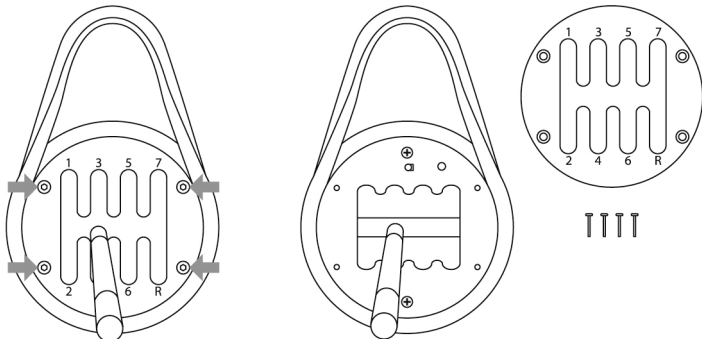
2. 沿着 360° 的旋转角度选择您的首选位置（下面显示了 3 个示例，还可以选择其他许多位置）。



3. 重新拧紧用于紧固变速盘的 4 个螺丝。

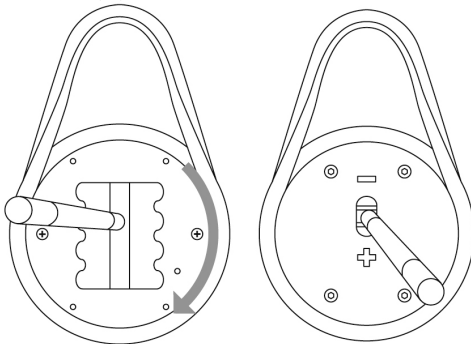
## 从“H 模式 (7+1)”变速盘切换为“序列式 (+/-)”变速盘

1. 拧松（逆时针旋转）并卸下齿轮换挡旋钮 (A)。
2. 利用随附的 2.5 毫米内六角扳手 (E)，完全拧松并卸下用于紧固“H 模式 (7+1)”变速盘的 4 个螺丝。拆卸变速盘。

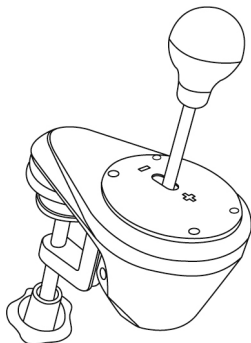


执行上述操作过程中，务必小心，切勿让任何螺丝意外掉入内部机械中。

3. 将内部机构手动向右（顺时针）旋转 90°。  
接下来，安装“序列式 (+/-)”变速盘。

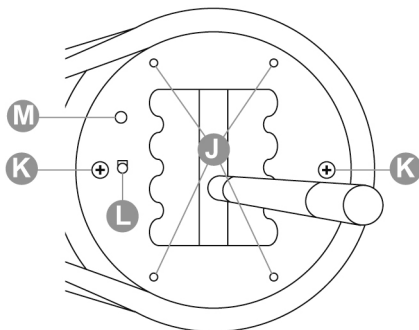


4. 利用随附的 2.5 毫米内六角扳手 (E)，重新装回并完全拧紧用于紧固“序列式 (+/-)”变速盘的 4 个螺丝。旋回（顺时针旋转）齿轮换挡旋钮。



反向执行此步骤可装回“H 模式 (7+1)”变速盘。

关于内部机构顶盖的注释：



**J:** 用于连接变速盘的 4 个“螺纹” (C 或 D)。

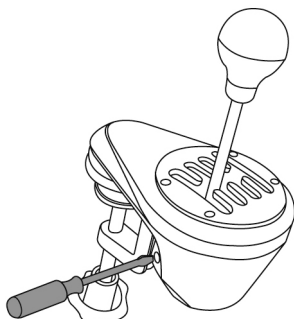
**K:** 用于紧固内部机构的 2 个螺丝（未拧上）。

**L:** 自动检测所用变速盘类型的按钮 (C 或 D)。安装“序列式 (+/-)”变速盘时会自动按下。此区域应保持洁净，以免出现任何检测问题。

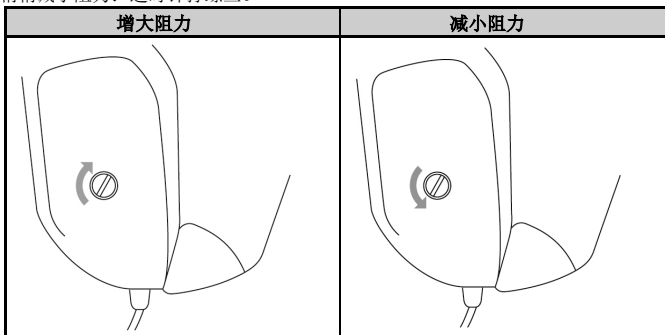
**M:** 留有空隙，以方便安放变速盘。

## 调节齿轮换挡阻力

- \* 仅适用于“H 模式 (7+1)”变速盘。
- \* 进行任何调节之前，必须先将“H 模式 (7+1)”变速盘安装到其原始位置（请参见下图）。



1. 使用一把大平头螺丝刀，将螺丝刀置于变速器外壳左下侧内部张紧螺丝（G）的平头上。
2. 稍稍增大阻力：顺时针拧螺丝。
3. 稍稍减小阻力：逆时针拧螺丝。



**拧 2 满圈足以从阻力的一个极端调节至另一个极端。**



**为避免损坏系统，请：**

- 在感觉阻力很大时，停止拧紧螺丝。
- 在感觉操纵杆变松晃动时，停止拧松螺丝。



## 适用于游戏主机的设置说明

### PLAYSTATION®4/PLAYSTATION®5

根据您所玩的 PS4™/PS5™ 游戏或所使用的方向盘：

**PS4™ = 将 TH8A 变速器直接连接 (\*) 到 PS4™ 的 USB 端口**

- 将 TH8A 变速器的 DIN 连接器连接到 DIN / USB 电缆。
- 将 TH8A 变速器连接到 PS4™ 的某个 USB 端口上。
- 开始游戏。

随后，即可使用 H 模式 (7+1) 或序列式 (+/-) 变速盘操作 TH8A 变速器。

**或者**

**PS4™/PS5™ = 将 TH8A 变速器直接连接 (\*) 到 Thrustmaster (图马思特) 方向盘的底座上**

(仅适用于您的 Thrustmaster (图马思特) 方向盘配备内置变速器连接器的情形)

- 将 TH8A 变速器的 DIN 连接器连接到 DIN / DIN 可分离式电缆。
- 将 TH8A 变速器连接到方向盘底座背部的变速器连接器。
- 连接方向盘，即可开始玩游戏。

随后，即可使用 H 模式 (7+1) 或序列式 (+/-) 变速盘操作 TH8A 变速器。

**(\*) 针对 PS4™/PS5™ 系统的重要建议** (仅适用于使用内置变速器连接器的 Thrustmaster (图马思特) 方向盘的情形)

- PS4™/PS5™: 使用 TH8A 变速器的序列式 (+/-) 变速盘时，您也可以使用可分离式 DIN/DIN 电缆将变速器连接到方向盘背部。随后，将 TH8A 变速器连接到方向盘的上 (= R1) 换挡拨片和下 (= L1) 换挡拨片。

使用此方向盘时，TH8A 变速器的序列式 (+/-) 变速盘支持所有兼容该方向盘的 PS4™/PS5™ 竞速游戏。

- PS4™: 有些游戏支持同时使用两个 TH8A 变速器：

- 一个带有一个 H 模式 (7+1) 变速盘的 TH8A 变速器，连接到 PS4™ 的 USB 端口上
- + 一个带有序列式 (+/-) 变速盘的 TH8A 变速器，连接到方向盘上

\* 兼容 TH8A 变速器的 PS4™/PS5™ 游戏列表以及相关的连接说明(\*) (不同的游戏, 连接方法也不同) 可在此处找到:

<http://support.thrustmaster.cn> (位于方向盘/TH8A 变速器/游戏设置部分)。此列表将定期更新。

\* 在 PS4™ 系统上, 我们建议您在连接方向盘或 TH8A 变速器时不要使用 USB 集线器, 而应直接将此设备连接到 PS4™ 的 USB 端口上。

\* 某些游戏要求您安装针对 TH8A 变速器的最新可用更新, 才能正常工作 (您的游戏主机必须连接到互联网)。

## XBOX ONE/XBOX SERIES

= 对于所有 Xbox One/Xbox Series 游戏，始终将 TH8A 变速器直接连接到 Thrustmaster（图马思特）方向盘的底座（切勿连接到游戏主机的 USB 端口上）。

- 将 TH8A 变速器的 DIN 连接器连接到 DIN / DIN 可分离式电缆。

- 将 TH8A 变速器连接到方向盘底座背部的变速器连接器。- 连接方向盘，即可开始玩游戏。

随后，即可使用 H 模式 (7+1) 或序列式 (+/-) 变速盘操作 TH8A 变速器。

### 针对 Xbox One/Xbox Series 的重要注意事项：

使用 TH8A 变速器的序列式 (+/-) 变速盘时，变速器连接到方向盘的上 (= RB) 换挡拨片和下 (= LB) 换挡拨片。

使用 TH8A 变速器的序列式 (+/-) 变速盘时，TH8A 变速器支持所有兼容 Thrustmaster（图马思特）Xbox One/Xbox Series 方向盘的 Xbox One/Xbox Series 竞速游戏。

\* 兼容 TH8A 变速器的 Xbox One/Xbox Series 游戏列表可在此处找到：  
<http://support.thrustmaster.cn>（位于方向盘/TH8A 变速器/游戏设置部分）。此列表将定期更新。

\* 某些游戏要求您安装针对 TH8A 变速器的最新可用更新，才能正常工作（您的游戏主机必须连接到互联网）。



为确保 Thrustmaster（图马思特）Xbox One/Xbox Series 方向盘与 TH8A 变速器的兼容性，您可能需要通过 PC 访问以下网址，将该方向盘的固件更新至最新版本：<http://support.thrustmaster.cn>（位于方向盘/TX 方向盘/固件部分）。

## 适用于 PC 的设置说明

**= 对于所有 PC 游戏，始终将 TH8A 变速器直接连接到 PC 的某个 USB 端口上。**

- 将 TH8A 变速器的 DIN 连接器连接到 DIN / USB 电缆。
- 将 TH8A 变速器连接到 PC 的某个 USB 端口上。
- 连接到 PC 后，TH8A 变速器是一种即插即用设备，可被系统自动检测并安装。
- 随后，此设备将会以“T500 RS 变速器”的形式出现在 Windows® 控制面板中。
- 单击“属性”，测试并查看设备的功能。
- 开始游戏。

**现在即可开始竞速了！**

**(\*) 针对 PC 的重要建议**（仅适用于使用内置变速器连接器的 Thrustmaster（图马思特）方向盘的情形）

**- 使用 TH8A 变速器的序列式 (+/-) 变速盘时，您也可以使用可分离式 DIN/DIN 电缆将变速器连接到方向盘背部。**随后，将 TH8A 变速器连接到方向盘的上 (= 2) 换挡拨片和下 (= 1) 换挡拨片。

使用此方向盘时，TH8A 变速器的序列式 (+/-) 变速盘支持所有兼容该方向盘的 PC 竞速游戏。

**- 有些游戏支持同时使用两个 TH8A 变速器：**

- 一个带有一个 H 模式 (7+1) 变速盘的 TH8A 变速器，连接到 PC 的 USB 端口上
- + 一个带有序列式 (+/-) 变速盘的 TH8A 变速器，连接到方向盘上

**\* 在 PC 上，Thrustmaster（图马思特）变速器兼容于：**

- 所有支持多 USB 和变速器的游戏。
- 所有市售方向盘。

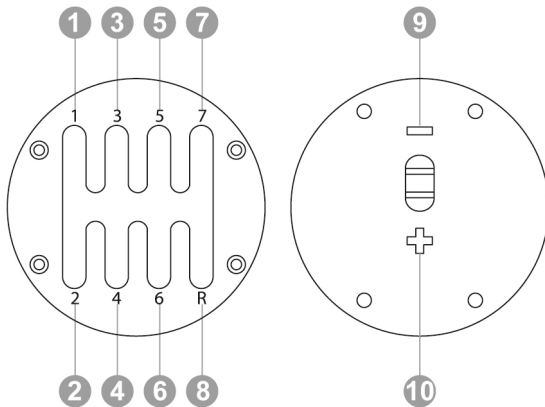
**\* 我们建议将方向盘和 TH8A 变速器直接连接到 PC 的 USB 2.0（而不是 USB 3.0）端口上，而不是通过集线器连接。**

**\* 对于某些 PC 游戏，为使 TH8A 变速器正常工作，您**必须**安装最新的游戏更新。**

**\* 对于某些 PC 游戏（为避免在方向盘和 TH8A 变速器之间出现任何冲突），可能有必要：**

- 不将任何功能映射到方向盘的齿轮换档拨片。
- 启用“按住按钮进行换挡”功能。

## 在 PC 上进行映射



## 软件包

此处可下载适用于 PC 的软件包：

<http://support.thrustmaster.cn>（位于方向盘/TH8A 变速器/驱动程序部分）。

- 在安装此软件包之后，您将能够：

- \* 检查 TH8A 变速器的固件版本。
- \* 将固件更新为最新版本（如有必要）。
- \* 使用“BOOTLOADER 方法”（以便在丢失固件时还原变速器）。
- \* 在 PC 上访问自定义控制面板（游戏控制器）。
- \* 在 PC 上，享受 ANALOG（模拟）模式（手刹）

## 高级校准软件

TH8A 可自动执行齿轮换挡校准。

亦可在此处下载适用于 PC 的高级校准软件：<http://support.thrustmaster.cn>（位于方向盘 / TH8A 变速器/软件部分）。通过该软件，您可以调节齿轮换挡的行程，使之方便您的操作。

完成设置后，这些设置会被立即保存到齿轮换挡器的内存中（可用于 PS4™/PS5™、Xbox One/Xbox Series 和 PC）。

## 关于将 TH8A 变速器连接到各种系统的总结说明

	连接 TH8A 变速器
PS4™	视游戏或方向盘而定 (*)： - 直接连接到 PS4™/PS5™ 系统 (USB) - 或者连接到方向盘的背部 (DIN)
PS5™	始终连接到方向盘的背部 (DIN)
XBOX ONE/XBOX SERIES	始终连接到方向盘的背部 (DIN)
PC	始终 (*) 连接到 PC (USB)

(\*) 有关各种例外情形的详细信息，请参考本手册相关页面中的**重要建议**部分。

### 警告

\* 切勿将 TH8A 变速器直接连接到除 Thrustmaster（图马思特）方向盘以外的任何设备上，即使该设备带有完全相同的 DIN 连接器。否则，可能会损坏 TH8A 变速器或所连接的设备。

### 故障检修

\* 我的变速器运行不正常，或可能校准不当：

- 关闭计算机或主机，断开与变速器的连接；然后重新连接变速器，并重启游戏。
- 在游戏中，在“Options/Controller”（选项/控制器）下面，选择或设置最合适的配置。
- 有关详细信息，请参阅游戏的用户手册或联机帮助。

- （此手册中未介绍的）各种帮助主题和提示以及兼容游戏列表等资源可在 <http://support.thrustmaster.cn> 找到。

- 在 Xbox One/Xbox Series 上，为确保 Thrustmaster（图马思特）Xbox One/Xbox Series 方向盘与 TH8A 变速器的兼容性，您可能需要通过 PC 访问以下网址，将该方向盘的固件更新至最新版本：<http://support.thrustmaster.cn>（位于方向盘 / TX 方向盘 / 固件部分）。

## 版权声明

© 2021 Guillemot Corporation S.A. 保留所有权利。Thrustmaster®（图马思特）是 Guillemot Corporation S.A.（基利摩股份有限公司）的注册商标。

特此确认，所有其他商标和品牌名称均为其各自所有者的资产。插图不具约束力。内容、设计和规格可能因国家/地区而异，并可能随时出现更改，恕不另行通知。中国制造。

## 环保建议

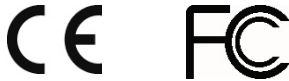
请遵守当地电气电子设备的回收法律。

请保留此信息。颜色和装饰风格可能会有所不同。

在使用本产品之前，应先取下塑料紧固件并撕掉胶带。

本产品符合有关 16 岁及以上儿童适用产品的所有标准。本产品不适合未满 16 岁的儿童使用。

[www.thrustmaster.com](http://www.thrustmaster.com)



**THRUSTMASTER®**

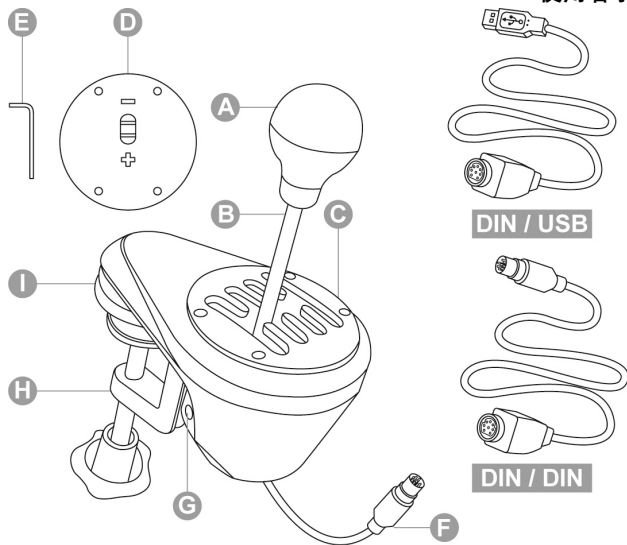
技术支持

<http://support.thrustmaster.cn>



## PlayStation®4/PlayStation®5 – Xbox One/Xbox Series – PC

使用者手冊



### 技術特性

A 可拆卸齒輪換擋旋鈕

(預設不安裝)

B 操縱杆

C 可調節「H 模式 (7+1)」變速盤

(預設安裝)

D 可調節「序列式 (+/-)」變速盤

(預設不安裝)

E 2.5 mm 內六角扳手 (隨附)

F 纜線和 DIN 接頭

G 內部張緊螺絲

H 可調節夾緊系統

I 用於固定駕駛座的「螺紋」

DIN / USB 可分離式 DIN / USB 纜線

DIN / DIN 可分離式 DIN / DIN 纜線



## 警告

使用本產品之前，請務必仔細通讀本手冊。請妥善保留本手冊，以供日後參考。



### 警告 - 觸電

- \* 請將本產品置於乾燥的地方，切勿將其暴露在灰塵或陽光中。
- \* 按照插入方向插入接頭。
- \* 切勿扭曲或拉扯接頭和纜線。
- \* 切勿讓液體濺到本產品或其接頭上。
- \* 切勿造成本產品短路。
- \* 切勿拆解本產品（本手冊所述的可能調節除外），切勿燃燒本產品，亦勿將其暴露在高溫環境中。



### 警告 - 因重複運動造成的傷害

長時間操作變速器可能導致肌肉和關節疼痛。為避免這些問題：

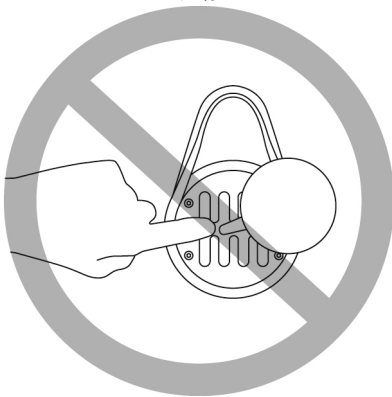
- \* 避免長時間玩遊戲。
- \* 每玩一小時後休息 10 到 15 分鐘。
- \* 如果手、手腕或手臂有疲勞或疼痛的感覺，應停止玩遊戲，休息幾個小時後再玩。
- \* 如果再玩時仍然存在上述症狀或疼痛感，應立即停止玩遊戲並諮詢醫生。
- \* 確保按照本手冊中提供的操作說明，正確安裝變速器的底座。



### 警告 - 開啟變速盤時可能有夾傷風險

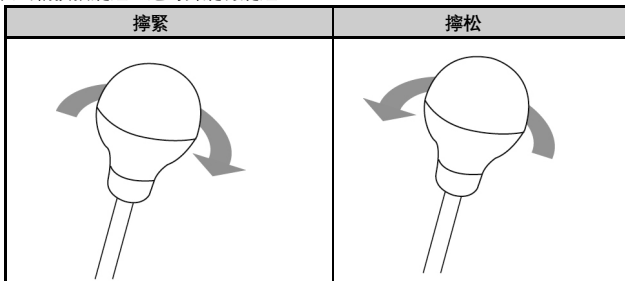
- \* 切勿讓小孩接觸變速盤。
- \* 玩遊戲時，切勿將手指（或身體的其他部分）置於變速盤的開口處。

切勿



## 安裝齒輪換擋旋鈕

1. 要將齒輪換擋旋鈕 (A) 擰到操縱杆上，請順時針旋轉齒輪換擋旋鈕。
2. 擰松齒輪換擋旋鈕：逆時針旋轉旋鈕。



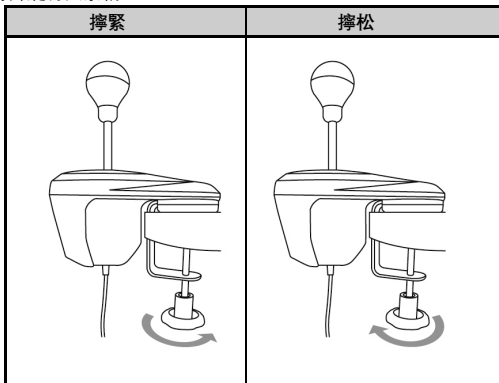
## 安裝變速器

此變速器經過最佳化設計，支援安裝在任何類型的支撐物上：

- 透過夾緊系統，支援厚度為 1 mm 到 55 mm 的檯面、書桌或支架
- 透過內建的「螺紋」（夾緊系統可拆卸）支援駕駛座。

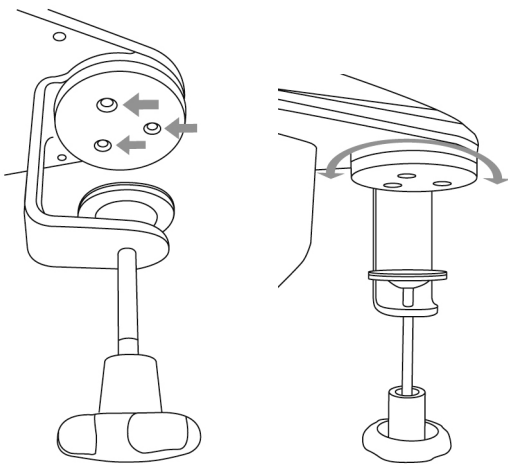
### 將變速器安裝在檯面或書桌上

1. 將變速器的「鼻樑」置於檯面或其他平坦的表面上。
2. 擰緊：逆時針旋轉夾緊輪。
3. 擰松：順時針旋轉夾緊輪。

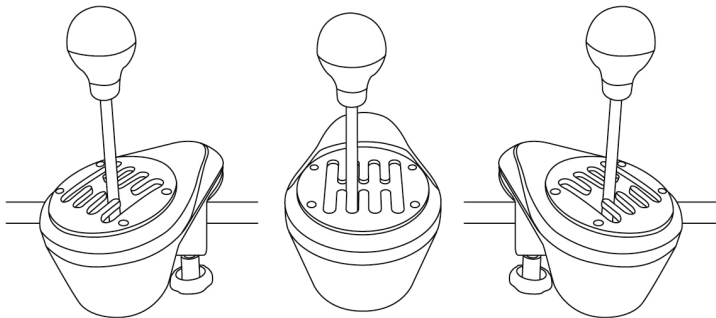


## 安放並旋轉夾緊系統（可調節 360°）

1. 利用隨附的 2.5 毫米內六角扳手 (E)，稍稍擰松用於緊固夾緊系統 (H) 的 3 個螺絲。  
現在，可將夾緊系統（以及整個變速器）手動旋轉 360°。

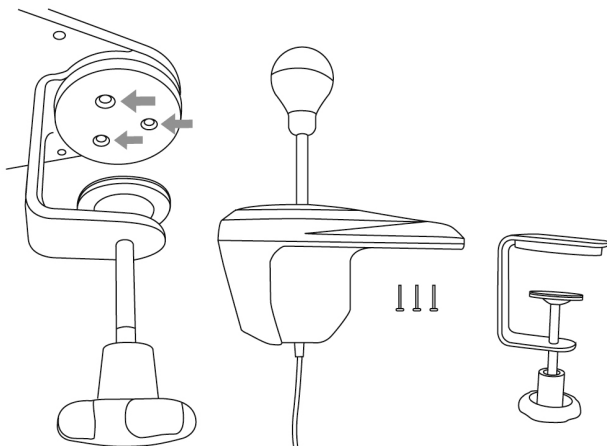


2. 沿著 360° 的旋轉角度選取您的首選位置（下面顯示了 3 個示例，還可以選取其他許多位置）。  
接下來，重新擰緊用於緊固夾緊系統的 3 個螺絲。

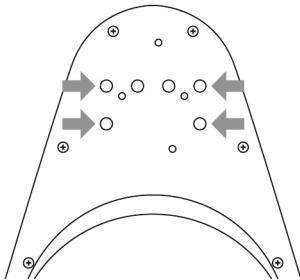


## 將變速器安裝在駕駛座中

1. 利用隨附的 2.5 毫米內六角扳手 (E)，完全擰松並卸下用於緊固夾緊系統 (H) 的 3 個螺絲。從變速器上拆卸夾緊系統



2. 卸下夾緊系統後，將 2 顆 M6 螺絲 (未隨附) 擰入駕駛座的支撐板上，並擰入變速器「鼻樑」下面 4 個小「螺紋」(I) 中的 2 個。



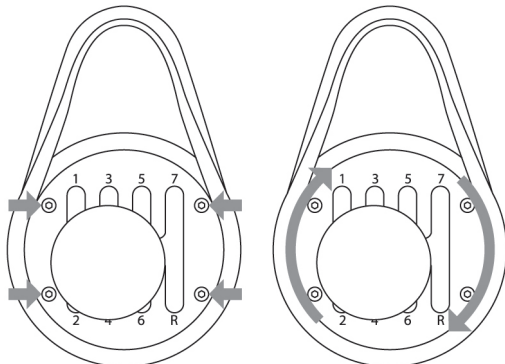
切勿使用過長的「M6」螺絲，  
這可能會穿透並損壞變速器鼻樑的上部。

在 <https://support.thrustmaster.com> 上可下載用於駕駛座安裝的變速器安裝範本。按一下 Racing Wheels (賽車方向盤) / TH8A Shifter (TH8A 變速器)，然後選取 Manual (手冊)。

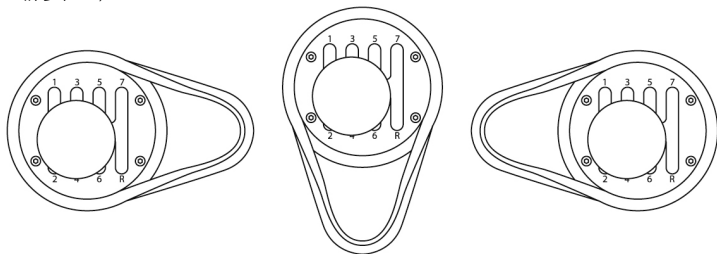
## 安放並旋轉變速盤 (可調節 360°)

1. 利用隨附的 2.5 毫米內六角扳手 (E)，稍稍擰松用於緊固變速盤 (C 或 D) 的 4 個螺絲。

現在，可將變速盤手動旋轉 360°。



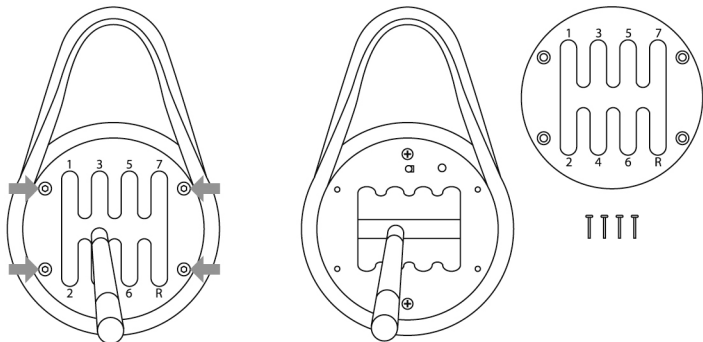
2. 沿著 360° 的旋轉角度選取您的首選位置 (下面顯示了 3 個示例，還可以選取其他許多位置)。



3. 重新擰緊用於緊固變速盤的 4 個螺絲。

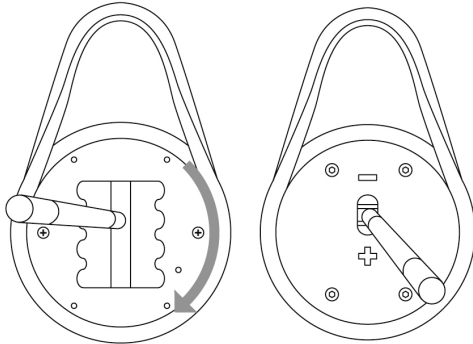
## 從「H 模式 (7+1)」變速盤切換為「序列式 (+/-)」變速盤

1. 擰松（逆時針旋轉）並卸下齒輪換擋旋鈕 (A)。
2. 利用隨附的 2.5 毫米內六角扳手 (E)，完全擰松並卸下用於緊固「H 模式 (7+1)」變速盤的 4 個螺絲。拆卸變速盤。

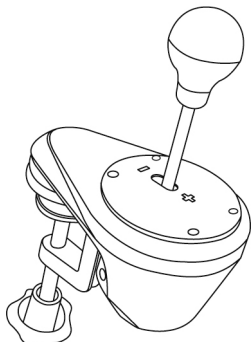


執行上述操作過程中，務必小心，切勿讓任何螺絲意外掉入內部機械中。

3. 將內部機構手動向右（順時針）旋轉 90°。  
接下來，安裝「序列式 (+/-)」變速盤。

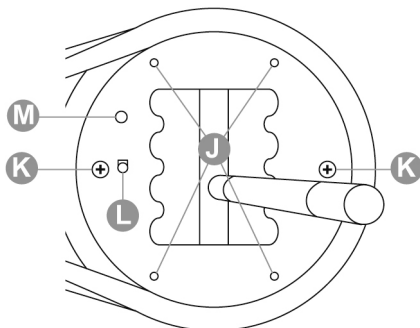


4. 利用隨附的 2.5 毫米內六角扳手 (E)，重新裝回並完全擰緊用於緊固「序列式 (+/-)」變速盤的 4 個螺絲。旋回 (順時針旋轉) 齒輪換擋旋鈕。



反向執行此步驟可裝回「H 模式 (7+1)」變速盤。

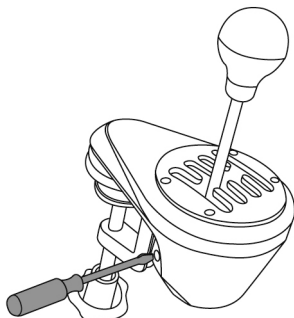
關於內部機構頂蓋的註釋：



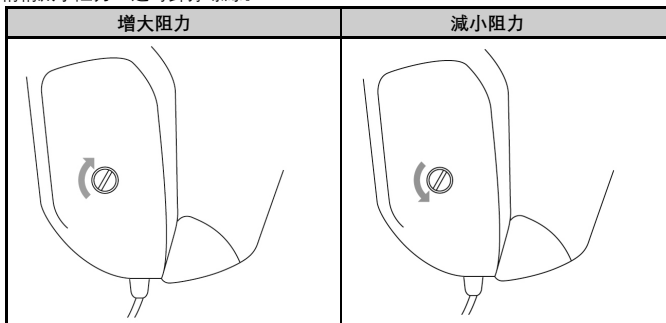
- J: 用於連接變速盤的 4 個「螺紋」 (C 或 D)。
- K: 用於緊固內部機構的 2 個螺絲 (未擰上)。
- L: 自動偵測所用變速盤類型的按鈕 (C 或 D)。安裝「序列式 (+/-)」變速盤時會自動按下。此區域應保持潔淨，以免出現任何偵測問題。
- M: 留有空隙，以方便安放變速盤。

## 調節齒輪換擋阻力

- \* 僅適用於「H 模式 (7+1)」變速盤。
- \* 進行任何調節之前，必須先將「H 模式 (7+1)」變速盤安裝到其原始位置（請參見下圖）。



1. 使用一把大平頭螺絲刀，將螺絲刀置於變速器外殼左下側內部張緊螺絲 (G) 的平頭上。
2. 稍稍增大阻力：順時針擰螺絲。
3. 稍稍減小阻力：逆時針擰螺絲。



擰 2 滿圈足以從阻力的一個極端調節至另一個極端。



為避免損壞系統，請：

- 在感覺阻力很大時，停止擰緊螺絲。
- 在感覺操縱杆變松晃動時，停止擰松螺絲。



## 適用於遊戲主機的設定說明

### PLAYSTATION®4/PLAYSTATION®5

根據您所玩的 PS4™/PS5™ 遊戲或所使用的賽車方向盤：

**PS4™ = 將 TH8A 變速器直接連接 (\*) 到 PS4™ 的 USB 埠**

- 將 TH8A 變速器的 DIN 接頭連接到 DIN / USB 纜線。
- 將 TH8A 變速器連接到 PS4™ 的某個 USB 埠上。
- 開始遊戲。

隨後，即可使用 H 模式 (7+1) 或序列式 (+/-) 變速盤操作 TH8A 變速器。

**或者**

**PS4™/PS5™ = 將 TH8A 變速器直接連接 (\*) 到 Thrustmaster 賽車方向盤的底座上**

(僅適用於您的 Thrustmaster 賽車方向盤配備內建變速器接頭的情形)

- 將 TH8A 變速器的 DIN 接頭連接到可分離式 DIN / DIN 纜線。
- 將 TH8A 變速器連接到賽車方向盤底座背部的變速器接頭。
- 連接賽車方向盤，即可開始玩遊戲。

隨後，即可使用 H 模式 (7+1) 或序列式 (+/-) 變速盤操作 TH8A 變速器。

**(\*) 針對 PS4™/PS5™ 系統的重要建議 (僅適用於使用內建變速器接頭的 Thrustmaster 賽車方向盤的情形)**

- **PS4™/PS5™:** 使用 TH8A 變速器的序列式 (+/-) 變速盤時，您也可以使用可分離式 DIN/DIN 纜線將變速器連接到賽車方向盤背面。隨後，將 TH8A 變速器連接到賽車方向盤的上 (= R1) 換擋撥片和下 (= L1) 換擋撥片。

使用此賽車方向盤時，TH8A 變速器的序列式 (+/-) 變速盤支援所有相容於該賽車方向盤的 PS4™/PS5™ 競速遊戲。

- **PS4™:** 有些遊戲支援同時使用兩個 TH8A 變速器：

- 一個帶有一個 H 模式 (7+1) 變速盤的 TH8A 變速器，連接到 PS4™ 的 USB 埠上
- + 一個帶有序列式 (+/-) 變速盤的 TH8A 變速器，連接到賽車方向盤的背部

\* 有關相容 TH8A 變速器的 PS4™/PS5™ 遊戲列表以及相關的連接說明(\*)

(不同的遊戲，連接方法也不同)，請瀏覽此處：

<https://support.thrustmaster.com> 按一下 Racing Wheels (賽車方向盤) / TH8A Shifter (TH8A 變速器)，然後選取 Games settings (遊戲設定)。此列表將定期更新。

\* 在 PS4™ 系統上，我們建議您在連接賽車方向盤或 TH8A 變速器時不要使用 USB 集線器，而應直接將此設備連接到 PS4™ 的 USB 埠上。

\* 某些遊戲要求您安裝針對 TH8A 變速器的最新可用更新，才能正常工作 (您的遊戲主機必須連接到網際網路)。

EN

FR

DE

NL

IT

ES

PT

RU

CS

TR

PL

日本語

繁體中文

한국어

العربية

## XBOX ONE/XBOX SERIES

**= 對於所有 Xbox One/Xbox Series 遊戲，始終將 TH8A 變速器直接連接到 Thrustmaster 賽車方向盤的底座（切勿連接到遊戲主機的 USB 埠上）。**

- 將 TH8A 變速器的 DIN 接頭連接到可分離式 DIN / DIN 纜線。

- 將 TH8A 變速器連接到賽車方向盤底座背部的變速器接頭。- 連接賽車方向盤，即可開始玩遊戲。

隨後，即可使用 H 模式 (7+1) 或序列式 (+/-) 變速盤操作 TH8A 變速器。

### **針對 Xbox One/Xbox Series 的重要注意事項：**

使用 TH8A 變速器的序列式 (+/-) 變速盤時，變速器連接到賽車方向盤的上 (= RB) 換擋撥片和下 (= LB) 換擋撥片。

使用 TH8A 變速器的序列式 (+/-) 變速盤時，TH8A 變速器支援所有相容 Thrustmaster Xbox One/Xbox Series 賽車方向盤的 Xbox One/Xbox Series 競速遊戲。

\* 此處可找到相容 TH8A 變速器的 Xbox One/Xbox Series 遊戲列表：

<https://support.thrustmaster.com>。按一下 Racing Wheels（賽車方向盤）/ TH8A Shifter（TH8A 變速器），然後選取 Games settings（遊戲設定）。此列表將定期更新。

\* 某些遊戲要求您安裝針對 TH8A 變速器的最新可用更新，才能正常工作（您的遊戲主機必須連接到網際網路）。



為確保 Thrustmaster Xbox One/Xbox Series 賽車方向盤與 TH8A 變速器的相容性，您可能需要透過 PC 瀏覽以下網址，將該賽車方向盤的韌體更新至最新版本：<https://support.thrustmaster.com>。按一下 Racing Wheels（賽車方向盤）/ TH8A Shifter（TH8A 變速器），然後選取 Firmware（韌體）。

## 適用於 PC 的設定說明

= 對於所有 PC 遊戲，始終將 TH8A 變速器直接連接到 PC 的某個 USB 埠上。

- 將 TH8A 變速器的 DIN 接頭連接到 DIN / USB 纜線。
- 將 TH8A 變速器連接到 PC 的某個 USB 埠上。
- 連接到 PC 後，TH8A 變速器是一種隨插即用設備，可被系統自動偵測並安裝。
- 隨後，此設備將會以「T500 RS Gear Shift」的形式出現在 Windows® 控制台中。
- 按一下「內容」，測試並檢視設備的功能。
- 開始遊戲。

現在即可開始競速了！

(\*) **針對 PC 的重要建議**（僅適用於使用內建變速器接頭的 Thrustmaster 賽車方向盤的情形）

- 使用 TH8A 變速器的序列式 (+/-) 變速盤時，您也可以使用可分離式 DIN/DIN 纜線將變速器連接到賽車方向盤背面。隨後，將 TH8A 變速器連接到賽車方向盤的上 (= 2) 換擋撥片和下 (= 1) 換擋撥片。

使用此賽車方向盤時，TH8A 變速器的序列式 (+/-) 變速盤支援所有相容該賽車方向盤的 PC 競速遊戲。

- 有些遊戲支援同時使用兩個 TH8A 變速器：

- 一個帶有一個 H 模式 (7+1) 變速盤的 TH8A 變速器，連接到 PC 的 USB 埠上
- + 一個帶有序列式 (+/-) 變速盤的 TH8A 變速器，連接到賽車方向盤的背部

\* 在 PC 上，Thrustmaster 變速器相容於：

- 所有支援多 USB 和變速器的遊戲。
- 所有市售方向盤。

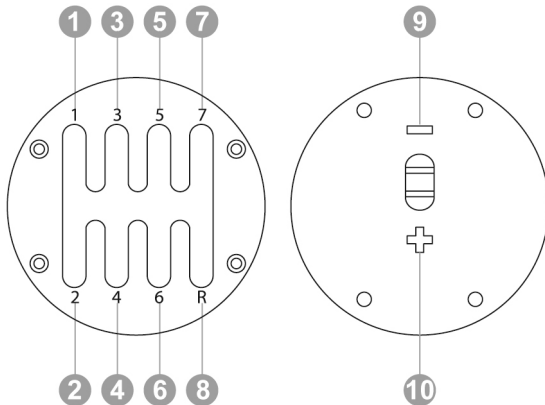
\* 我們建議將賽車方向盤和 TH8A 變速器直接連接到 PC 的 USB 2.0（而不是 USB 3.0）埠上，而不是透過集線器連接。

\* 對於某些 PC 遊戲，為使 TH8A 變速器正常工作，您必須安裝最新的遊戲更新。

\* 對於某些 PC 遊戲（為避免在方向盤和 TH8A 變速器之間出現任何衝突），可能有必要：

- 不將任何功能映射到方向盤的齒輪換擋撥片。
- 啟用「按住按鈕進行換擋」功能。

## 在 PC 上進行映射



## 套裝軟體

此處可下載適用於 PC 的套裝軟體：

<https://support.thrustmaster.com>。按一下 Racing Wheels（賽車方向盤）/ TH8A Shifter（TH8A 變速器），然後選取 Drivers（驅動程式）。

- 在安裝此套裝軟體之後，您將能夠：

- \* 檢查 TH8A 變速器的韌體版本。
- \* 將韌體更新為最新版本（如有必要）。
- \* 使用「BOOTLOADER 方法」（以便在遺失韌體時還原變速器）。
- \* 在 PC 上存取自訂控制台（遊戲控制器）。
- \* 在 PC 上，享受 ANALOG（類比）模式（手刹）

## 進階校準軟體

TH8A 可自動執行齒輪換擋校準。

亦可在此處下載適用於 PC 的進階校準軟體：<https://support.thrustmaster.com>。按一下 Racing Wheels（賽車方向盤）/ TH8A Shifter（TH8A 變速器），然後選取 Software（軟體）。透過該軟體，您可以調節齒輪換擋的行程，使之方便您的操作。

完成設定後，這些設定會被立即儲存到齒輪變速器的記憶體中（可用於 PS4™/PS5™、Xbox One/Xbox Series 和 PC）。

## 關於將 TH8A 變速器連接到各種系統的總結說明

	連接 TH8A 變速器
PS4™	視遊戲或賽車方向盤而定 (*): - 直接連接到 PS4™/PS5™ 系統 (USB) - 或者連接到賽車方向盤的背部 (DIN)
PS5™	始終連接到賽車方向盤的背部 (DIN)
Xbox One/Xbox Series	始終連接到賽車方向盤的背部 (DIN)
PC	始終 (*) 連接到 PC (USB)

(\*) 有關各種例外情形的詳細資訊，請參考本手冊相關頁面中的**重要建議**部分。

### 警告

\* 切勿將 TH8A 變速器直接連接到除 Thrustmaster 賽車方向盤以外的任何設備上，即使該設備帶有完全相同的 DIN 接頭。否則，可能會損壞 TH8A 變速器或所連接的設備。

### 故障檢修

\* 我的變速器運作不正常，或可能校準不當：

- 關閉電腦或主機，斷開與變速器的連接；然後重新連接變速器，並重啟遊戲。
- 在遊戲中，在「Options/Controller」（選項/控制器）下面，選取或設定最合適的配置。
- 有關詳細資訊，請參閱遊戲的使用者手冊或線上說明。

- （此手冊中未介紹的）各種說明主題和提示以及相容遊戲列表等資源可在 <https://support.thrustmaster.com> 網站上找到。按一下 Racing Wheels（賽車方向盤）/ TH8A Shifter（TH8A 變速器）。

- 在 Xbox One/Xbox Series 上，為確保 Thrustmaster Xbox One/Xbox Series 賽車方向盤與 TH8A 變速器的相容性，您可能需要透過 PC 瀏覽以下網址，將該賽車方向盤的韌體更新至最新版本：<https://support.thrustmaster.com>。按一下 Racing Wheels（賽車方向盤）/ TH8A Shifter（TH8A 變速器），然後選取 Firmware（韌體）。

## 著作權聲明

© 2021 Guillemot Corporation S.A. 保留所有權利。Thrustmaster® 是 Guillemot Corporation S.A. 的註冊商標。PlayStation® 是 Sony Interactive Entertainment, Inc. 的註冊商標。Microsoft® Windows® 是 Microsoft Corporation 在美國和/或其他國家/地區的註冊商標。所有其他商標均為其各自所有者的資產。插圖不具約束力。內容、設計和規格可能因國家/地區而異，並可能隨時出現變更，恕不另行通知。中國製造。

## 環保建議

有關離您最近的收集點的資訊，請連絡您當地的相關機構。  
請遵守當地電氣電子設備的回收法律。

請保留此資訊。顏色和裝飾風格可能會有不同。  
在使用本產品之前，應先取下塑膠緊固件並撕掉膠帶。

[www.thrustmaster.com](http://www.thrustmaster.com)



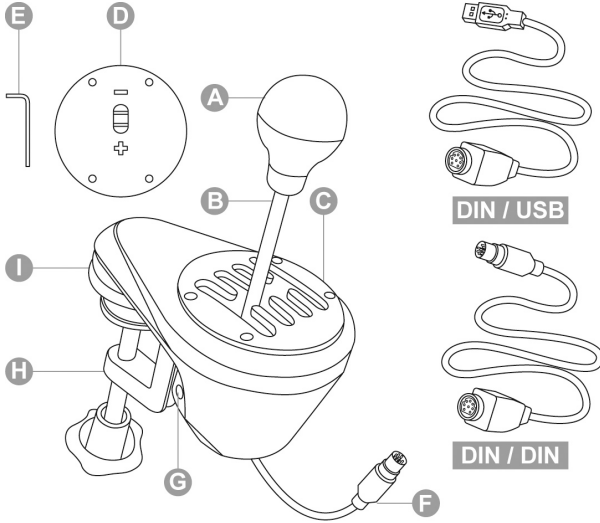
**THRUSTMASTER®**

技術支援

<https://support.thrustmaster.com>



## PlayStation®4/PlayStation®5, Xbox One/Xbox Series, PC 용 사용설명서



### 기술적 특징

- A** 탈착식 기어 시프트 손잡이  
(기본적으로 설치되어 있지 않음)
- B** 스틱
- C** 조절 가능한 "H 패턴(7+1)"  
시프트 플레이트 (기본값으로 설치)
- D** 조절 가능한 "시퀀셜(+/-)" 시프트  
플레이트  
(기본적으로 설치되어 있지 않음)
- E** 2.5 mm 앨런 키(포함)

- F** 케이블 및 DIN 커넥터
- G** 내부 장력 나사
- H** 조절 가능한 클랭핑 시스템
- I** 조종석 장착용 "나사산"

**DIN / USB:** 탈착식 DIN / USB  
케이블

**DIN / DIN:** 탈착식 DIN / DIN 케이블



## 경고

사용설명서를 주의 깊게 읽은 후 본 제품을 사용하시기 바랍니다. 나중에 참조할 수 있도록 이 설명서를 잘 보관하십시오.



### **경고 - 전기 충격**

- \* 본 제품은 건조한 장소에 보관해야 하며, 먼지나 태양광선에 노출시키지 마십시오.
- \* 올바른 방향으로 커넥터에 삽입하십시오.
- \* 커넥터 및 케이블을 비틀거나 잡아 당기지 마십시오.
- \* 본 제품이나 제품의 커넥터에 액체를 흘리지 마십시오.
- \* 제품을 단락(합선)시키지 마십시오.
- \* 본 제품을 분해하거나(본 설명서에서 기술하는 조절 가능한 사항 제외), 제품을 불에 태우거나, 또는 제품을 고온에 노출시키지 마십시오.



### **경고 - 반복 작업으로 인한 부상**

시프터를 가지고 장난을 치면 근육 및 관절 통증이 일어날 수 있습니다. 이러한 문제를 예방하려면 다음 사항을 준수하십시오:

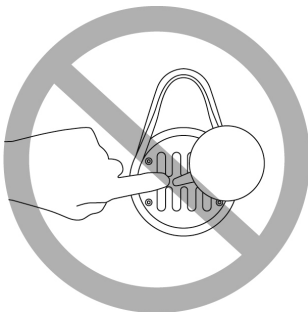
- \* 장시간 게임하지 마십시오.
- \* 게임 중 한 시간당 10 ~ 15분 정도 휴식을 취하십시오.
- \* 손, 손목 또는 팔에 피로감이나 통증이 느껴지는 경우에는 게임을 중단한 후 두 세 시간 정도 휴식을 취한 다음, 다시 게임을 진행하십시오.
- \* 게임을 다시 시작할 때 위에 설명한 증상이나 통증이 계속되는 경우에는 게임을 중단한 후 의사와 상담하십시오.
- \* 본 설명서에서 나타난 지시사항에 따라 시프터 베이스가 제자리에 장착되었는지 확인하십시오.



### **경고 - 시프트 플레이트 구멍 손가락 끼임 위험**

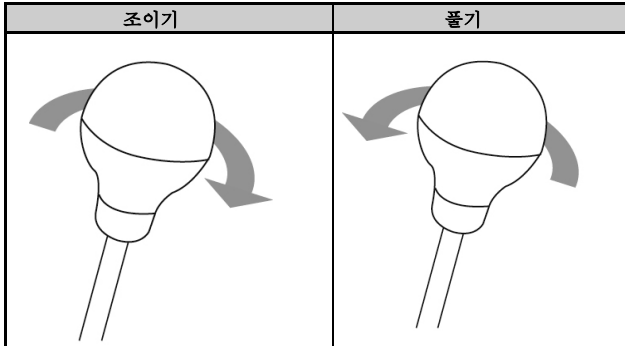
- \* 어린이의 손이 닿지 않는 곳에 보관하십시오.
- \* 게임 시 시프트 플레이트의 구멍에 절대로 손가락(또는 기타 신체 부위)을 넣지 마십시오.

## 절대 금지



## 기어 시프트 손잡이 설치

1. 기어 시프트 손잡이(A) 를 스틱(B)에 고정시키기 위해: 기어 시프트 손잡이를 시계 방향으로 돌립니다.
2. 기어 시프트 손잡이를 풀기 위해: 손잡이를 반시계 방향으로 돌립니다.



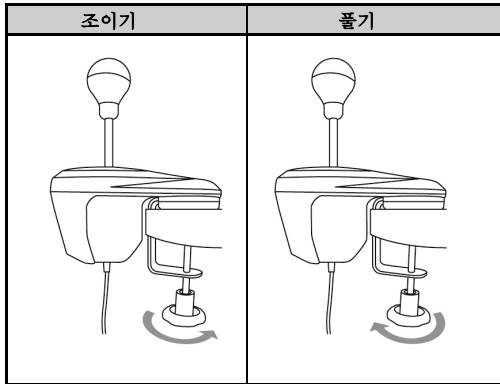
## 시프터 장착

시프터 장착은 모든 유형의 지지대에 최적화되어 있습니다.

- 1 ~ 55mm 두께의 **테이블**, **책상** 또는 **선반**, 클램핑 시스템(H)을 통해 장착
- **조종석내장 "나사산"**을 통해 장착(클램핑 시스템 탈착 가능)

### 테이블 또는 책상에 시프터 장착하기

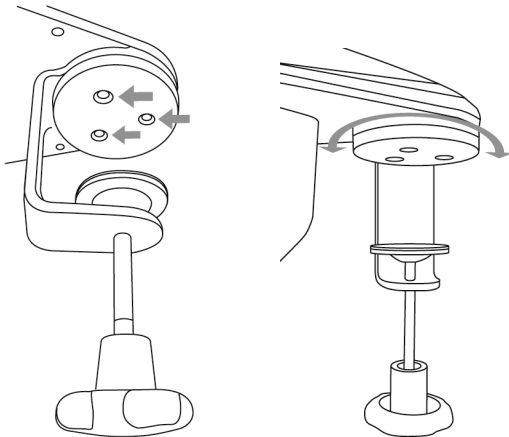
1. 시프터 노즈를 테이블 또는 기타 평평한 표면에 놓습니다.
2. 클램핑 핸들을 반시계 방향으로 돌려 조입니다.
3. 클램핑 핸들을 시계 방향으로 돌려 풀니다.



### 클램핑 시스템 위치잡이 및 회전(360°까지 조절 가능)

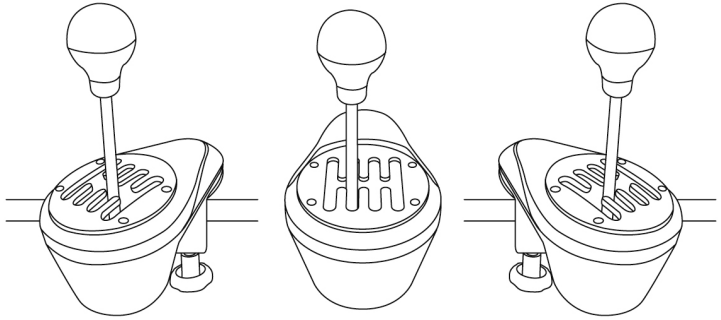
1. 제품에 포함된 2.5 mm 앨런 키(E)로 클램핑 시스템(H)을 제자리에 고정시키는 나사 3 개를 아주 살짝 풀니다.

이제 클램핑 시스템(및 전체 시프터)을 360°까지 수동으로 회전시킬 수 있습니다.



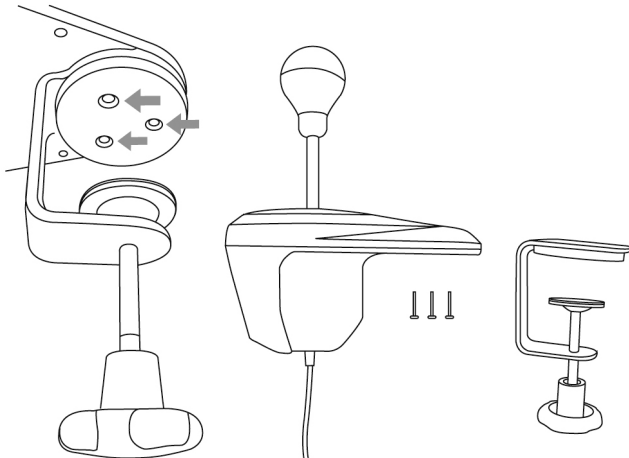
2. 360° 회전을 따라 원하는 위치를 선택합니다(다양한 선택 가능한 위치 중 아래에는 3 가지 예시를 나타냄).

그 다음, 클램핑 시스템을 제자리에 고정시키는 나사 3 개를 다시 조입니다.

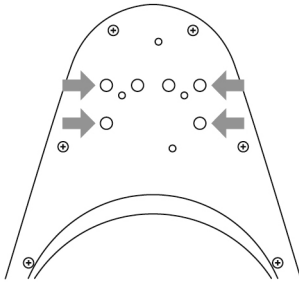


## 조종석에 시프터 장착하기

1. 제품에 포함된 2.5mm 앨런 키(E)를 사용하여 클램핑 시스템(H)을 제자리에 고정시키는 나사 3 개를 **완전히 풀어 제거합니다** 시프터에서 클램핑 시스템을 분리합니다.



2. 클램핑 시스템을 제거한 후, "M6" 나사(미포함) 2 개를 조종석 선반과 시프터 노즈 밑에 위치한 4 개의 작은 "나사산"(I) 중 2 개에 고정시킵니다.

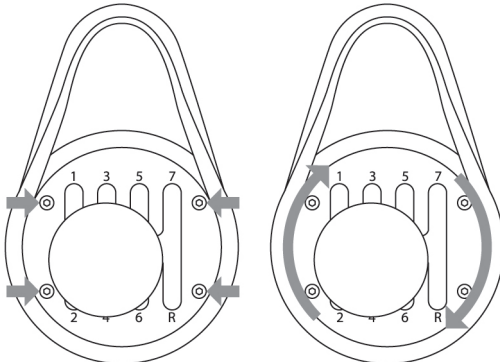


**길이가 너무 긴 “M6” 나사를 사용하지 마십시오. 시프터 노즈의 윗부분이 풀리거나 손상될 수 있습니다.**

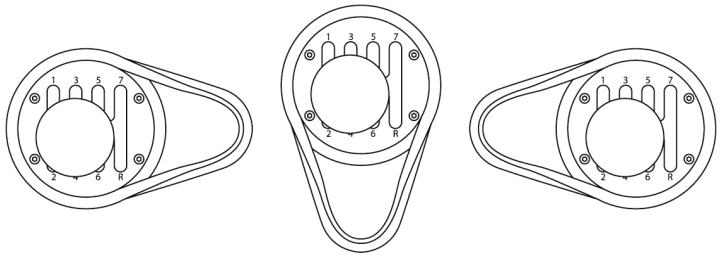
조종석용 시프터 장착 템플릿은 <https://support.thrustmaster.com>에서 확인할 수 있습니다. 레이싱 핸들 / TH8A 시프터를 클릭한 다음, 설명서를 선택하십시오.

### 시프트 플레이트 위치잡이 및 회전(360°까지 조절 가능)

1. 제품에 포함된 2.5 mm 앨런 키(E)를 사용하여 시프트 플레이트(C 또는 D) 약간 풀니다를 제자리에 .  
이제 시프트 플레이트를 360°까지 수동으로 회전시킬 수 있습니다.



2. 360° 회전을 따라 원하는 위치를 선택합니다(다양한 선택 가능한 위치 중 아래에는 3 가지 예시를 나타냄).

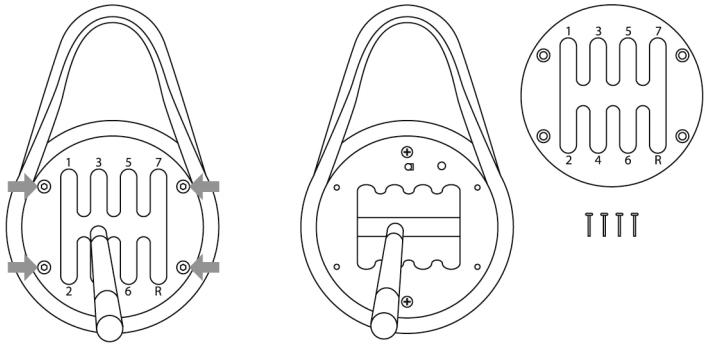


3. 시프트 플레이트를 제자리에 고정시키는 나사 4 개를 다시 조입니다.

## “H 패턴(7+1)” 시프트 플레이트를 “시퀀셜(+/-)” 시프트 플레이트로 전환

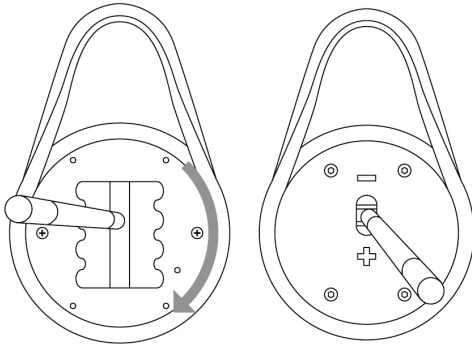
### 1. 기어 시프트 손잡이(A)

2. 제품에 포함된 2.5mm 앨런 키(E)를 사용하여 “H 패턴(7+1)” 시프트 플레이트를 제자리에 고정시키는 나사 4 개를 **완전히 푼 후 제거합니다**. 시프트 플레이트를 제거합니다.

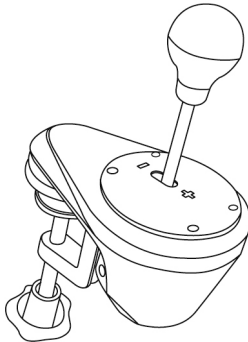


**이 과정 중 나사가 실수로 내부 메커니즘 안으로  
떨어지지 않도록 주의하십시오.**

3. 수동으로 내부 구조를 오른쪽으로 90° 회전시킵니다(시계 방향).  
그 다음, “시퀀셜(+/-)” 시프트 플레이트를 설치합니다.

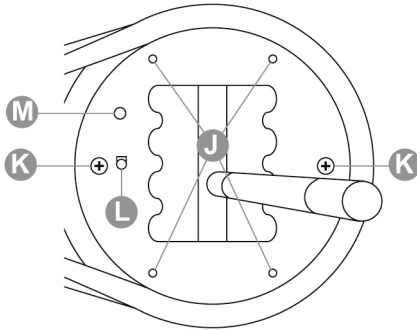


4. 제품에 포함된 2.5mm 앨런 키(E)를 사용하여 “시퀀셜(+/-)” 시프트 플레이트를 제자리에 고정시키는 나사 4 개를 완전히 다시 조입니다. 기어 시프트 손잡이를 다시 (시계 방향으로) 고정시킵니다.



이 과정을 반대로 수행하여 “H 패턴(7+1)” 시프트 플레이트

## 내부 구조물 상부 커버 관련 참고:



**J:** 시프트 플레이트(**C 또는 D**)에 부착하는 “나사산” 4 개

**K:** 내부 구조물을 제자리에 고정시키는 나사 2 개(나사를 풀지 말 것)

**L:** 사용하는 시프트 플레이트의 유형(**C 또는 D**)을 자동으로 감지하는 버튼. “시퀀셜(+/-)” 시프트 플레이트 설치 시 **자동으로** 눌립니다. 감지 문제를 예방하기 위해 이 구역을 깨끗하게 유지하십시오.

**M:** 시프트 플레이트의 위치를 쉽게 잡기 위한 슬롯



## 기어 시프트 저항 조절

- \* “H 패턴(7+1)” 시프트 플레이트에만 적용됩니다.
- \* 조절하기 전에 “H 패턴(7+1)” 시프트 플레이트를 **반드시** 원래의 위치에 설치해야 합니다(아래 다이어그램 참조).



1. 넓은 편평 헤드 스크루 드라이버를 사용하여 시프터 하우징 왼쪽 하단부에 위치한 내부 장력 나사(G)의 헤드에 스크루 드라이버를 놓습니다.
2. 저항을 약간 높이기 위해: 나사를 시계 방향으로 돌립니다.
3. 저항을 약간 낮추기 위해: 나사를 반시계 방향으로 돌립니다.

저항 높이기	저항 낮추기

완전히 2 회전하면 한쪽 끝에서 반대쪽까지 이동하기에 충분합니다.



### 시스템 손상을 방지하기 위해

- 강한 저항이 느껴지면 나사 조이기를 멈추십시오.
- 스틱이 헐거워지거나 흔들리는 경우에는 나사 풀기를 멈추십시오.

## 게임 콘솔 설정 지침

### PLAYSTATION®4/PLAYSTATION®5

사용 중인 PS4™/PS5™ 게임 또는 레이싱 핸들에 따라

**PS4™ = TH8A 시프터를 PS4™ USB 포트에 직접 연결합니다(\*).**

- TH8A 시프터의 DIN 커넥터를 DIN / USB 케이블에 연결합니다.
- TH8A 시프터를 PS4™ USB 포트에 연결합니다.
- 게임을 시작합니다.

그런 다음, TH8A 시프터를 다른 H 패턴(7+1) 또는 시퀀셜(+/-) 시프트 플레이트 중 하나와 작동시킵니다.

또는

**PS4™/PS5™ = TH8A 시프터를 Thrustmaster 레이싱 핸들 베이스에 직접 연결합니다(\*).**

(Thrustmaster 레이싱 핸들에 내장 시프터 커넥터가 있는 경우에만 해당)

- TH8A 시프터 DIN 커넥터를 DIN / DIN 탈착식 케이블에 연결합니다.
- TH8A 시프터를 레이싱 핸들 베이스의 뒷면에 위치한 시프터 커넥터에 연결합니다.
- 레이싱 핸들을 연결한 다음, 게임을 시작합니다.

그런 다음, TH8A 시프터를 다른 H 패턴(7+1) 또는 시퀀셜(+/-) 시프트 플레이트 중 하나와 작동시킵니다.

**(\* PS4™/PS5™ 시스템에 해당하는 주요 권장사항** (내장 시프터 커넥터 기능이 있는 Thrustmaster 레이싱 핸들을 이용하는 경우에만 해당)

- **PS4™/PS5™: TH8A 시프터의 시퀀셜(+/-) 시프트 플레이트를 사용하는 경우에는 탈착식 DIN / DIN 케이블을 사용하여 레이싱 핸들 뒷면에 있는 시프터를 연결할 수도 있습니다.** TH8A 시프터는 레이싱 핸들의 UP(= R1) 및 DOWN(= L1) 패들 시프터에 연결됩니다.

이 레이싱 핸들을 사용하는 TH8A 시프터의 시퀀셜(+/-) 시프트 플레이트는 레이싱 핸들과 호환 가능한 PS4™/PS5™ 레이싱 게임에서 100% 작동합니다.

- **PS4™:** 일부 게임에서는 2 개의 TH8A 시프터를 동시에 사용할 수 있습니다. H 패턴(7+1) 시프트 플레이트가 있는 TH8A 시프터 1 개는 PS4™ USB 포트™에 연결 + 시퀀셜(+/-) 시프트 플레이트가 있는 TH8A 시프터 1 개는 레이싱 핸들 뒷면과 연결

**\* TH8A 시프터와 호환 가능한 PS4™/PS5™ 게임 목록 및 관련 연결 지침(\*)** (게임에 따라 다름)은 여기에서 확인할 수 있습니다:

<https://support.thrustmaster.com> 레이싱 핸들 / TH8A 시프터를 클릭한 다음, 게임 설정을 선택합니다. 이 목록은 정기적으로 업데이트됩니다.

**\* PS4™ 시스템에서 레이싱 핸들 또는 TH8A 시프터 연결 시 USB 허브를 사용하지 않을 것을 권장합니다.** 장치를 PS4™ USB 포트에 직접 연결하십시오.

**\* 일부 게임에서는 TH8A 시프터의 최신 버전을 설치해야 정상적으로 작동합니다(게임 콘솔이 인터넷과 연결되어 있어야 합니다).**

## XBOX ONE/XBOX SERIES 용

= 모든 Xbox One/Xbox Series 게임에서는 항상 TH8A 시프터를 Thrustmaster 레이싱 핸들 베이스에 직접 연결합니다(절대로 게임 콘솔의 USB 포트에 연결하지 마십시오).

- TH8A 시프터 DIN 커넥터를 DIN / DIN 탈착식 케이블에 연결합니다.
- TH8A 시프터를 레이싱 핸들 베이스 뒷면에 위치한 시프터 커넥터에 연결합니다.
- 레이싱 핸들을 연결한 다음, 게임을 시작합니다.

그런 다음, TH8A 시프터를 다른 H 패턴(7+1) 또는 시퀀셜(+/-) 시프트 플레이트 중 하나와 작동시킵니다.

### Xbox One/Xbox Series 관련 주요 참고:

TH8A 시프터 시퀀셜(+/-) 시프트 플레이트 사용 시, 시프터는 레이싱 핸들의 UP(= RB) 및 DOWN(= LB) 패들 시프터에 연결됩니다.

TH8A 시프터 시퀀셜(+ /-) 시프트 플레이트 사용 시, TH8A 시프터는 Xbox One/Xbox Series Thrustmaster 레이싱 핸들과 호환 가능한 Xbox One/Xbox Series 용 레이싱 게임에서 100% 작동합니다.

\*TH8A 시프터와 호환 가능한 Xbox One/Xbox Series 게임 목록은 여기서 확인할 수 있습니다:

<https://support.thrustmaster.com>. 레이싱 핸들 / TH8A 시프터를 클릭한 다음, 게임 설정을 선택합니다. 이 목록은 정기적으로 업데이트됩니다.

\* 일부 게임에서는 TH8A 시프터의 최신 버전을 설치해야 정상적으로 작동합니다(게임 콘솔이 인터넷과 연결되어 있어야 합니다).



TH8A 시프터가 있는 Xbox One/Xbox Series 용 Thrustmaster 레이싱 핸들의 호환성을 보장하기 위해 PC를 통해 레이싱 핸들의 펌웨어를 최신 버전으로 업데이트해야 할 수 있습니다. <https://support.thrustmaster.com>. 레이싱 핸들 / TH8A 시프터를 클릭한 다음, 펌웨어를 선택합니다.

## PC 용 설정 지침

= 모든 PC 게임(\*)에서는 항상 TH8A 시프터를 PC USB 포트에 직접 연결합니다.

- TH8A 시프터의 DIN 커넥터를 DIN / USB 케이블에 연결합니다.
- TH8A 시프터를 PC USB 포트에 연결합니다.
- PC 연결 시, TH8A 시프터는 플러그 앤드 플레이 장치이며 자동으로 감지 및 설치됩니다.
- 그 후 장치가 Windows® 제어판에 'T500 RS Gear Shift'.
- 속성을 클릭하여 장치 기능을 시험 및 확인합니다.
- 게임을 시작합니다.

이제 레이싱 준비가 되었습니다!

(\*) **PC 관련 주요 권장사항** (내장 시프터 커넥터 기능이 있는 Thrustmaster 레이싱 핸들을 사용하는 경우에만 해당)

- TH8A 시프터의 시퀀셜(+/-) 시프트 플레이트를 사용하는 경우에는 탈착식 DIN / DIN 케이블을 사용하여 레이싱 핸들 뒷면에 있는 시프터를 연결할 수도 있습니다. TH8A 시프터가 레이싱 핸들의 UP(= 2) 및 DOWN(= 1) 패들 시프터에 연결됩니다. 이 레이싱 핸들을 사용하는 TH8A 시프터 시퀀셜(+ /-) 시프트 플레이트는 레이싱 핸들과 호환 가능한 PC 용 레이싱 게임에서 100% 작동합니다.
- 일부 게임에서는 **2 개의 TH8A 시프터를 동시에 사용할 수 있습니다.**  
H 패들(7+1) 시프트 플레이트가 있는 TH8A 시프터 1 개는 PC USB 포트와 연결  
+ 시퀀셜(+/-) 시프트 플레이트가 있는 TH8A 시프터 1 개는 레이싱 핸들 뒷면과 연결

\* PC 에서 Thrustmaster 시프터는 다음과 같이 호환 가능합니다.

- 멀티 USB 및 시프터를 지원하는 모든 게임.
- 시중 모든 핸들.

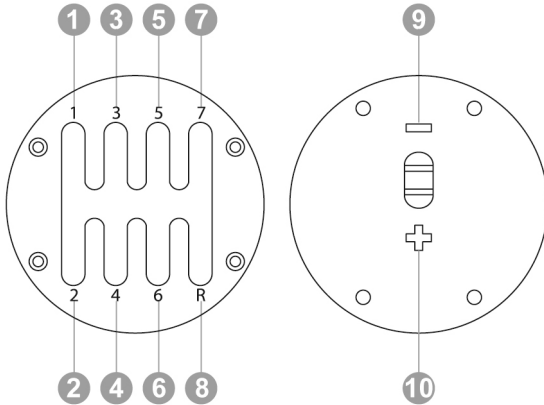
\* 레이싱 핸들 및 TH8A 시프터를, 허브를 사용하지 않고 PC USB 2.0 포트(USB 3.0 아님)에 직접 연결할 것을 권장합니다.

\* 일부 PC 게임의 경우, **반드시** 최신 버전의 게임을 설치해야 TH8A 시프터가 제대로 작동하게 됩니다.

\* 일부 PC 게임의 경우, (핸들과 TH8A 시프터의 충돌을 방지하기 위해) 다음 사항이 필요할 수도 있습니다.

- 핸들 기어 시프트 패달에 아무 것도 매핑해서는 안 됩니다.
- “기어 유지 버튼” 기능을 활성화해야 합니다.

## PC 매핑



## 소프트웨어 패키지

PC 용 소프트웨어 패키지는 다음 웹사이트에서 이용할 수 있습니다.

<https://support.thrustmaster.com>. 레이싱 핸들 / TH8A 시프터를 클릭한 다음, 드라이버를 선택합니다.

- 소프트웨어 패키지 설치 후:

- \* TH8A 시프터 펌웨어 버전을 확인할 수 있습니다.
- \* 최신 버전의 펌웨어로 업데이트할 수 있습니다(필요시).
- \* “부트로더 방법”을 사용할 수 있습니다(펌웨어 손실 시 시프터 복구).
- \* PC 에서 맞춤형 제어판(게임 컨트롤러)을 이용할 수 있습니다.
- \* PC 에서 아날로그 모드(핸드 브레이크)를 이용할 수 있습니다.

## 고급 교정 소프트웨어

TH8A 기어 시프트 보정이 자동으로 이루어집니다.

PC 용 고급 교정 소프트웨어 애플리케이션은 여기에서 이용할 수 있습니다.  
<https://support.thrustmaster.com>. 레이싱 핸들 / TH8A 시프터를 클릭한 다음,  
소프트웨어를 선택합니다. 편의에 따라 기어 시프트 이동 거리를 조절할 수 있습니다.

설정이 완료되면 내부 기어 시프트 메모리에 즉시 저장됩니다(PS4™/PS5™, Xbox One/Xbox Series 및 PC 에서 이용 가능).

## TH8A 시프터와 다양한 시스템 간 연결 지침 요약

	TH8A 시프터 연결
PS4™	게임 또는 레이싱 핸들에 따라 (*) : - PS4™/PS5™ 시스템(USB)에 직접 - 또는 레이싱 핸들 뒷면(DIN)
PS5™	항상 레이싱 핸들 뒷면(DIN)
XBOX ONE/XBOX SERIES	항상 레이싱 핸들 뒷면(DIN)
PC	항상(*) PC 에 직접(USB)

(\*) 예외 사항에 관한 정보는 설명서의 관련 페이지에 나와 있는 **주요 권장사항**을 참조하십시오.

## 경고

\* 장치가 DIN 커넥터와 동일한 기능을 하더라도 TH8A 시프터를 Thrustmaster 레이싱 핸들 외 그 어떠한 장치에도 직접 연결하지 마십시오. TH8A 시프터 또는 기타 장치가 손상될 수 있습니다.

## 문제 해결

\* 시프터가 제대로 작동하지 않거나 제대로 보정되지 않은 것 같습니다.

- 컴퓨터 또는 콘솔의 전원을 끄고 시프터 연결을 해제한 후, 다시 연결한 다음 게임을 재시작합니다.
- 게임의 "옵션/컨트롤러"에서 가장 적합한 구성을 선택 또는 설정합니다.
- 더 자세한 내용은 해당 게임의 사용설명서 또는 온라인 도움말을 참조하십시오.
- 다양한 도움말 주제 및 팁(본 설명서에 포함되지 않음), 호환 가능한 게임 목록 등은 웹사이트 <https://support.thrustmaster.com> 에서 확인할 수 있습니다. 레이싱 핸들 / TH8A 시프터를 클릭합니다.
- Xbox One/Xbox Series 에서 TH8A 시프터가 있는 Xbox One/Xbox Series 용 Thrustmaster 레이싱 핸들의 호환성을 보장하기 위해서는 PC 를 통해 레이싱 핸들의 펌웨어를 최신 버전으로 업데이트해야 할 수도 있습니다. <https://support.thrustmaster.com>. 레이싱 핸들 / TH8A 시프터를 클릭한 다음, 펌웨어를 선택합니다.

## COPYRIGHT

© 2021 Guillemot Corporation S.A. 모든 권리 보유. Thrustmaster®는 Guillemot Corporation S.A., PlayStation®은 Sony Interactive Entertainment, Inc., Microsoft® Windows®는 미국 및/또는 기타 국가 내 Microsoft Corporation의 등록 상표입니다. 다른 모든 상표는 해당 소유자의 자산입니다. 도면은 법적 구속력이 없습니다. 설명서의 내용, 설계 및 사양은 예고 없이 변경될 수 있으며, 국가마다 다르게 적용될 수 있습니다. 제조국: 중국

## 환경 보호 권장 사항

가까운 수집소에 관한 정보는 지방 당국에 문의하시기 바랍니다.  
전기 및 전자 장비에 관한 현지의 재활용 법률을 준수해 주십시오.

이 설명서를 보관하십시오. 색상 및 장식이 상이할 수 있습니다.  
플라스틱 고정부품 및 접착제는 제품 사용 전에 제거해야 합니다.

[www.thrustmaster.com](http://www.thrustmaster.com)



MSIP-REI-MF0-  
TH8AADD-ON

**THRUSTMASTER®**

기술 지원

<https://support.thrustmaster.com>

