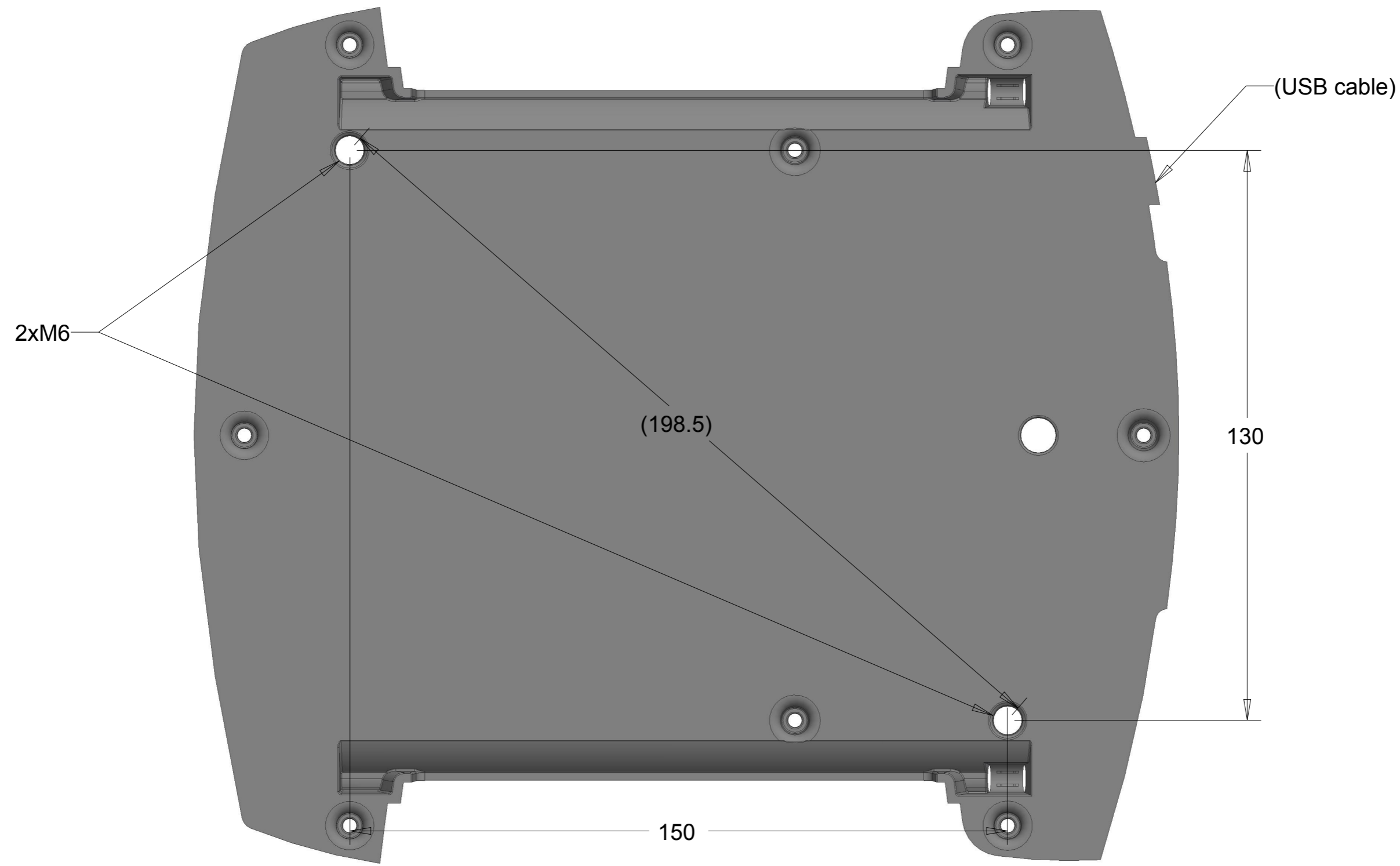


VERSIONS	
A	2016-07-03



MATERIAL N/A	DRAWN BY THRUSTMASTER	DATE 2016-07-03	GUILLEMOT CORPORATION HERCULES THRUSTMASTER		
DIMENSIONAL TOLERANCES UNLESS OTHERWISE SPECIFIED MILLIMETERS ±1.0mm	CHECKED BY	DATE			NAME
<p>FIRST ANGLE PROJECTION</p>	APPROVALS		DWG NO.	SIZE	
	MASSE	N/A	PLAN	SCALE 1.000	SHEET 1 OF 1
			TWCS-Cockpit-set-up		A3