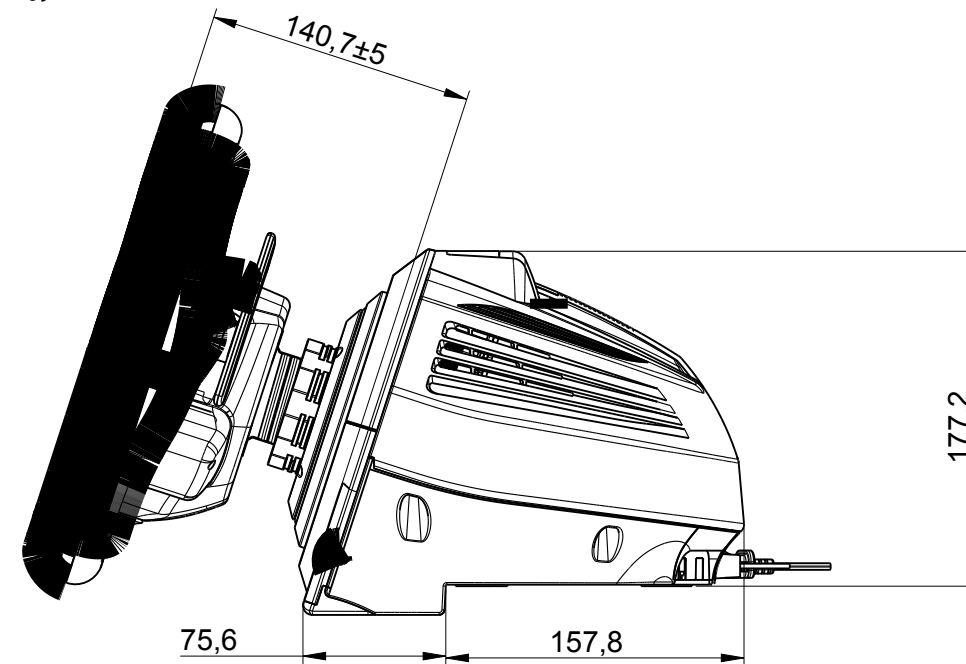
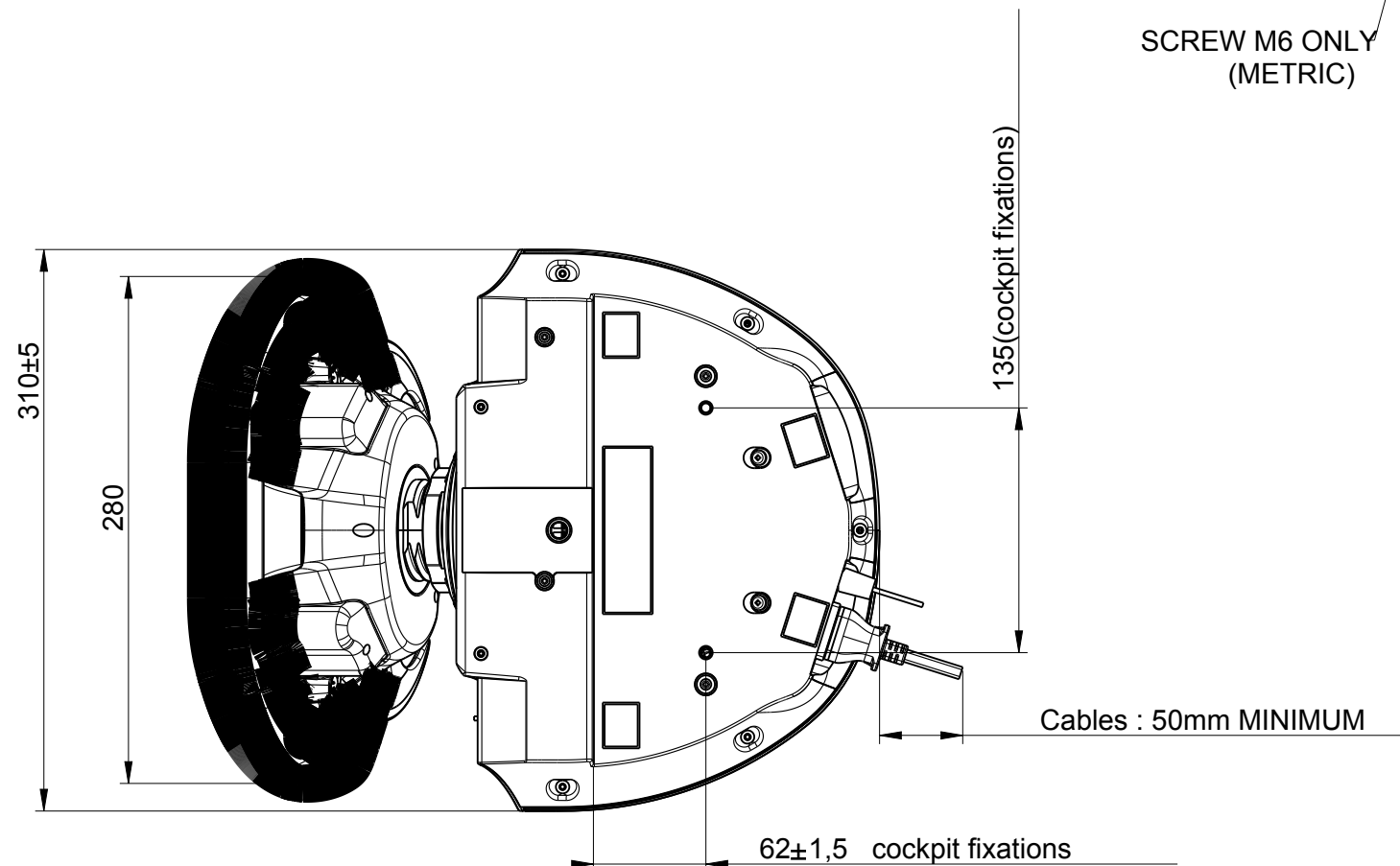
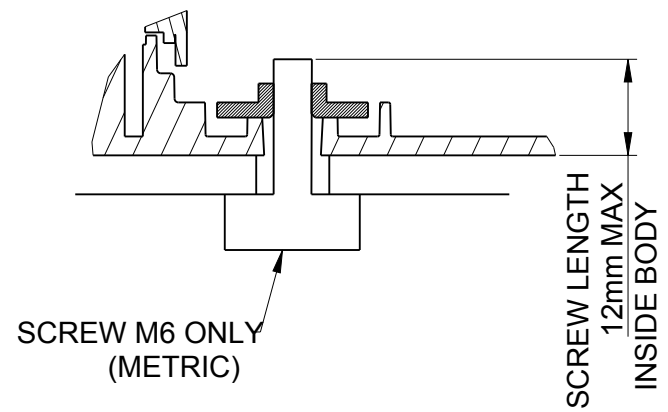


VERSIONS	
A	INITIAL

SECTION NUTS-COCKPIT-NUTS-COCKPIT
SCALE 1:1



MATERIAL	DRAWN BY guillemot	DATE 2013-10-14	GUILLEMOT CORPORATION HERCULES THRUSTMASTER	
DIMENSIONAL TOLERANCES UNLESS OTHERWISE SPECIFIED □ MILLIMETERS □ □ ±3mm □ □ □ □	CHECKED BY	DATE 2013-10-14		
<p>FIRST ANGLE PROJECTION</p>	APPROVALS		DWG NO.	SIZE
	MASSE		TX-COCKPIT-FIXATION	A3
	PLAN		SCALE 1:4	SHEET 1 OF 1